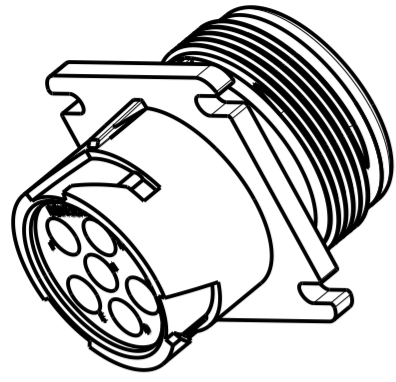
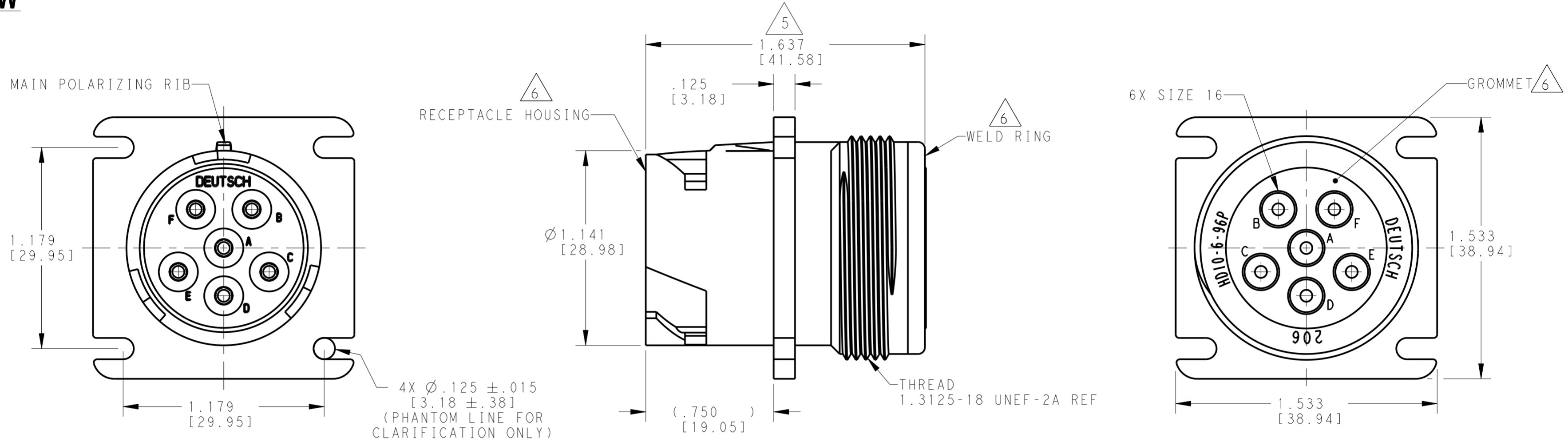


| REVISIONS |      |    |     |                           |           |       |
|-----------|------|----|-----|---------------------------|-----------|-------|
| LOC       | DIST | P  | LTR | DESCRIPTION               | DATE      | APVD  |
| -         | -    | H  |     | REVISED PER E.O. P17744   | 11DEC2002 | RDR   |
|           |      | J  |     | REVISED PER E.O. P19419   | 11DEC2006 | RDR   |
|           |      | K  |     | REVISED PER E.O. P21366   | 4JUN2012  | RDR   |
|           |      | K1 |     | REVISED PER ECO-14-002953 | 29JAN2014 | PV DM |



**3-D VIEW**



- 6. MATERIAL:  
RECEPTACLE HOUSING AND WELD RING: PA 15%GF (GREY)  
GROMMET: SILICONE (RED)
- 5. OVERALL DIMENSION DOES NOT INCLUDE RUBBER GROMMET.
- 4. THIS RECEPTACLE MATES WITH FOLLOWING PLUG (X= SEAL TYPE, XXXX= ALL MODIFICATIONS).  
HD16-6-96SX-XXXX
- 3. SEE DRAWING 0425-015-0000 FOR CONTACT AND WIRE PERFORMANCE AND APPLICATION CHARACTERISTICS.
- 2. MAXIMUM PANEL THICKNESS IS .250 [6.35].
- 1. SEE TABLE FOR USABLE WIRE RANGE AND INSULATION RANGE.

| CONTACT SIZE | MINIMUM O.D. | MAXIMUM O.D. | WIRE RANGE [mm <sup>2</sup> ] |
|--------------|--------------|--------------|-------------------------------|
| 16           | .100 [2.54]  | .150 [3.81]  | 14-20 AWG [2.0-.50]           |

NOTES:

THIS DRAWING IS A CONTROLLED DOCUMENT.

|                         |  |                               |   |
|-------------------------|--|-------------------------------|---|
| DIMENSIONS: INCHES [mm] | TOLERANCES UNLESS OTHERWISE SPECIFIED: | DWN R. OCHOA 18SEP1998        | TE Connectivity   |
|                         | 0 PLC $\pm$                            | CHK I. GRANTCHAROVA 16SEP2013 |   |
|                         | 1 PLC $\pm$                            | APVD D. MEYER 18SEP2013       |   |
|                         | 2 PLC $\pm$                            | NAME                          |   |
| MATERIAL                | FINISH                                 | PRODUCT SPEC                  | RECEPTACLE CONNECTOR SQUARE FLANGE HD10 SERIES ARR. 6-96 COLOUR: GREY |
|                         |  | APPLICATION SPEC              | SIZE CAGE CODE DRAWING NO   |
|                         |  | WEIGHT 34.55 (g)              | A200779 C-HD10-6-96P  |
|                         |  | Customer Drawing              | RESTRICTED TO   |
|                         |  | SCALE 2:1                     | SHEET 1 OF 1  |
|                         |  |                               | REV K1  |