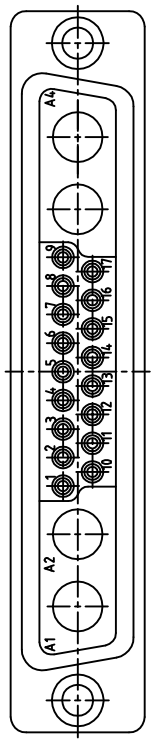
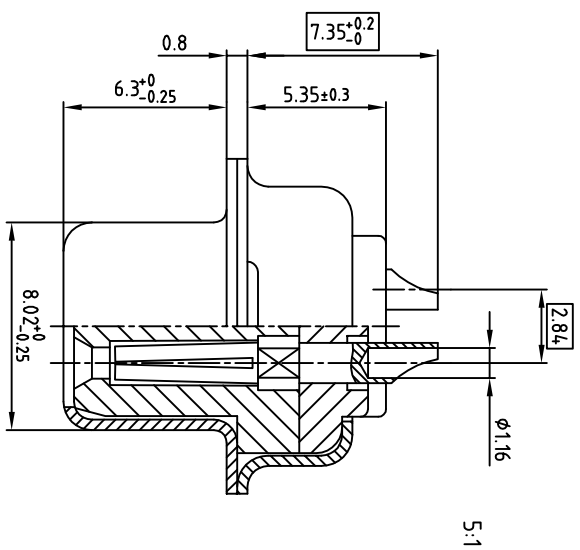
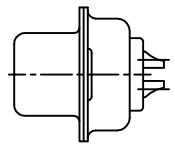
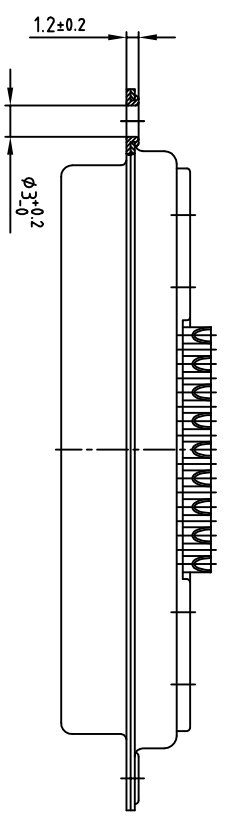
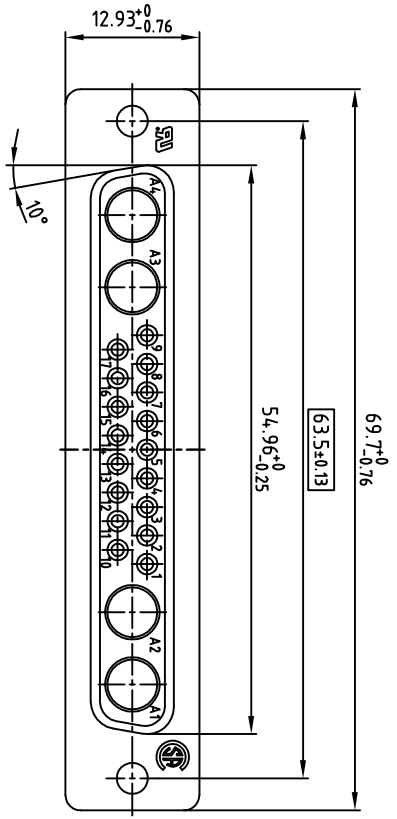


Used for: D-SUB COMBINATION



Directive 2002/95/EC  
"RoHS"  
Compliant

- NOTES:
1. METALSHELLS: STEEL: min. 320µ" TIN
  2. INSULATORS: PBT GF UL 94, V-0, GREEN
  3. CONTACTS: COPPER ALLOY
  4. PLATING: min. 30µ" HARD GOLD OVER min. 50µ" NICKEL
  5.    = CRITICAL DIMENSION: SPC

THIS DRAWING MAY NOT BE COPIED OR REPRODUCED IN ANY WAY, AND MAY NOT BE PASSED ON TO A THIRD PARTY WITHOUT WRITTEN PERMISSION.  
OWNERSHIP AND COPYRIGHT OF CONEC GmbH  
DO NOT ALTER CAD DRAWING BY HAND

rev.	description	date	name

tolerance	2000	date	name	title:
	drawn	12.01.	Baranski	
norm	appd.	12.01.	Michenbecker	D-SUB COMBINATION FEMALE SOLDER CUP 21WA4S
	d-add			
scale:	2.1(5:1)	material:	SEE NOTES	dwg no:
				13K21W7A
				product no: 321WA4SCM99A10X
				CAD/ REL.14
				DIN-A
				3
				Sh:1/1

