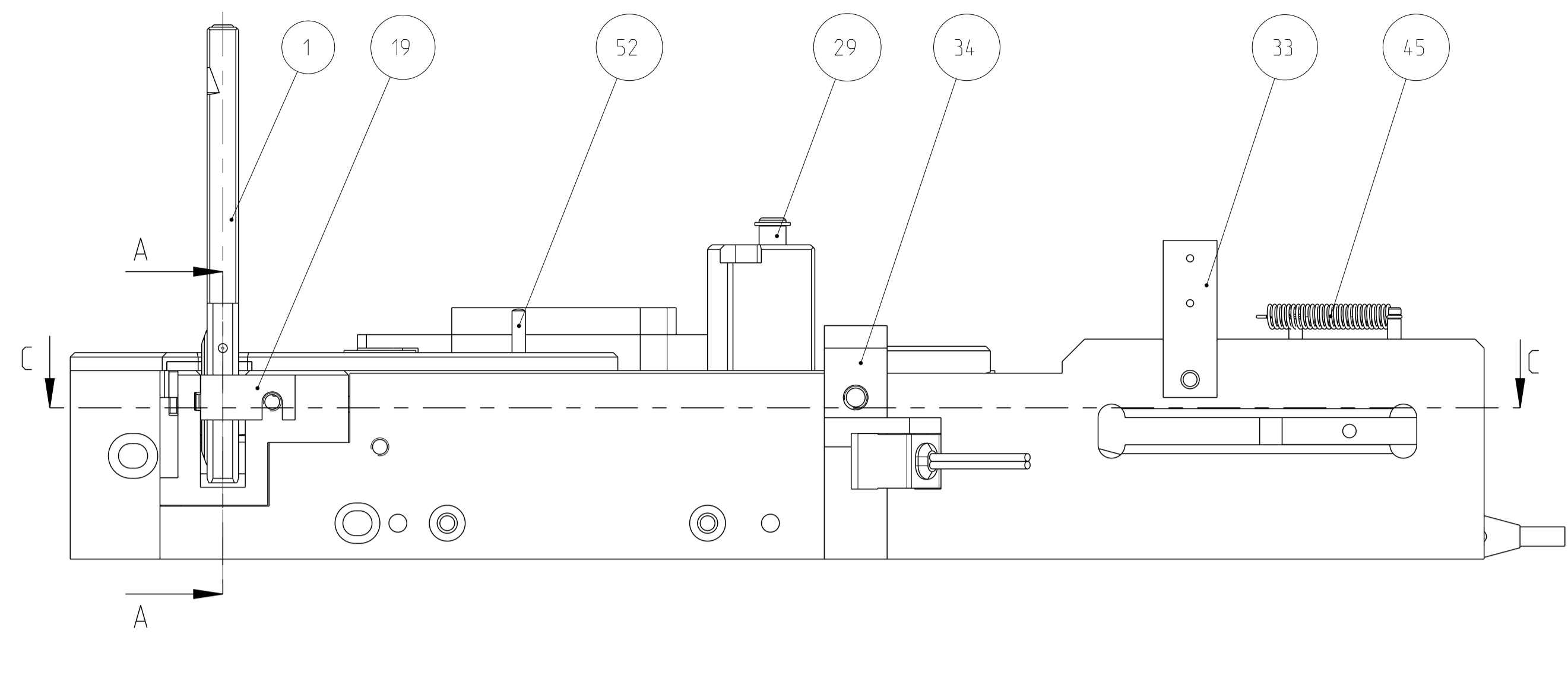
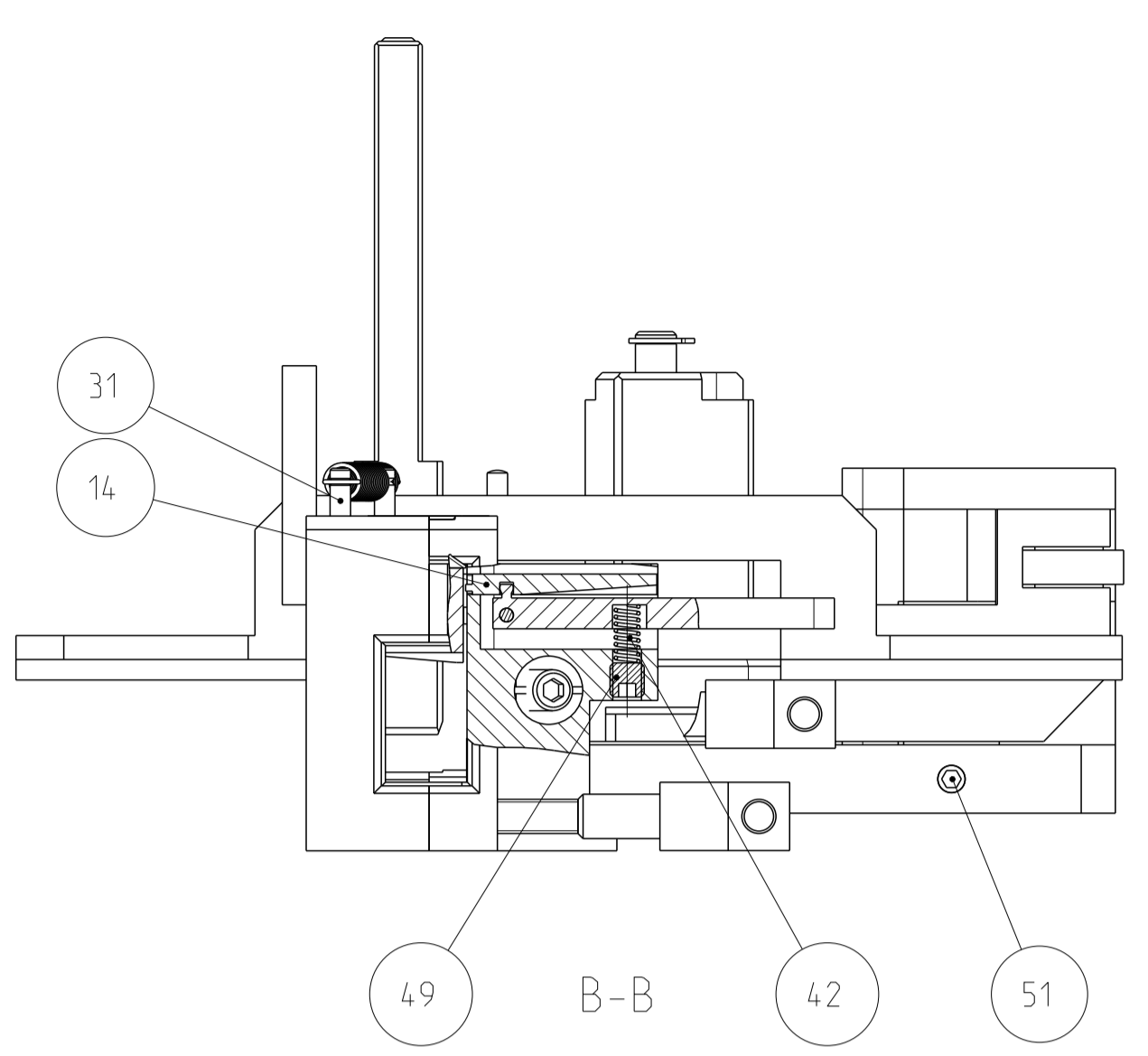
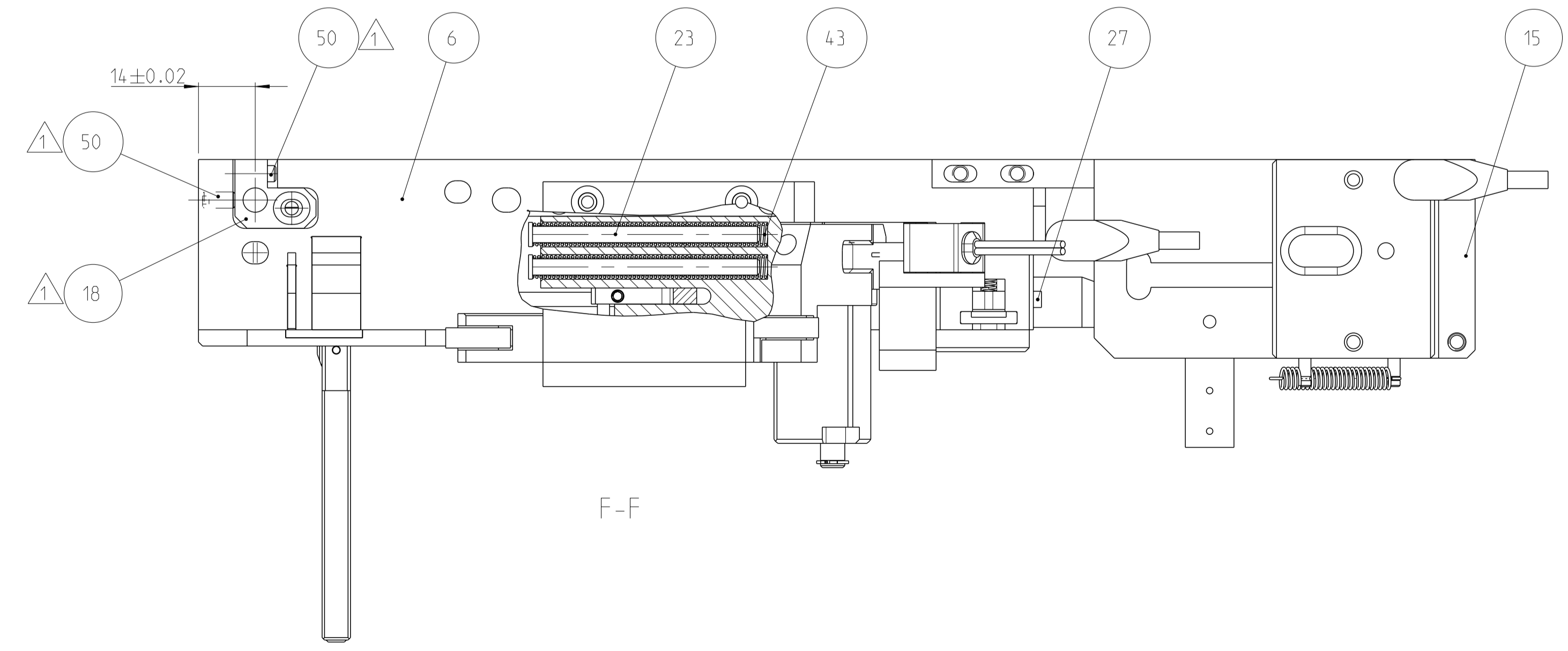
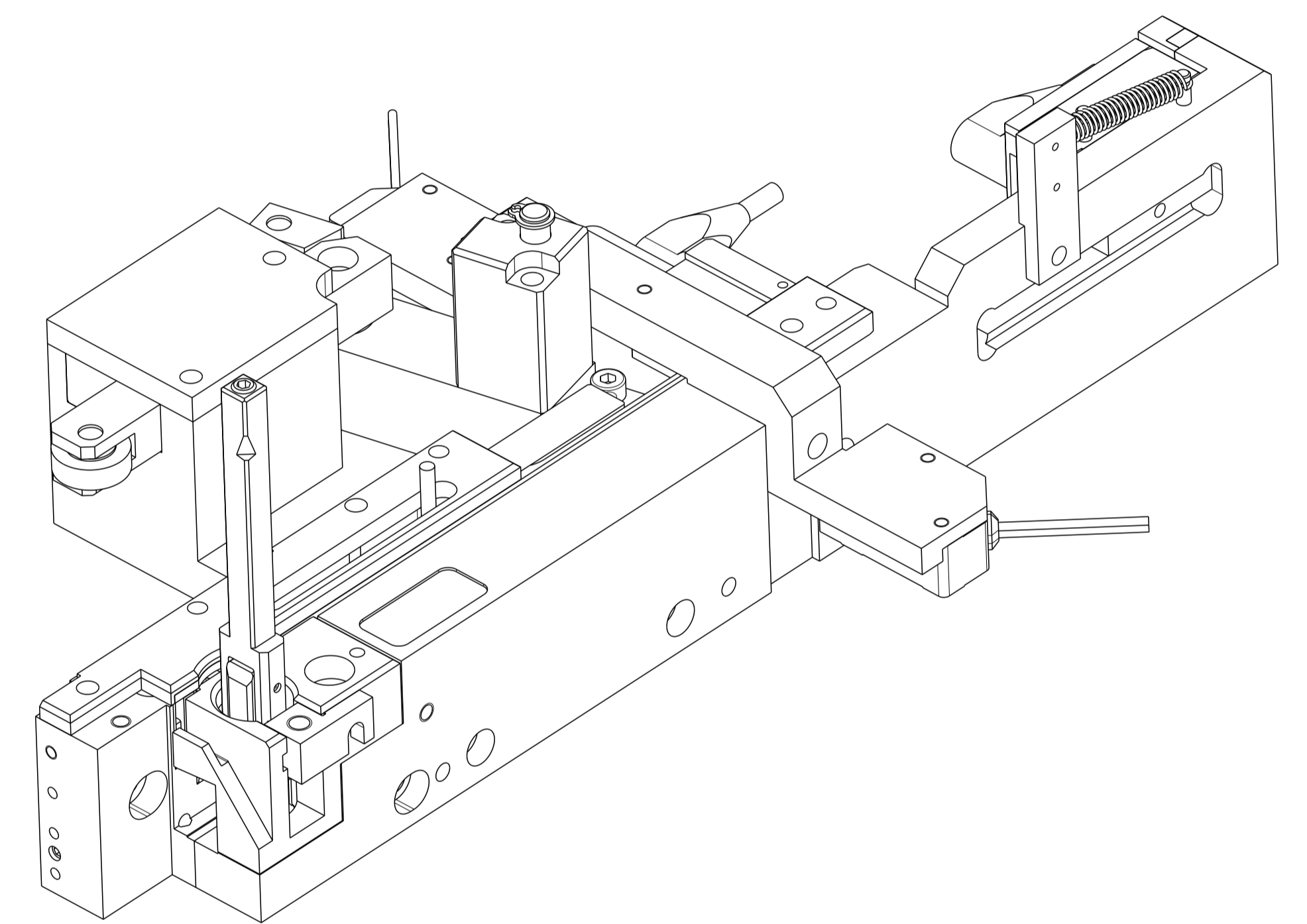
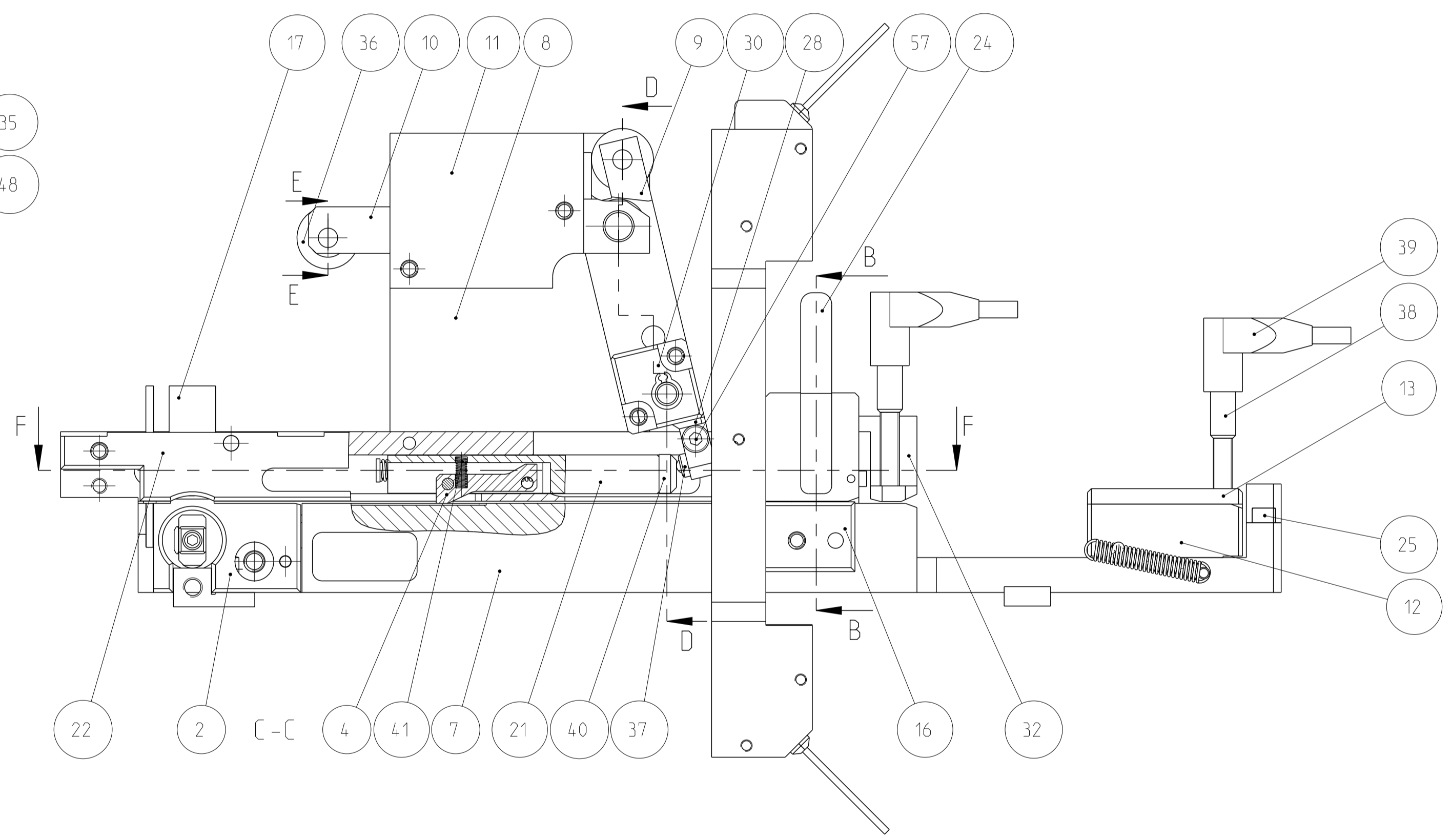
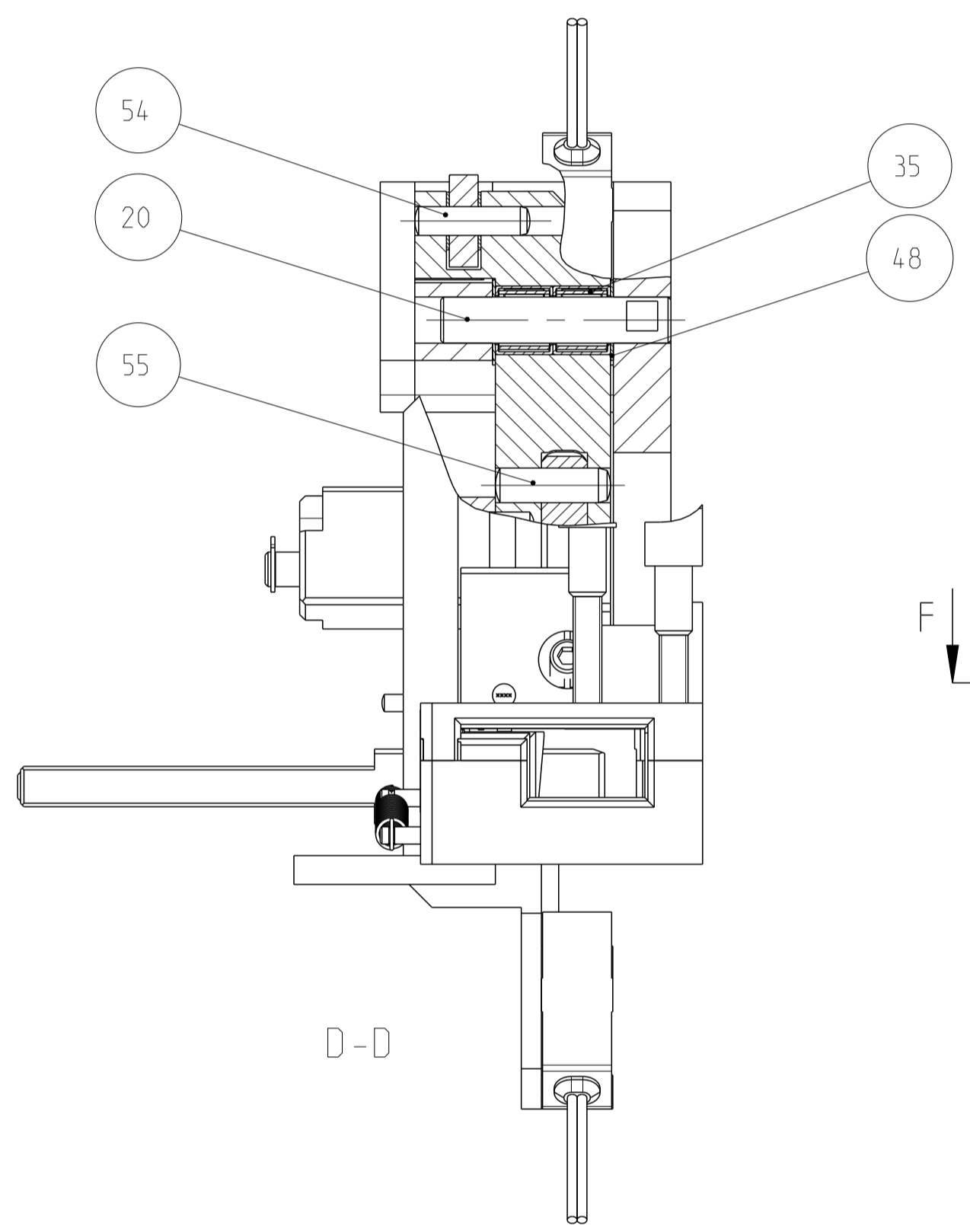
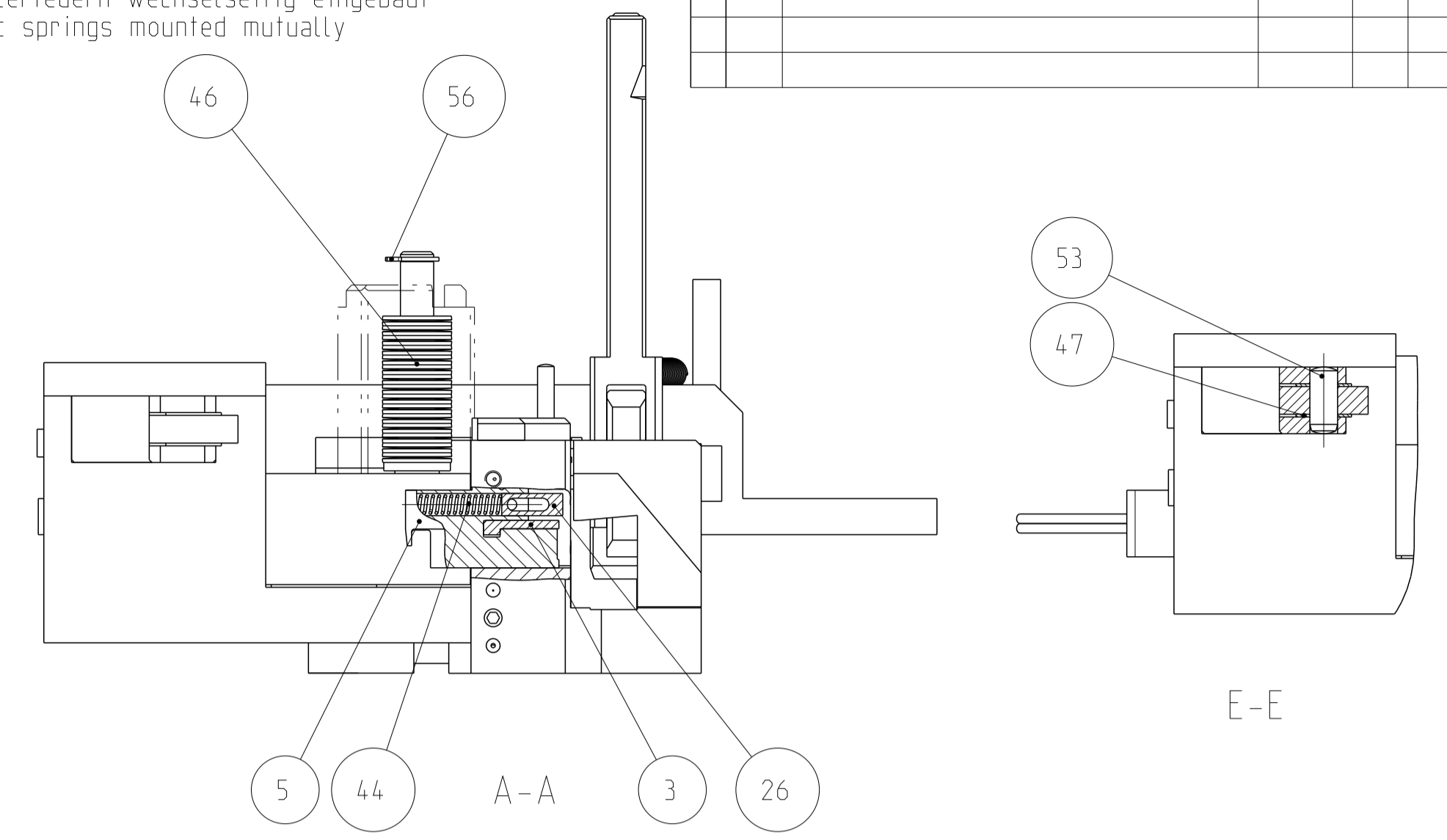


LOC	DIST	REVISIONS			
A1	-	REV	DATE	BY	APPV
		D	INITIAL RELEASE	15 JUL 2013	UR SB



Tellerfedern wechselseitig eingebaut  
 disc springs mounted mutually



⚠ bei Montage abgestimmt.  
 Adjusted while mounting.

Fuer Basiswerkzeug ohne Querhub.  
 For double pin insertion head.

Stückliste Blatt 2ff.  
 Bom on sheet 2 and following pages.

Produkt: TE PCB 9.5 Kontakt; PN 1719101  
 product: TE PCB 9.5 Terminal; PN 1719101

THIS DRAWING IS A CONTROLLED DOCUMENT.		OWN: RAGHAVENDRA 15 JUL 2013	TE Connectivity
		CHK: REUTER UWE 15 JUL 2013	
DIMENSIONS: mm		APVD: SIEGRIED B 15 JUL 2013	NAME: UMBAUSETZ conversion kit
TOLERANCES UNLESS OTHERWISE SPECIFIED: 0 PLC # # # # 2 PLC # # # # 3 PLC # # # # 4 PLC # # # # ANGLES # # # #		PRODUCT SPEC	
MATERIAL: -		FINISH: -	APPLICATION SPEC
		WEIGHT: -	RESTRICTED TO
		Customer Drawing	SIZE: A1 CAGE CODE: 00779 DRAWING NO: C=1372069-4 SCALE: 1:1 SHEET: 1 OF 3 REV: D

THIS DRAWING IS UNPUBLISHED. RELEASED FOR PUBLICATION 2012  
 © COPYRIGHT 2012 BY Tyco Electronics AMP GmbH ALL RIGHTS RESERVED.

LOC	DIST	REV	DATE	BY	APPV
A1	-	1	15 JUL 2013	REUTER UWE	

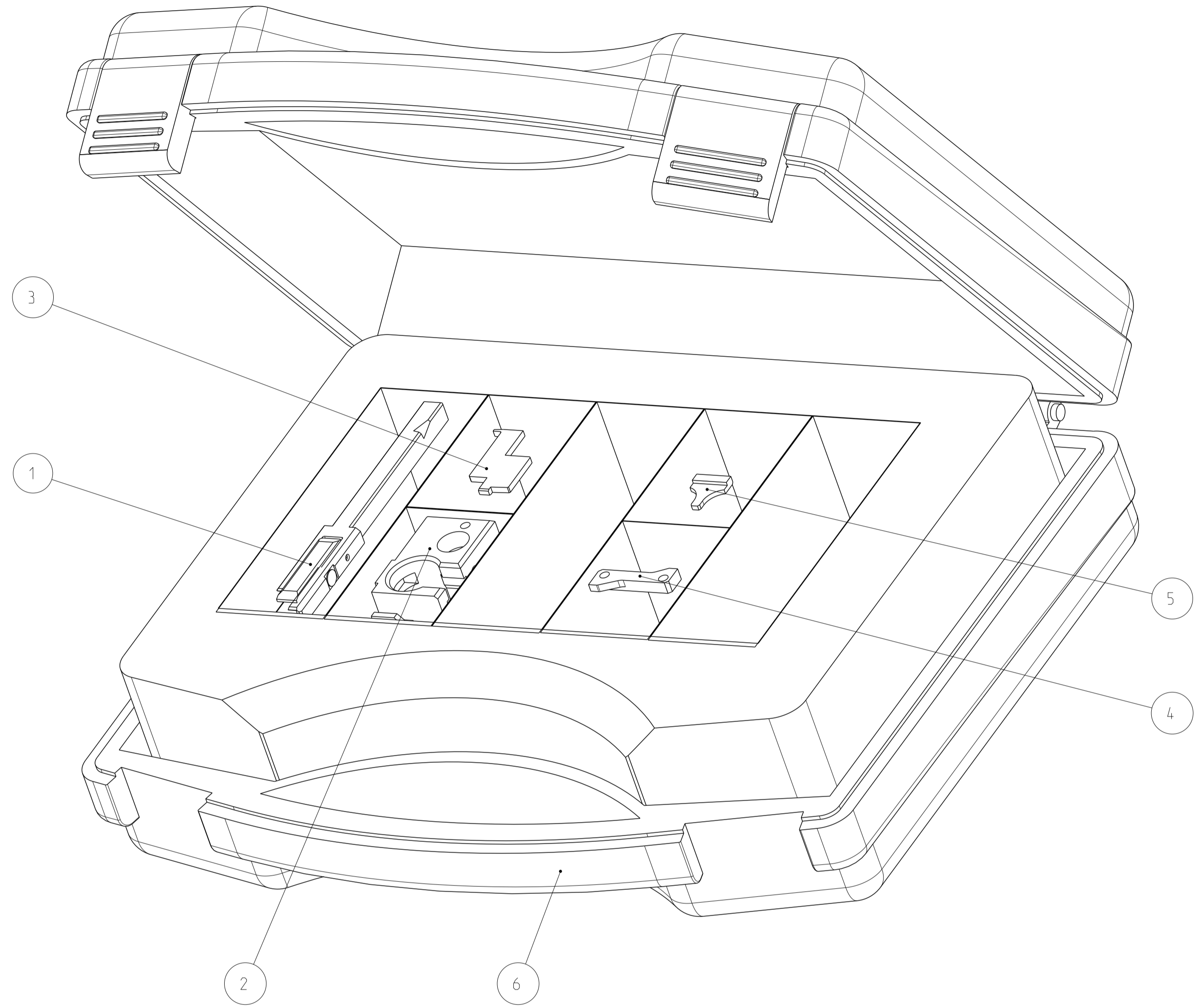
POS	QTY	TE/PN	PART REV	DESCRIPTION	WEAR	SPARE
1	1	8-539496-0	C	SETZFINGER KOMPLETT insertion finger complete	YES	YES
2	1	1-1372349-3	C	SCHNITTPLATTE cutting plate	YES	YES
3	1	1-1372348-5	C	SCHNITTMESSER cutting blade	YES	YES
4	1	1-1372348-1	C	VORSCHUBFINGER feeding finger	YES	YES
5	1	1-1372348-6	C	SCHNITTMESSER cutting blade	YES	YES
6	1	1-1372349-0	E	WERKZEUGBASIS tool base	-	-
7	1	1-1372349-1	C	FUEHRUNG VORNE guiding front	-	-
8	1	1-1372349-6	B	HALTER holder	-	-
9	1	1-1372349-7	B	HEBEL lever	-	-
10	1	1-1372349-8	B	STOESSEL ram	-	-
11	1	1-1372349-9	B	DECKEL cover	-	-
12	1	2-1372349-0	B	SPLICEERKENNUNG INNEN splice detection inside	-	-
13	1	1-1372348-2	B	SPLICEERKENNUNG AUSSEN splice detection outside	-	-
14	1	2-1372269-9	C	BREMSE brake	-	-
15	1	2-1372349-1	B	DECKEL cover	-	-
16	1	6-1372207-2	B	NIEDERHALTER downholder	-	-
17	1	1-1372349-2	C	MESSERHALTER blade holder	-	-
18	1	2-1372481-2	A	ABSTIMMKLOTZ ADJUSTING BLOCK	-	-
19	1	2-1372349-3	B	ABSTIMMKLOTZ adjustment block	-	-
20	1	1-1372328-9	B	Achse axis	-	-
21	1	1-1372349-5	C	TRANSPORTSCHIEBER transport slider	-	-
22	1	1-1372349-4	C	DECKEL cover	-	-
23	2	1-1372328-5	B	FEDERBOLZEN spring bolt	-	-
24	1	3-1372269-2	B	HEBEL lever	-	-
25	1	2-1372349-2	B	EINSATZ insert	-	-
26	1	1-1372348-8	B	BOLZEN bolt	-	-
27	1	6-539939-7	B	BOLZEN BOLT	-	-
28	1	2-1372348-0	B	HEBEL HEBEL	-	-
29	1	2-1372328-5	B	BOLZEN bolt	-	-
30	1	2-1372328-6	B	GEHAEUSE housing	-	-
31	2	2-1372209-1	B	STIFT pin	-	-
32	1	9-1372295-9	B	INIHALTER holder	-	-
33	1	4-1372234-1	B	Halter holder	-	-
34	1	2-1372349-5	B	HALTER holder	-	-

35	2	506344-6	A	NADELHÜLSE NEEDLE SLEEVE	-	YES
36	2	516403-1	A	FLOW ROLLER LAUFROLL	-	YES
37	1	511591-8	A	KUGELDRUCKSCHRAUBE M6*16 -	-	YES
38	2	4-523159-7	A	Initiator sensor	-	YES
39	2	2030564-1	A	CABLE. CONNECTING.METAL COUPLING. ANGLE -	-	YES
40	1	506797-1	A	BOLT NORELEM: 02010-061	-	YES
41	1	6-510500-5	A	Druckfeder PRESSURE SPRING	-	YES
42	1	9-510500-4	A	Druckfeder PRESSURE SPRING	-	YES
43	2	1372409-2	A	DRUCKFEDER G125703 COMPRESSION SPRING -	-	YES
44	1	7-653861-3	E	DRUCKFEDER D-085 E COMPRESSION SPRING	-	YES
45	1	9-653860-9	A	Zugfeder TENSION SPRING	-	YES
46	30	509156-4	O	Tellerfeder -	-	YES
47	4	519037-3	A	Passscheibe 5x10x0.5 DIN 988 -	-	YES
48	2	519037-6	A	Passscheibe 8x14x0.5 DIN 988 -	-	YES
49	1	3-519011-5	B	SCREW M5x5 DIN 913 -	-	YES
50	2	3-519011-0	B	SCREW M4x8 DIN 913 -	-	YES
51	1	3-519011-6	B	SCREW M5x6 DIN 913 -	-	YES
52	1	3-519051-7	A	Zyl.-Stift 3m6x24 DIN 6325 -	-	YES
53	1	6-519051-3	A	Zyl.-Stift 5m6x12 DIN 6325 -	-	YES
54	1	6-519051-7	A	Zyl.-Stift 5m6x20 DIN 6325 -	-	YES
55	1	8-519051-6	A	ZYL.-STIFT 6M6*20 DIN 6325 -ST -	-	YES
56	1	519065-4	A	CIRCLIP SICHERUNGSRING	-	YES
57	1	2-519000-3	A	Zylinderschr. M4x16 DIN 912 -	-	YES

THIS DRAWING IS A CONTROLLED DOCUMENT.

DIMENSIONS: mm	TOLERANCES UNLESS OTHERWISE SPECIFIED: 0 PLC ± 1 PLC ± 2 PLC ± 3 PLC ± 4 PLC ± ANGLES ±	FINISH	DWN RAGHAVENDRA 15 JUL 2013 CHK REUTER UWE 15 JUL 2013 APVD STEGRIED B 15 JUL 2013 PRODUCT SPEC APPLICATION SPEC WEIGHT Customer Drawing	
MATERIAL: - FINISH: -		SIZE: A1 CAGE CODE: 00779 DRAWING NO: 1372069-4	NAME: UMBAUSATZ conversion kit RESTRICTED TO: - SCALE: 1:1 SHEET: 2 OF 3 REV: D	

LOC	DIST	REVISIONS					
		P	LTN	DESCRIPTION	DATE	DWN	APVD
A1	-	-	-	SEE SHEET 1	-	-	-



TOOL KIT 1372089-4  
SHOWN

POS	QTY	TE/PN	PART REV	DESCRIPTION	WEAR	SPARE
1	1	8-539496-0	C	SETZFINGER KOMPLETT insertion finger complete	YES	YES
2	1	1-1372349-3	C	SCHNITTPLATTE cutting plate	YES	YES
3	1	1-1372348-6	C	SCHNITTMESSER cutting blade	YES	YES
4	1	1-1372348-1	C	VORSCHUBFINGER feeding finger	YES	YES
5	1	1-1372348-5	C	SCHNITTMESSER cutting blade	YES	YES
6	1	539383-5	B	SUIT CASE ERSATZTEILKOFFER	-	-

THIS DRAWING IS A CONTROLLED DOCUMENT.		DWN: 15JUL2013 RAGHAVENDRA	TE Connectivity
DIMENSIONS: mm		CHK: 15JUL2013 REUTER UWE	
TOLERANCES UNLESS OTHERWISE SPECIFIED:		APVD: 15JUL2013 SIEGFRIED B	NAME: UMBAUSETZ conversion kit
0 PLC ± 1 PLC ± 2 PLC ± 3 PLC ± 4 PLC ± ANGLES ± FINISH ±		PRODUCT SPEC	RESTRICTED TO
MATERIAL: -		APPLICATION SPEC	SIZE: A1
		WEIGHT: -	CAGE CODE: 00779
		Customer Drawing	DRAWING NO: 1372069-4
		SCALE: 1:1	SHEET 3 OF 3
			REV D