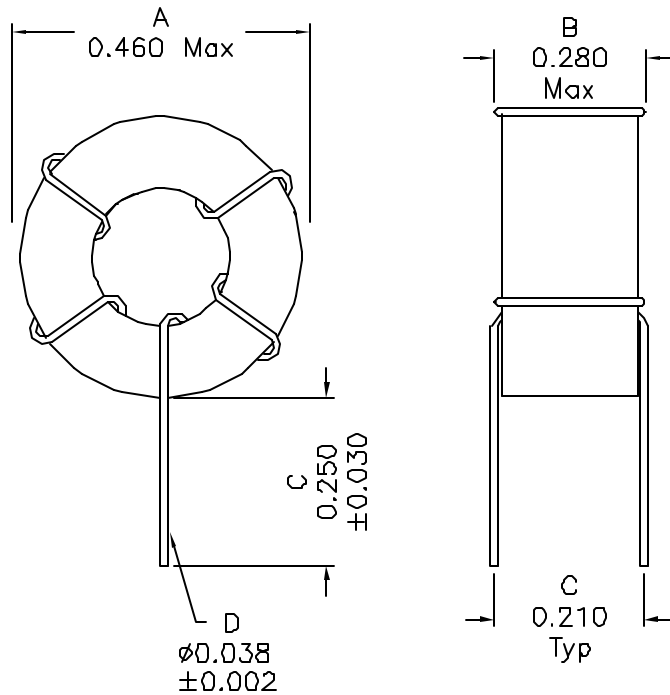
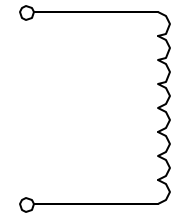


1. Mechanical Dimensions:



2. Schematic:



3. Electrical Specifications: @25°C

OCL: 1.1uH±12% @10KHz 0.25V 0Adc

DC Res: 0.0035 Ohms Max

Irated: 4A (Based on 40°C Temp Rise)

Notes:

1. Solderability: Leads shall meet MIL-STD-202G, Method 208H for solderability.
2. Flammability: UL94V-0
3. ASTM oxygen Index: > 28%
4. Insulation System: Class F 155°C. UL file E151556
5. Operating Temperature Range: All listed parameters are to be within tolerance from -40°C to +85°C
6. Storage Temperature Range: -55°C to +125°C
7. Aqueous wash compatible
8. Electrical and mechanical specifications 100% tested
9. RoHS Compliant Component

DOC. REV: A/1

XFMRs Inc www.XFMRs.com		Title: TOROIDAL INDUCTOR	
UNLESS OTHERWISE SPECIFIED TOLERANCES: .xxx ±0.010 Dimensions in INCH	P/N: XF0117-VOB	REV. A	
	DWN.	廖玉坤	Jan-08-07
SHEET 1 OF 1	CHK.	李清儿	Jan-08-07
	APP.	MS	Jan-08-07