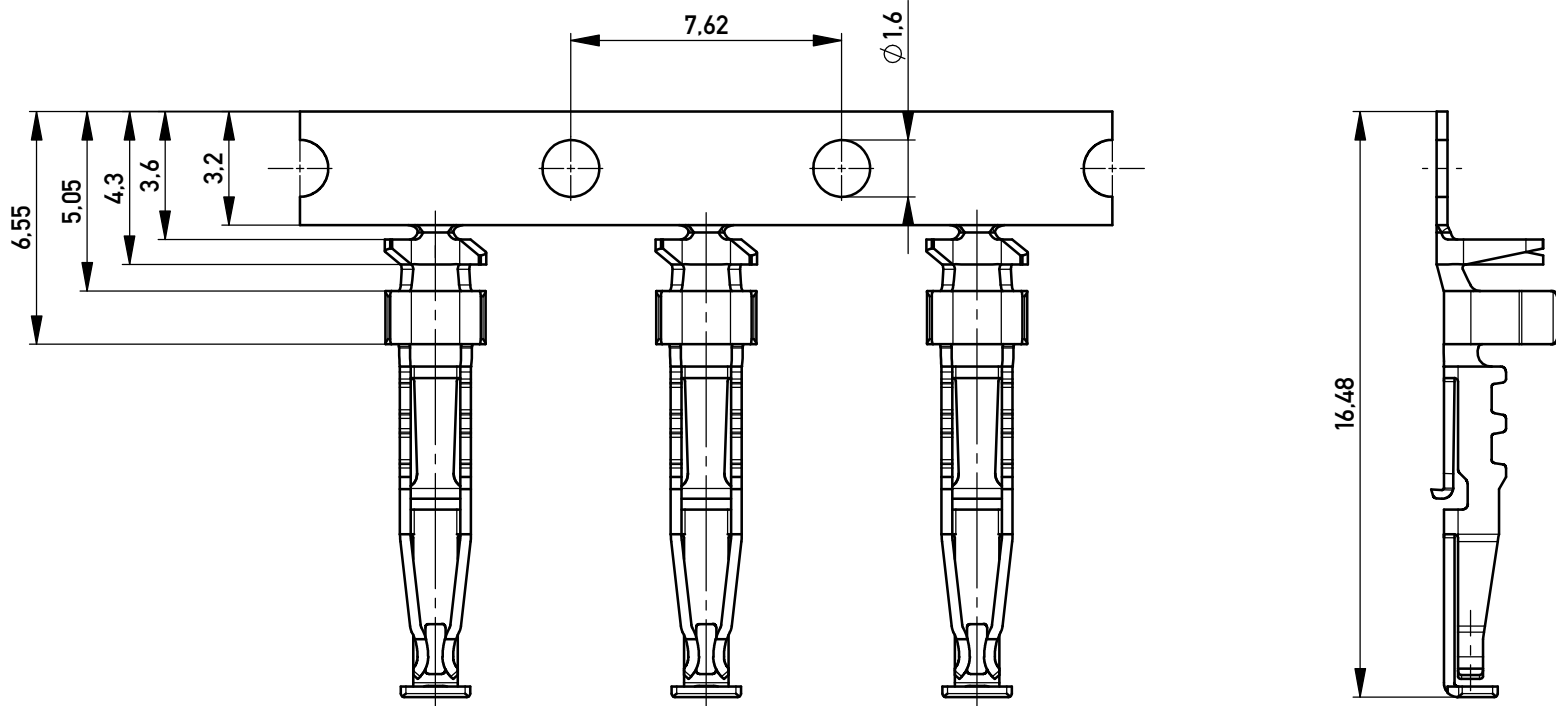
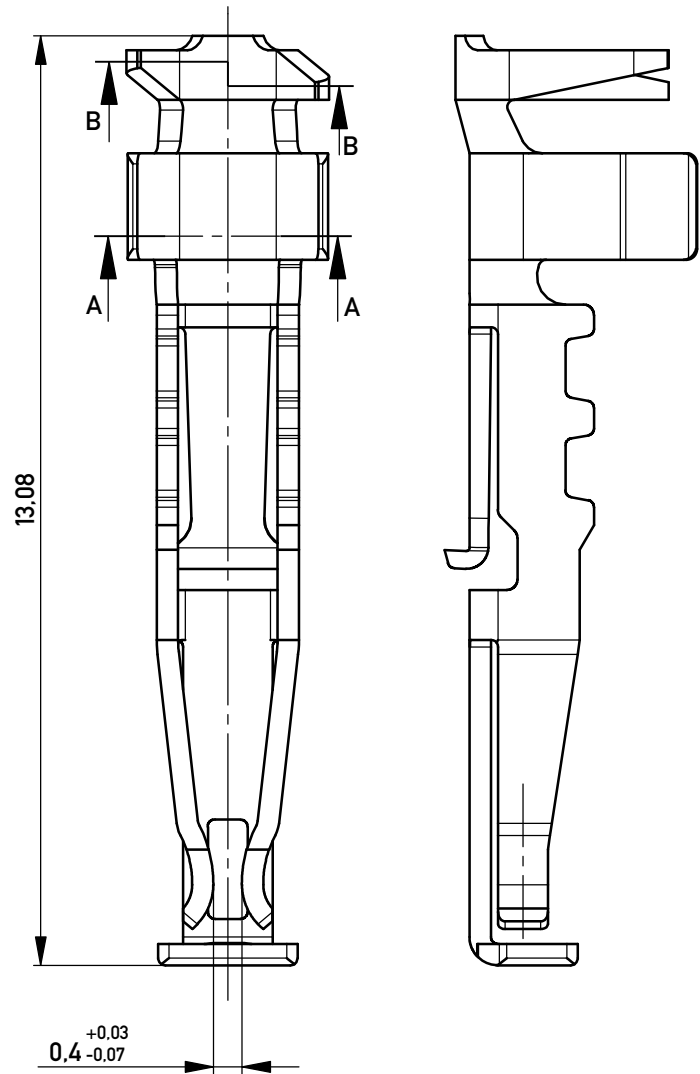


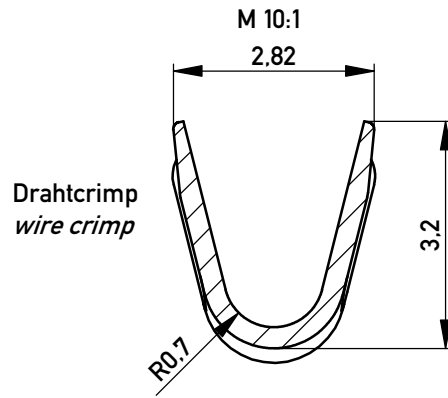
Federkontakte am Band  
spring contact on carrier strip



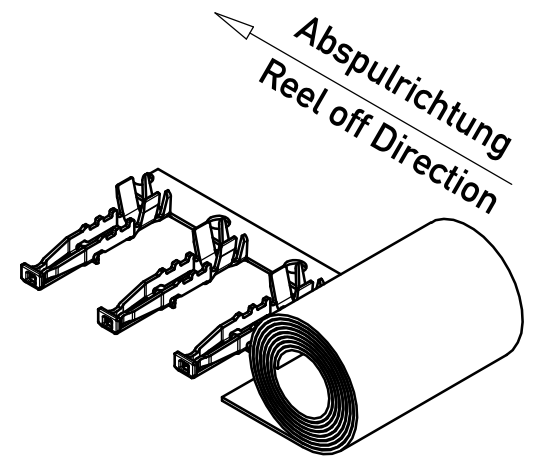
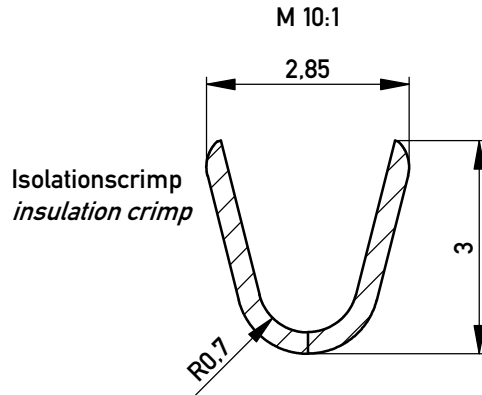
Federkontakt vereinzelt  
spring contact isolated



Schnitt A-A  
cross section A-A



Schnitt B-B  
cross section B-B



AWG 16	500	Ø 130	137	
Leiterquerschnitt wire cross section	Menge quantity	Spulendurchmesser reel diameter	Anforderungsstufe class	Bemerkung remark

Information:	Tolerances	 All Dimensions in mm	Scale	2:1
	All rights reserved. Only for Information. To ensure that this is the latest version of this drawing, please contact one of the ERNI companies before using.		Subject to modification without prior notice. Drawing will not be updated.	Designation <b>Federkontakte 2,54 SRC-A BA1</b> <i>Spring contact 2,54 SRC-A</i>
g	10.04.2013	 www.ERNI.com	<b>102402070001</b>	
Index	Date		Class	SRCBUT

Copyright by ERNI GmbH  
Proprietary notice pursuant to ISO 16016 to be observed.