



## **Module 1: Introduction and Overview**

DS136-1 (v2.1) July 25, 2011

8 pages

- "Summary of QPro Virtex-II Pro Features"
- "General Description"
- "Architecture"
- "IP Core and Reference Support"
- "QPro Virtex-II Pro Device/Package Combinations and Maximum I/Os"
- "Maximum Performance"
- "QPro Virtex-II Pro Ordering Information"
- "Valid Ordering Examples"

## **Module 2: Functional Description**

DS136-2 (v2.1) July 25, 2011

43 pages

- "QPro Virtex-II Pro Array Functional Description"
- "Functional Description: Processor Block"
- "Functional Description: Embedded PowerPC 405 Core"
- "Functional Description: FPGA"
- "Routing"
- "Configuration"

## **Module 3: DC and Switching Characteristics**

DS136-3 (v2.1) July 25, 2011

36 pages

- "QPro Virtex-II Pro Electrical Characteristics"
- "QPro Virtex-II Pro Switching Characteristics"
- "QPro Virtex-II Pro Pin-to-Pin Output Parameter Guidelines"
- "QPro Virtex-II Pro Pin-to-Pin Input Parameter Guidelines"
- "DCM Timing Parameters"
- "Source-Synchronous Switching Characteristics"

## **Module 4: Pinout Information**

DS136-4 (v2.1) July 25, 2011

94 pages

- "QPro Virtex-II Pro Device/Package Combinations and Maximum I/Os"
- "QPro Virtex-II Pro Pin Definitions"
- "FG676 Fine-Pitch BGA Package"
- "EF1152, and FF1152 Flip-Chip Fine-Pitch BGA Packages"
- "EF1704, and FF1704 Flip-Chip Fine-Pitch BGA Packages"

IMPORTANT NOTE: Page, figure, and table numbers begin at 1 for each module, and each module has its own Revision History at the end. Use the PDF bookmarks pane for easy navigation in this volume.





## Summary of QPro Virtex-II Pro Features

- Guaranteed over the full military temperature range (–55°C to +125°C) or full industrial temperature range (–40°C to +100°C)
- High-Performance Platform FPGA Solution, Including two IBM PowerPC™ RISC processor blocks
- Based on Virtex™-II Platform FPGA Technology
  - ◆ Flexible logic resources
  - ◆ CMOS latch-based in-system configuration
  - ◆ Active Interconnect technology
  - ◆ SelectRAM™+ memory hierarchy
  - ◆ Dedicated 18-bit x 18-bit multiplier blocks
  - ◆ High-performance clock management circuitry
  - ◆ SelectI/O™-Ultra technology
  - ◆ XCITE Digitally Controlled Impedance (DCI) I/O

QPro Virtex-II Pro family members and resources are shown in [Table 1](#).

Table 1: QPro Virtex-II Pro FPGA Family Members

Device	RocketIO Transceiver Blocks <sup>(1)</sup>	PowerPC Processor Blocks	Logic Cells <sup>(2)</sup>	CLB (1 = 4 slices = max 128 bits)		18 X 18 Bit Multiplier Blocks	Block SelectRAM+		DCMs	Maximum User I/O Pads
				Slices	Max Distr RAM (Kb)		18 Kb Blocks	Max Block RAM (Kb)		
XQ2VP40	8, or 12	2	43,632	19,392	606	192	192	3,456	8	692
XQ2VP70	20	2	74,448	33,088	1,034	328	328	5,904	8	996

### Notes:

1. RocketIO™ Multi-Gigabit Transceivers (MGTs) are not supported in QPro Virtex-II Pro FPGAs.
2. Logic Cell ≈ (1) 4-input LUT + (1)FF + Carry Logic

## RocketIO Transceiver Features

- RocketIO™ transceivers are not supported in QPro Virtex-II Pro FPGAs.

## PowerPC RISC Processor Block Features

- Embedded Harvard Architecture Block
- Low Power Consumption: 0.9 mW/MHz
- Five-Stage Data Path Pipeline
- Hardware Multiply/Divide Unit
- Thirty-Two 32-bit General Purpose Registers
- 16 KB Two-Way Set-Associative Instruction Cache
- 16 KB Two-Way Set-Associative Data Cache
- Memory Management Unit (MMU)
- 64-entry unified Translation Look-aside Buffers (TLB)
- Variable page sizes (1 KB to 16 MB)
- Dedicated On-Chip Memory (OCM) Interface
- Supports IBM CoreConnect™ Bus Architecture
- Debug and Trace Support
- Timer Facilities

## QPro Virtex-II Pro Platform FPGA Technology

- SelectRAM+ Memory Hierarchy
  - ◆ Up to 6 Mb of True Dual-Port RAM in 18 Kb block SelectRAM+ resources
  - ◆ Up to 1,034 Kb of distributed SelectRAM+ resources
  - ◆ High-performance interfaces to external memory
- Arithmetic Functions
  - ◆ Dedicated 18-bit x 18-bit multiplier blocks
  - ◆ Fast look-ahead carry logic chains
- Flexible Logic Resources
  - ◆ Up to 66,176 internal registers/latches with Clock Enable
  - ◆ Up to 66,176 look-up tables (LUTs) or cascadable variable (1 to 16 bits) shift registers
  - ◆ Wide multiplexers and wide-input function support
  - ◆ Horizontal cascade chain and Sum-of-Products support
  - ◆ Internal three-state busing
- High-Performance Clock Management Circuitry
  - ◆ Eight Digital Clock Manager (DCM) modules
    - Precise clock deskew
    - Flexible frequency synthesis
    - High-resolution phase shifting
  - ◆ 16 global clock multiplexer buffers in all parts
- Active Interconnect Technology
  - ◆ Fourth-generation segmented routing structure
  - ◆ Fast, predictable routing delay, independent of fanout
  - ◆ Deep sub-micron noise immunity benefits
- SelectIO™-Ultra Technology
  - ◆ Up to 996 user I/Os
  - ◆ Twenty-two single-ended standards and ten differential standards
  - ◆ Programmable LVCMOS sink/source current (2 mA to 24 mA) per I/O
- ◆ XCITE Digitally Controlled Impedance (DCI) I/O
- ◆ PCI/PCI-X support (refer to [XAPP653](#), *3.3V PCI Design Guidelines*, for more information)
- ◆ Differential signaling
  - 512 Mb/s Low-Voltage Differential Signaling I/O (LVDS) with current mode drivers
  - On-chip differential termination
  - Bus LVDS I/O
  - HyperTransport (LDT) I/O with current driver buffers
  - Built-in DDR input and output registers
- ◆ Proprietary high-performance SelectLink technology for communications between Xilinx devices
  - High-bandwidth data path
  - Double Data Rate (DDR) link
  - Web-based HDL generation methodology
- CMOS Latch-Based In-System Configuration
  - ◆ Fast SelectMAP™ configuration
  - ◆ Triple Data Encryption Standard (DES) security option (bitstream encryption)
  - ◆ IEEE 1532 support
  - ◆ Partial reconfiguration
  - ◆ Unlimited reprogrammability
  - ◆ Readback capability
- Supported by Xilinx Integrated Software Environment (ISE™) Software
  - ◆ Integrated VHDL and Verilog design flows
  - ◆ ChipScope™ Integrated Logic Analyzer
- 0.13 μm Nine-Layer Copper Process with 90 nm High-Speed Transistors
- 1.5V (V<sub>CCINT</sub>) core power supply, dedicated 2.5V V<sub>CCAUX</sub> auxiliary and V<sub>CCO</sub> I/O power supplies
- IEEE 1149.1 Compatible Boundary-Scan Logic Support
- Flip-Chip and Wire-Bond Ball Grid Array (BGA) Packages in Standard 1.00 mm Pitch.

## General Description

QPro Virtex-II Pro platform FPGAs are well-suited for designs based on IP cores and customized modules. The family incorporates the PowerPC CPU blocks in the Virtex-II Pro architecture. This family of FPGAs empowers complete solutions for telecommunication, wireless, networking, video, and DSP applications.

The Virtex-II Pro architecture and leading-edge 0.13 μm CMOS nine-layer copper process are optimized for high performance designs in a wide range of densities. Combining a wide variety of flexible features and IP cores, the QPro Virtex-II Pro family enhances programmable logic design capabilities and is a powerful alternative to mask-programmed gate arrays.

## Architecture

### Array Overview

QPro Virtex-II Pro devices are user-programmable gate arrays with various configurable elements and embedded blocks optimized for high-density and high-performance system designs. QPro Virtex-II Pro devices implement the following functionality:

- Embedded IBM PowerPC 405 RISC processor blocks.
- SelectIO-Ultra blocks provide the interface between package pins and the internal configurable logic. Most popular and leading-edge I/O standards are supported by the programmable IOBs.
- Configurable Logic Blocks (CLBs) provide functional elements for combinatorial and synchronous logic, including basic storage elements. BUFTs (three-state buffers) associated with each CLB element drive dedicated segmentable horizontal routing resources.
- Block SelectRAM+ memory modules provide large 18 Kb storage elements of True Dual-Port RAM.
- Embedded multiplier blocks are 18-bit x 18-bit dedicated multipliers.
- Digital Clock Manager (DCM) blocks provide self-calibrating, fully digital solutions for clock distribution delay compensation, clock multiplication and division, and coarse- and fine-grained clock phase shifting.

A new generation of programmable routing resources called Active Interconnect Technology interconnects all these elements. The general routing matrix (GRM) is an array of routing switches. Each programmable element is tied to a switch matrix, allowing multiple connections to the general routing matrix. The overall programmable interconnection is hierarchical and supports high-speed designs.

All programmable elements, including the routing resources, are controlled by values stored in static memory cells. These values are loaded in the memory cells during configuration and can be reloaded to change the functions of the programmable elements.

### Features

This section briefly describes QPro Virtex-II Pro features. For more details, refer to ["Functional Description" \(Module 2\)](#).

#### RocketIO MGT Cores

RocketIO™ transceivers are not supported in QPro Virtex-II Pro FPGAs.

#### PowerPC 405 Processor Block

The PPC405 RISC CPU can execute instructions at a sustained rate of one instruction per cycle. On-chip

instruction and data cache reduce design complexity and improve system throughput.

The PPC405 features include:

- PowerPC RISC CPU
  - ◆ Implements the PowerPC User Instruction Set Architecture (UIISA) and extensions for embedded applications
  - ◆ Thirty-two 32-bit general purpose registers (GPRs)
  - ◆ Static branch prediction
  - ◆ Five-stage pipeline with single-cycle execution of most instructions, including loads/stores
  - ◆ Unaligned and aligned load/store support to cache, main memory, and on-chip memory
  - ◆ Hardware multiply/divide for faster integer arithmetic (4-cycle multiply, 35-cycle divide)
  - ◆ Enhanced string and multiple-word handling
  - ◆ Big/little endian operation support
- Storage Control
  - ◆ Separate instruction and data cache units, both two-way set-associative and non-blocking
  - ◆ Eight words (32 bytes) per cache line
  - ◆ 16 KB array Instruction Cache Unit (ICU), 16 KB array Data Cache Unit (DCU)
  - ◆ Operand forwarding during instruction cache line fill
  - ◆ Copy-back or write-through DCU strategy
  - ◆ Doubleword instruction fetch from cache improves branch latency
- Virtual mode memory management unit (MMU)
  - ◆ Translation of the 4 GB logical address space into physical addresses
  - ◆ Software control of page replacement strategy
  - ◆ Supports multiple simultaneous page sizes ranging from 1 KB to 16 MB
- OCM controllers provide dedicated interfaces between Block SelectRAM+ memory and processor block instruction and data paths for high-speed access
- PowerPC timer facilities
  - ◆ 64-bit time base
  - ◆ Programmable interval timer (PIT)
  - ◆ Fixed interval timer (FIT)
  - ◆ Watchdog timer (WDT)
- Debug Support
  - ◆ Internal debug mode
  - ◆ External debug mode
  - ◆ Debug Wait mode
  - ◆ Real Time Trace debug mode

- ◆ Enhanced debug support with logical operators
- ◆ Instruction trace and trace-back support
- ◆ Forward or backward trace
- Two hardware interrupt levels support
- Advanced power management support

### Input/Output Blocks (IOBs)

IOBs are programmable and can be categorized as follows:

- Input block with an optional single data rate (SDR) or double data rate (DDR) register
- Output block with an optional SDR or DDR register and an optional three-state buffer to be driven directly or through an SDR or DDR register
- Bidirectional block (any combination of input and output configurations)

These registers are either edge-triggered D-type flip-flops or level-sensitive latches.

IOBs support the following single-ended I/O standards:

- LVTTTL, LVCMOS (3.3V,<sup>(1)</sup> 2.5V, 1.8V, and 1.5V)
- PCI-X compatible (133 MHz and 66 MHz) at 3.3V<sup>(2)</sup>
- PCI compliant (66 MHz and 33 MHz) at 3.3V<sup>(2)</sup>
- GTL and GTLP
- HSTL (1.5V and 1.8V, Class I, II, III, and IV)
- SSTL (1.8V and 2.5V, Class I and II)

The DCI I/O feature automatically provides on-chip termination for each single-ended I/O standard.

The IOB elements also support the following differential signaling I/O standards:

- LVDS and Extended LVDS (2.5V)
- BLVDS (Bus LVDS)
- ULVDS
- LDT
- LVPECL (2.5V)

Two adjacent pads are used for each differential pair. Two or four IOBs connect to one switch matrix to access the routing resources. On-chip differential termination is available for LVDS, LVDS Extended, ULVDS, and LDT standards.

### Configurable Logic Blocks (CLBs)

CLB resources include four slices and two three-state buffers. Each slice is equivalent and contains:

- Two function generators (F & G)
- Two storage elements
- Arithmetic logic gates

1. Refer to [XAPP659](#), *Virtex-II Pro / Virtex-II Pro X 3.3V I/O Design Guidelines*, for more information.  
 2. Refer to *3.3V PCI Design Guidelines* or more information.

- Large multiplexers
- Wide function capability
- Fast carry look-ahead chain
- Horizontal cascade chain (OR gate)

The function generators F & G are configurable as 4-input look-up tables (LUTs), as 16-bit shift registers, or as 16-bit distributed SelectRAM+ memory.

In addition, the two storage elements are either edge-triggered D-type flip-flops or level-sensitive latches.

Each CLB has internal fast interconnect and connects to a switch matrix to access general routing resources.

### Block SelectRAM+ Memory

The block SelectRAM+ memory resources are 18 Kb of True Dual-Port RAM, programmable from 16K x 1 bit to 512 x 36 bit, in various depth and width configurations. Each port is totally synchronous and independent, offering three "read-during-write" modes. Block SelectRAM+ memory is cascadable to implement large embedded storage blocks.

Supported memory configurations for dual-port and single-port modes are shown in [Table 2](#).

**Table 2: Dual-Port and Single-Port Configurations**

16K x 1 bit	4K x 4 bits	1K x 18 bits
8K x 2 bits	2K x 9 bits	512 x 36 bits

### 18 x 18 Bit Multipliers

A multiplier block is associated with each SelectRAM+ memory block. The multiplier block is a dedicated 18 x 18-bit 2s complement signed multiplier, and is optimized for operations based on the block SelectRAM+ content on one port. The 18 x 18 multiplier can be used independently of the block SelectRAM+ resource. Read/multiply/accumulate operations and DSP filter structures are extremely efficient.

Both the SelectRAM+ memory and the multiplier resource are connected to four switch matrices to access the general routing resources.

### Global Clocking

The DCM and global clock multiplexer buffers provide a complete solution for designing high-speed clock schemes.

Up to twelve DCM blocks are available. To generate deskewed internal or external clocks, each DCM can be used to eliminate clock distribution delay. The DCM also provides 90-, 180-, and 270-degree phase-shifted versions of its output clocks. Fine-grained phase shifting offers high-resolution phase adjustments in increments of  $1/256$  of the clock period. Very flexible frequency synthesis provides a

clock output frequency equal to a fractional or integer multiple of the input clock frequency. For exact timing parameters, see "DC and Switching Characteristics" (Module 3).

QPro Virtex-II Pro devices have 16 global clock MUX buffers, with up to eight clock nets per quadrant. Each clock MUX buffer can select one of the two clock inputs and switch glitch-free from one clock to the other. Each DCM can send up to four of its clock outputs to global clock buffers on the same edge. Any global clock pin can drive any DCM on the same edge.

## Routing Resources

The IOB, CLB, block SelectRAM+, multiplier, and DCM elements all use the same interconnect scheme and the same access to the global routing matrix. Timing models are shared, greatly improving the predictability of the performance of high-speed designs.

There are a total of 16 global clock lines, with eight available per quadrant. In addition, 24 vertical and horizontal long lines per row or column, as well as massive secondary and local routing resources, provide fast interconnect. QPro Virtex-II Pro buffered interconnects are relatively unaffected by net fanout, and the interconnect layout is designed to minimize crosstalk.

Horizontal and vertical routing resources for each row or column include:

- 24 long lines
- 120 hex lines
- 40 double lines
- 16 direct connect lines (total in all four directions)

## Boundary-Scan

Boundary-scan instructions and associated data registers support a standard methodology for accessing and configuring QPro Virtex-II Pro devices, complying with IEEE

## IP Core and Reference Support

Intellectual Property is part of the Platform FPGA solution. In addition to existing FPGA fabric cores, the next subsections show some of the currently available hardware and software intellectual properties specially developed for QPro Virtex-II Pro devices by Xilinx. Each IP core is modular, portable, Real-Time Operating System (RTOS) independent, and CoreConnect compatible for ease of design migration. Refer to [www.xilinx.com/ipcenter](http://www.xilinx.com/ipcenter) for the latest and most complete list of cores.

standards 1149.1 and 1532. A system mode and a test mode are implemented. In system mode, a QPro Virtex-II Pro device continues to function while executing non-test boundary-scan instructions. In test mode, boundary-scan test instructions control the I/O pins for testing purposes. The QPro Virtex-II Pro Test Access Port (TAP) supports BYPASS, PRELOAD, SAMPLE, IDCODE, and USERCODE non-test instructions. The EXTEST, INTEST, and HIGHZ test instructions are also supported.

## Configuration

QPro Virtex-II Pro devices are configured by loading the bitstream into internal configuration memory using one of the following modes:

- Slave-serial mode
- Master-serial mode
- Slave SelectMAP mode
- Master SelectMAP mode
- Boundary-Scan mode (IEEE 1532)

A Data Encryption Standard (DES) decryptor is available on-chip to secure the bitstreams. One or two triple-DES key sets can be used to optionally encrypt the configuration data.

## Readback and Integrated Logic Analyzer

Configuration data stored in QPro Virtex-II Pro configuration memory can be read back for verification. Along with the configuration data, the contents of all flip-flops and latches, distributed SelectRAM+, and block SelectRAM+ memory resources can be read back. This capability is useful for real-time debugging.

The Xilinx ChipScope Integrated Logic Analyzer (ILA) cores and Integrated Bus Analyzer (IBA) cores, along with the ChipScope Pro Analyzer software, provide a complete solution for accessing and verifying user designs within QPro Virtex-II Pro devices.

## Hardware Cores

- Bus Infrastructure cores (arbiters, bridges, and more)
- Memory cores (DDR, Flash, and more)
- Peripheral cores (UART, IIC, and more)
- Networking cores (ATM, Ethernet, and more)

## Software Cores

- Boot code
- Test code
- Device drivers
- Protocol stacks
- RTOS integration
- Customized board support package

## QPro Virtex-II Pro Device/Package Combinations and Maximum I/Os

Offerings include ball grid array (BGA) packages with 1.0 mm pitch. In addition to traditional wire-bond interconnect (FG packages), flip-chip interconnect (FF packages) is used in some of the BGA offerings. Flip-chip interconnect construction supports more I/Os than are possible in wire-bond versions of similar packages, providing a high pin count and excellent power dissipation.

The device/package combination table ([Table 3](#)) details the maximum number of user I/Os for each device and package using wire-bond or flip-chip technology.

The I/Os per package count includes all user I/Os except the 15 control pins (CCLK, DONE, M0, M1, M2, PROG\_B,

PWRDWN\_B, TCK, TDI, TDO, TMS, HSWAP\_EN, DXN, DXP, and RSVD), VBATT, and the RocketIO transceiver pins.

**Table 3: QPro Virtex-II Pro Device/Package Combinations and Maximum Number of Available I/Os**

Package	FG676	FF1152	FF1704/ EF1704
Pitch (mm)	1.00	1.00	1.00
Size (mm)	26 x 26	35 x 35	42.5 x 42.5
XQ2VP40	416	692	–
XQ2VP70	–	–	996

## Maximum Performance

Maximum performance of the PowerPC processor block varies, depending on package style and speed grade. See [Table 4](#) for details. "DC and Switching Characteristics" ([Module 3](#)) contains the rest of the FPGA fabric performance parameters.

**Table 4: Maximum Processor Block Performance**

Device	Speed Grade		Units
	-6	-5	
PowerPC Processor Block	350 <sup>(1)</sup>	300	MHz

### Notes:

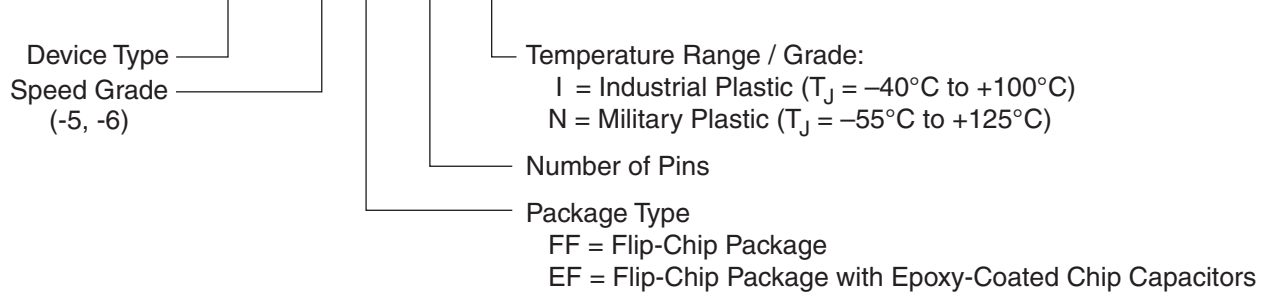
- IMPORTANT! When CPMC405CLOCK runs at speeds greater than 350 MHz in -7 Commercial grade dual-processor devices, or greater than 300 MHz in -6 Industrial grade dual-processor devices, users must implement the technology presented in [XAPP755](#), *PowerPC 405 Clock Macro for -7(C) and -6(I) Speed Grade Dual-Processor Devices*. Refer to [Table 1](#) to identify dual-processor devices.



## QPro Virtex-II Pro Ordering Information

QPro Virtex-II Pro ordering examples are shown in [Figure 1](#) (flip-chip package) and [Figure 2](#) (wire-bond package).

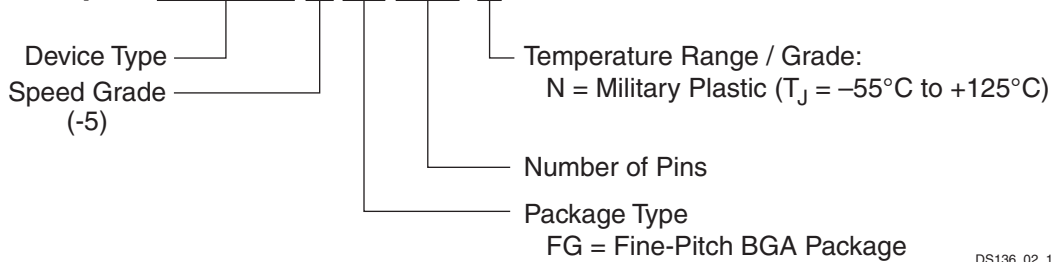
**Example: XQ2VP70 -5 FF 1704 N**



DS136\_01\_112007

Figure 1: QPro Virtex-II Pro Ordering Example, Flip-Chip Package

**Example: XQ2VP40 -5 FG 676 N**



DS136\_02\_112107

Figure 2: QPro Virtex-II Pro Ordering Example, Wire-Bond Package

## Valid Ordering Examples

N Grade	I Grade
XQ2VP40-5FG676N	XQ2VP70-6EF1704I
XQ2VP40-5FF1152N	
XQ2VP70-5FF1704N	

**Notes:**

- 5 and -6 are the only speed grades offered for QPro Virtex-II Pro devices.

## Revision History

This section records the change history for this module of the data sheet.

Date	Version	Revision
11/29/06	1.0	Initial Xilinx release.
12/20/07	2.0	<ul style="list-style-type: none"> <li>• Change data sheet title.</li> <li>• Added support for XQ2VP70-6EF1704I.</li> <li>• Removed support for XQV2P70-6MF1704I.</li> <li>• Updated document template.</li> <li>• Updated URLs.</li> </ul>
07/25/11	2.1	Added <i>Product Not Recommended for New Designs</i> banner.

## QPro Virtex-II Pro Data Sheet

The QPro Virtex-II Pro Data Sheet contains the following modules:

- ["Introduction and Overview" \(Module 1\)](#)
- ["Functional Description" \(Module 2\)](#)
- ["DC and Switching Characteristics" \(Module 3\)](#)
- ["Pinout Information" \(Module 4\)](#)

## Notice of Disclaimer

THE XILINX HARDWARE FPGA AND CPLD DEVICES REFERRED TO HEREIN ("PRODUCTS") ARE SUBJECT TO THE TERMS AND CONDITIONS OF THE XILINX LIMITED WARRANTY WHICH CAN BE VIEWED AT <http://www.xilinx.com/warranty.htm>. THIS LIMITED WARRANTY DOES NOT EXTEND TO ANY USE OF PRODUCTS IN AN APPLICATION OR ENVIRONMENT THAT IS NOT WITHIN THE SPECIFICATIONS STATED IN THE XILINX DATA SHEET. ALL SPECIFICATIONS ARE SUBJECT TO CHANGE WITHOUT NOTICE. PRODUCTS ARE NOT DESIGNED OR INTENDED TO BE FAIL-SAFE OR FOR USE IN ANY APPLICATION REQUIRING FAIL-SAFE PERFORMANCE, SUCH AS LIFE-SUPPORT OR SAFETY DEVICES OR SYSTEMS, OR ANY OTHER APPLICATION THAT INVOKES THE POTENTIAL RISKS OF DEATH, PERSONAL INJURY, OR PROPERTY OR ENVIRONMENTAL DAMAGE ("CRITICAL APPLICATIONS"). USE OF PRODUCTS IN CRITICAL APPLICATIONS IS AT THE SOLE RISK OF CUSTOMER, SUBJECT TO APPLICABLE LAWS AND REGULATIONS.

## QPro Virtex-II Pro Array Functional Description

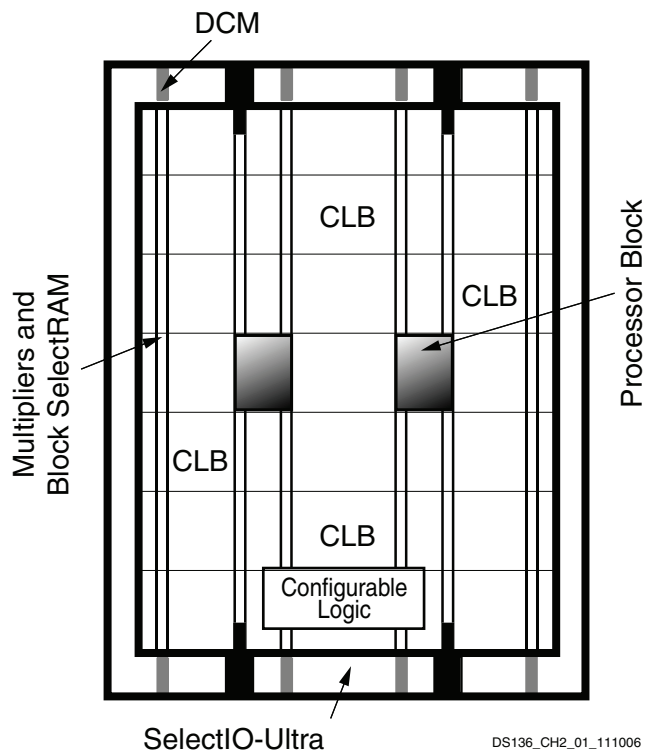


Figure 1: Virtex-II Pro Generic Architecture Overview

This module describes the following QPro Virtex-II Pro functional components, as shown in Figure 1:

- Processor blocks with embedded IBM PowerPC™ 405 RISC CPU core (PPC405) and integration circuitry.
- FPGA fabric based on Virtex-II architecture.

### Virtex-II Pro User Guides

Virtex-II Pro user guides cover theory of operation in more detail, and include implementation details, primitives and attributes, command/instruction sets, and many HDL code examples where appropriate. All parameter specifications are given only in "[DC and Switching Characteristics](#)" (Module 3) of this data sheet.

The following user guides are available:

- For detailed descriptions of PPC405 embedded core programming models and internal core operations, see [PowerPC Processor Reference Guide](#) and [UG018, PowerPC 405 Processor Block Reference Guide](#).
- For detailed descriptions of the FPGA fabric (CLB, IOB, DCM, etc.), see [UG012, Virtex-II Pro Platform FPGA User Guide](#).

All of the documents above, as well as a complete listing and description of Xilinx-developed Intellectual Property cores for Virtex-II Pro, are available on the Xilinx website.

### Contents of This Module

- "[Functional Description: Processor Block](#)"
- "[Functional Description: Embedded PowerPC 405 Core](#)"
- "[Functional Description: FPGA](#)"
- "[Revision History](#)"

### Virtex-II Pro Compared to Virtex-II Devices

Virtex-II Pro devices are built on the Virtex-II FPGA architecture. Most FPGA features are identical to Virtex-II devices. Major differences are described below:

- The Virtex-II Pro FPGA family is the first to incorporate embedded PPC405 and RocketIO cores.
- $V_{CCAUX}$ , the auxiliary supply voltage, is 2.5V instead of 3.3V as for Virtex-II devices. Advanced processing at 0.13  $\mu\text{m}$  has resulted in a smaller die, faster speed, and lower power consumption.
- Virtex-II Pro devices are neither bitstream-compatible nor pin-compatible with Virtex-II devices. However, Virtex-II designs can be compiled into Virtex-II Pro devices.
- On-chip input LVDS differential termination is available.
- SSTL3, AGP-2X/AGP, LVPECL\_33, LVDS\_33, and LVDSEXT\_33 standards are not supported.
- The open-drain output pin TDO does not have an internal pull-up resistor.

## Functional Description: Processor Block

This section briefly describes the interfaces and components of the Processor Block. The subsequent section, "Functional Description: Embedded PowerPC 405 Core," page 5 offers a summary of major PPC405 core features. For an in-depth discussion on both the Processor Block and PPC405, see the *PowerPC Processor Reference Guide* and the *PowerPC 405 Processor Block Reference Guide* available on the Xilinx website at <http://www.xilinx.com>.

### Processor Block Overview

Figure 2 shows the internal architecture of the Processor Block.

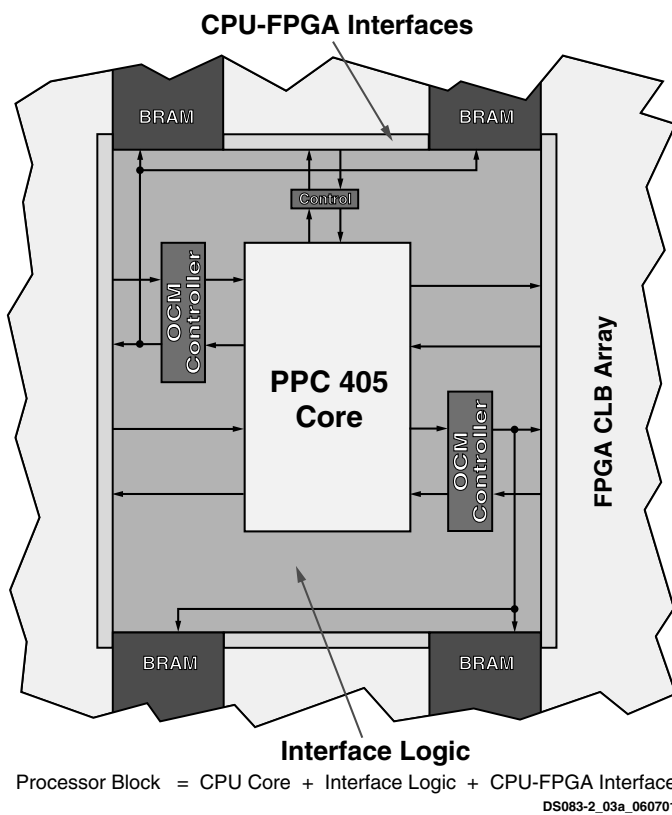


Figure 2: Processor Block Architecture

Within the Virtex-II Pro Processor Block, there are four components:

- Embedded IBM PowerPC 405-D5 RISC CPU core
- On-Chip Memory (OCM) controllers and interfaces
- Clock/control interface logic
- CPU-FPGA Interfaces

### Embedded PowerPC 405 RISC Core

The PowerPC 405D5 core is a 0.13 μm implementation of the IBM PowerPC 405D4 core. The advanced process technology enables the embedded PowerPC 405 (PPC405) core to operate at 300+ MHz while maintaining low power consumption. Specially designed interface logic integrates the core with the surrounding CLBs, block RAMs, and general routing resources. Up to four Processor Blocks can be available in a single Virtex-II Pro device.

The embedded PPC405 core implements the PowerPC User Instruction Set Architecture (UISA), user-level registers, programming model, data types, and addressing modes for 32-bit fixed-point operations. 64-bit operations, auxiliary processor operations, and floating-point operations are trapped and can be emulated in software.

Most of the PPC405 core features are compatible with the specifications for the PowerPC Virtual Environment Architecture (VEA) and Operating Environment Architecture (OEA). They also provide a number of optimizations and extensions to the lower layers of the PowerPC Architecture. The full architecture of the PPC405 is defined by the PowerPC Embedded Environment and PowerPC UISA documentation, available from IBM.

### On-Chip Memory (OCM) Controllers

#### Introduction

The OCM controllers serve as dedicated interfaces between the block RAMs in the FPGA fabric (see "18 Kb Block SelectRAM+ Resources," page 29) and OCM signals available on the embedded PPC405 core. The OCM signals on the PPC405 core are designed to provide very quick access to a fixed amount of instruction and data memory space. The OCM controller provides an interface to both the 64-bit Instruction-Side Block RAM (ISBRAM) and the 32-bit Data-Side Block RAM (DSBRAM). The designer can choose to implement:

- ISBRAM only
- DSBRAM only
- Both ISBRAM and DSBRAM
- No ISBRAM and no DSBRAM

One of OCM's primary advantages is that it guarantees a fixed latency of execution for a higher level of determinism. Additionally, it reduces cache pollution and thrashing, since the cache remains available for caching code from other memory resources.

Typical applications for DSOCM include scratch-pad memory, as well as use of the dual-port feature of block RAM to enable bidirectional data transfer between processor and FPGA. Typical applications for ISOCM include storage of interrupt service routines.

## Functional Features

### Common Features

- Separate Instruction and Data memory interface between processor core and BRAMs in FPGA
- Dedicated interface to Device Control Register (DCR) bus for ISOCM and DSOCM
- Single-cycle and multi-cycle mode option for I-side and D-side interfaces
- Single cycle = one CPU clock cycle; multi-cycle = minimum of two and maximum of eight CPU clock cycles
- FPGA configurable DCR addresses within DSOCM and ISOCM.
- Independent 16 MB logical memory space available within PPC405 memory map for each of the DSOCM and ISOCM. The number of block RAMs in the device might limit the maximum amount of OCM supported.
- Maximum of 64K and 128K bytes addressable from DSOCM and ISOCM interfaces, respectively, using address outputs from OCM directly without additional decoding logic.

### Data-Side OCM (DSOCM)

- 32-bit Data Read bus and 32-bit Data Write bus
- Byte write access to DSBRAM support
- Second port of dual port DSBRAM is available to read/write from an FPGA interface
- 22-bit address to DSBRAM port
- 8-bit DCR Registers: DSCNTL, DSARC
- Three alternatives to write into DSBRAM: BRAM initialization, CPU, FPGA H/W using second port

### Instruction-Side OCM (ISOCM)

The ISOCM interface contains a 64-bit read only port, for instruction fetches, and a 32-bit write only port, to initialize or test the ISBRAM. When implementing the read only port, the user must deassert the write port inputs. The preferred method of initializing the ISBRAM is through the configuration bitstream.

- 64-bit Data Read Only bus (two instructions per cycle)
- 32-bit Data Write Only bus (through DCR)
- Separate 21-bit address to ISBRAM
- 8-bit DCR Registers: ISCNTL, ISARC
- 32-bit DCR Registers: ISINIT, ISFILL
- Two alternatives to write into ISBRAM: BRAM initialization, DCR and write instruction

## Clock/Control Interface Logic

The clock/control interface logic provides proper initialization and connections for PPC405 clock/power management, resets, PLB cycle control, and OCM interfaces. It also couples user signals between the FPGA fabric and the embedded PPC405 CPU core.

The processor clock connectivity is similar to CLB clock pins. It can connect either to global clock nets or general routing resources. Therefore the processor clock source can come from DCM, CLB, or user package pin.

## CPU-FPGA Interfaces

All Processor Block user pins link up with the general FPGA routing resources through the CPU-FPGA interface. Therefore processor signals have the same routability as other non-Processor Block user signals. Longlines and hex lines travel across the Processor Block both vertically and horizontally, allowing signals to route through the Processor Block.

## Processor Local Bus (PLB) Interfaces

The PPC405 core accesses high-speed system resources through PLB interfaces on the instruction and data cache controllers. The PLB interfaces provide separate 32-bit address/64-bit data buses for the instruction and data sides.

The cache controllers are both PLB masters. PLB arbiters are implemented in the FPGA fabric and are available as soft IP cores.

## Device Control Register (DCR) Bus Interface

The device control register (DCR) bus has 10 bits of address space for components external to the PPC405 core. Using the DCR bus to manage status and configuration registers reduces PLB traffic and improves system integrity. System resources on the DCR bus are protected or isolated from wayward code since the DCR bus is not part of the system memory map.

## External Interrupt Controller (EIC) Interface

Two level-sensitive user interrupt pins (critical and non-critical) are available. They can be either driven by user defined logic or Xilinx soft interrupt controller IP core outside the Processor Block.

## Clock/Power Management (CPM) Interface

The CPM interface supports several methods of clock distribution and power management. Three modes of operation that reduce power consumption below the normal operational level are available.

## Reset Interface

There are three user reset input pins (core, chip, and system) and three user reset output pins for different levels of reset, if required.

### Debug Interface

Debugging interfaces on the embedded PPC405 core, consisting of the JTAG and Trace ports, offer access to resources internal to the core and assist in software development. The JTAG port provides basic JTAG chip testing functionality as well as the ability for external debug tools to gain control of the processor for debug purposes. The Trace port furnishes programmers with a mechanism for acquiring instruction execution traces.

The JTAG port complies with IEEE Std 1149.1, which defines a test access port (TAP) and Boundary-Scan architecture. Extensions to the JTAG interface provide debuggers with processor control that includes stopping, starting, and stepping the PPC405 core. These extensions are compliant with the IEEE 1149.1 specifications for vendor-specific extensions.

The Trace port provides instruction execution trace information to an external trace tool. The PPC405 core is capable of back trace and forward trace. Back trace is the tracing of instructions prior to a debug event while forward trace is the tracing of instructions after a debug event.

The processor JTAG port and the FPGA JTAG port can be accessed independently, or the two can be programmatically linked together and accessed via the dedicated FPGA JTAG pins.

For detailed information on the PPC405 JTAG interface, please refer to the "JTAG Interface" section of the *PowerPC 405 Processor Block Reference Guide*

### CoreConnect™ Bus Architecture

The Processor Block is compatible with the CoreConnect™ bus architecture. Any CoreConnect compliant cores including Xilinx soft IP can integrate with the Processor Block through this high-performance bus architecture implemented on FPGA fabric.

The CoreConnect architecture provides three buses for interconnecting Processor Blocks, Xilinx soft IP, third party IP, and custom logic, as shown in **Figure 3**:

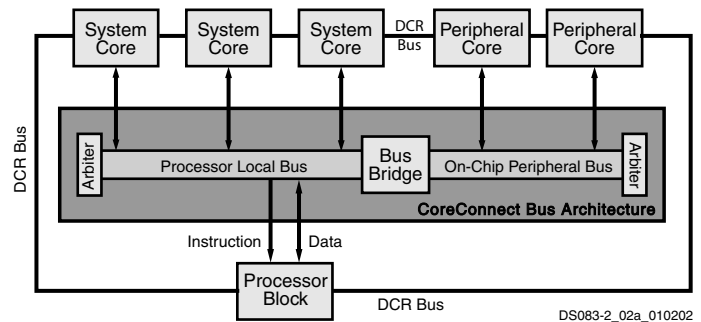


Figure 3: CoreConnect Block Diagram

- Processor Local Bus (PLB)
- On-Chip Peripheral Bus (OPB)
- Device Control Register (DCR) bus

High-performance peripherals connect to the high-bandwidth, low-latency PLB. Slower peripheral cores connect to the OPB, which reduces traffic on the PLB, resulting in greater overall system performance.

For more information, refer to:

[http://www-3.ibm.com/chips/techlib/techlib.nfs/productfamilies/CoreConnect\\_Bus\\_Architecture/](http://www-3.ibm.com/chips/techlib/techlib.nfs/productfamilies/CoreConnect_Bus_Architecture/)

## Functional Description: Embedded PowerPC 405 Core

This section offers a brief overview of the various functional blocks shown in Figure 4.

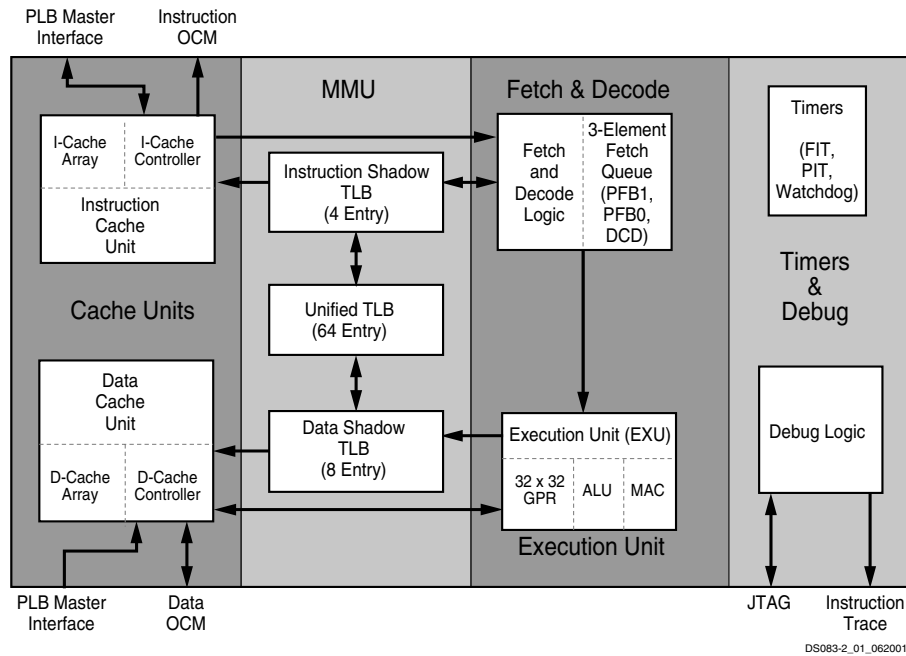


Figure 4: Embedded PPC405 Core Block Diagram

### Embedded PPC405 Core

The embedded PPC405 core is a 32-bit Harvard architecture processor. Figure 4 illustrates its functional blocks:

- Cache units
- Memory Management unit
- Fetch Decode unit
- Execution unit
- Timers
- Debug logic unit

It operates on instructions in a five stage pipeline consisting of a fetch, decode, execute, write-back, and load write-back stage. Most instructions execute in a single cycle, including loads and stores.

### Instruction and Data Cache

The embedded PPC405 core provides an instruction cache unit (ICU) and a data cache unit (DCU) that allow concurrent accesses and minimize pipeline stalls. The instruction and data cache array are 16 KB each. Both cache units are two-way set associative. Each way is organized into 256 lines of 32 bytes (eight words). The instruction set provides a rich assortment of cache control instructions, including instructions to read tag information and data arrays.

The PPC405 core accesses external memory through the instruction (ICU) and data cache units (DCU). The cache

units each include a 64-bit PLB master interface, cache arrays, and a cache controller. The ICU and DCU handle cache misses as requests over the PLB to another PLB device such as an external bus interface unit. Cache hits are handled as single cycle memory accesses to the instruction and data caches.

### Instruction Cache Unit (ICU)

The ICU provides one or two instructions per cycle to the instruction queue over a 64-bit bus. A line buffer (built into the output of the array for manufacturing test) enables the ICU to be accessed only once for every four instructions, to reduce power consumption by the array.

The ICU can forward any or all of the four or eight words of a line fill to the EXU to minimize pipeline stalls caused by cache misses. The ICU aborts speculative fetches abandoned by the EXU, eliminating unnecessary line fills and enabling the ICU to handle the next EXU fetch. Aborting abandoned requests also eliminates unnecessary external bus activity, thereby increasing external bus utilization.

### Data Cache Unit (DCU)

The DCU transfers one, two, three, four, or eight bytes per cycle, depending on the number of byte enables presented by the CPU. The DCU contains a single-element command and store data queue to reduce pipeline stalls; this queue enables the DCU to independently process load/store and cache control instructions. Dynamic PLB request prioritization reduces pipeline stalls even further. When the

DCU is busy with a low-priority request while a subsequent storage operation requested by the CPU is stalled; the DCU automatically increases the priority of the current request to the PLB.

The DCU provides additional features that allow the programmer to tailor its performance for a given application. The DCU can function in write-back or write-through mode, as controlled by the Data Cache Write-through Register (DCWR) or the Translation Look-aside Buffer (TLB); the cache controller can be tuned for a balance of performance and memory coherency. Write-on-allocate, controlled by the store word on allocate (SWOA) field of the Core Configuration Register 0 (CCR0), can inhibit line fills caused by store misses, to further reduce potential pipeline stalls and unwanted external bus traffic.

## Fetch and Decode Logic

The fetch/decode logic maintains a steady flow of instructions to the execution unit by placing up to two instructions in the fetch queue. The fetch queue consists of three buffers: pre-fetch buffer 1 (PFB1), pre-fetch buffer 0 (PFB0), and decode (DCD). The fetch logic ensures that instructions proceed directly to decode when the queue is empty.

Static branch prediction as implemented on the PPC405 core takes advantage of some standard statistical properties of code. Branches with negative address displacement are by default assumed taken. Branches that do not test the condition or count registers are also predicted as taken. The PPC405 core bases branch prediction upon these default conditions when a branch is not resolved and speculatively fetches along the predicted path. The default prediction can be overridden by software at assembly or compile time.

Branches are examined in the decode and pre-fetch buffer 0 fetch queue stages. Two branch instructions can be handled simultaneously. If the branch in decode is not taken, the fetch logic fetches along the predicted path of the branch instruction in pre-fetch buffer 0. If the branch in decode is taken, the fetch logic ignores the branch instruction in pre-fetch buffer 0.

## Execution Unit

The embedded PPC405 core has a single issue execution unit (EXU) containing the register file, arithmetic logic unit (ALU), and the multiply-accumulate (MAC) unit. The execution unit performs all 32-bit PowerPC integer instructions in hardware.

The register file is comprised of thirty-two 32-bit general purpose registers (GPR), which are accessed with three read ports and two write ports. During the decode stage, data is read out of the GPRs and fed to the execution unit. Likewise, during the write-back stage, results are written to the GPR. The use of the five ports on the register file

enables either a load or a store operation to execute in parallel with an ALU operation.

## Memory Management Unit (MMU)

The embedded PPC405 core has a 4 GB address space, which is presented as a flat address space.

The MMU provides address translation, protection functions, and storage attribute control for embedded applications. The MMU supports demand-paged virtual memory and other management schemes that require precise control of logical-to-physical address mapping and flexible memory protection. Working with appropriate system-level software, the MMU provides the following functions:

- Translation of the 4 GB effective address space into physical addresses
- Independent enabling of instruction and data translation/protection
- Page-level access control using the translation mechanism
- Software control of page replacement strategy
- Additional control over protection using zones
- Storage attributes for cache policy and speculative memory access control

The MMU can be disabled under software control. If the MMU is not used, the PPC405 core provides other storage control mechanisms.

## Translation Look-Aside Buffer (TLB)

The Translation Look-Aside Buffer (TLB) is the hardware resource that controls translation and protection. It consists of 64 entries, each specifying a page to be translated. The TLB is fully associative; a given page entry can be placed anywhere in the TLB. The translation function of the MMU occurs pre-cache. Cache tags and indexing use physical addresses.

Software manages the establishment and replacement of TLB entries. This gives system software significant flexibility in implementing a custom page replacement strategy. For example, to reduce TLB thrashing or translation delays, software can reserve several TLB entries in the TLB for globally accessible static mappings. The instruction set provides several instructions used to manage TLB entries. These instructions are privileged and require the software to be executing in supervisor state. Additional TLB instructions are provided to move TLB entry fields to and from GPRs.

The MMU divides logical storage into pages. Eight page sizes (1 KB, 4 KB, 16 KB, 64 KB, 256 KB, 1 MB, 4 MB, and 16 MB) are simultaneously supported, such that, at any given time, the TLB can contain entries for any combination of page sizes. In order for a logical to physical translation to exist, a valid entry for the page containing the logical address must be in the TLB. Addresses for which no TLB entry exists cause TLB-Miss exceptions.



To improve performance, four instruction-side and eight data-side TLB entries are kept in shadow arrays. The shadow arrays allow single-cycle address translation and also help to avoid TLB contention between load/store and instruction fetch operations. Hardware manages the replacement and invalidation of shadow-TLB entries; no system software action is required.

**Memory Protection**

When address translation is enabled, the translation mechanism provides a basic level of protection.

The Zone Protection Register (ZPR) enables the system software to override the TLB access controls. For example, the ZPR provides a way to deny read access to application programs. The ZPR can be used to classify storage by type; access by type can be changed without manipulating individual TLB entries.

The PowerPC Architecture provides WIU0GE (write-back / write-through, cacheability, user-defined 0, guarded, endian) storage attributes that control memory accesses, using bits in the TLB or, when address translation is disabled, storage attribute control registers.

When address translation is enabled, storage attribute control bits in the TLB control the storage attributes associated with the current page. When address translation is disabled, bits in each storage attribute control register control the storage attributes associated with storage regions. Each storage attribute control register contains 32 fields. Each field sets the associated storage attribute for a 128 MB memory region.

**Timers**

The embedded PPC405 core contains a 64-bit time base and three timers, as shown in Figure 5:

- Programmable Interval Timer (PIT)
- Fixed Interval Timer (FIT)
- Watchdog Timer (WDT)

The time base counter increments either by an internal signal equal to the CPU clock rate or by a separate external timer clock signal. No interrupts are generated when the time base rolls over. The three timers are synchronous with the time base.

The PIT is a 32-bit register that decrements at the same rate as the time base is incremented. The user loads the PIT register with a value to create the desired delay. When the register reaches zero, the timer stops decrementing and generates a PIT interrupt. Optionally, the PIT can be programmed to auto-reload the last value written to the PIT register, after which the PIT continues to decrement.

The FIT generates periodic interrupts based on one of four selectable bits in the time base. When the selected bit changes from 0 to 1, the PPC405 core generates a FIT interrupt.

The WDT provides a periodic critical-class interrupt based on a selected bit in the time base. This interrupt can be used for system error recovery in the event of software or system lockups. Users may select one of four time periods for the interval and the type of reset generated if the WDT expires twice without an intervening clear from software. If enabled, the watchdog timer generates a reset unless an exception handler updates the WDT status bit before the timer has completed two of the selected timer intervals.

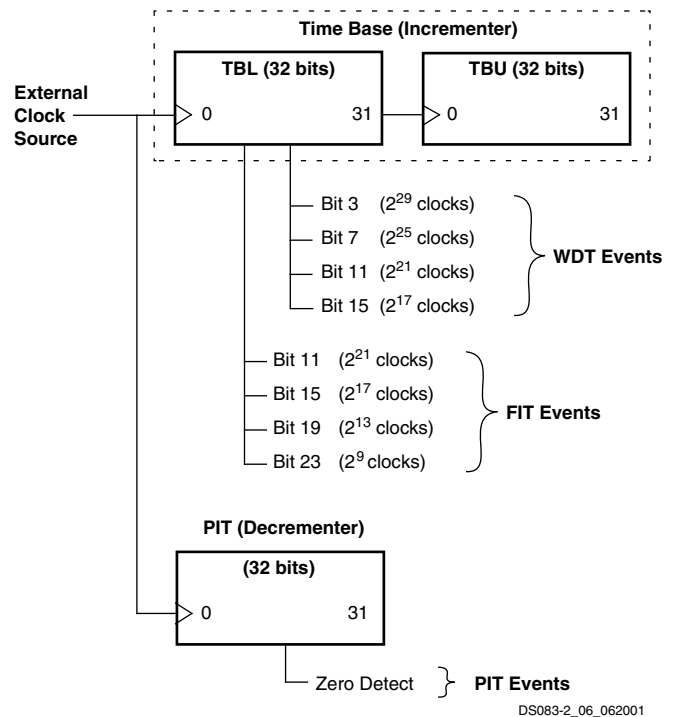


Figure 5: Relationship of Timer Facilities to Base Clock

**Interrupts**

The PPC405 provides an interface to an interrupt controller that is logically outside the PPC405 core. This controller combines the asynchronous interrupt inputs and presents them to the embedded core as a single interrupt signal. The sources of asynchronous interrupts are external signals, the JTAG/debug unit, and any implemented peripherals.

**Debug Logic**

All architected resources on the embedded PPC405 core can be accessed through the debug logic. Upon a debug event, the PPC405 core provides debug information to an external debug tool. Three different types of tools are supported depending on the debug mode: ROM monitors, JTAG debuggers, and instruction trace tools.

In internal debug mode, a debug event enables exception-handling software at a dedicated interrupt vector to take over the CPU core and communicate with a debug tool. The debug tool has read-write access to all registers and can set hardware or software breakpoints. ROM monitors typically use the internal debug mode.

In external debug mode, the CPU core enters stop state (stops instruction execution) when a debug event occurs. This mode offers a debug tool read-write access to all registers in the PPC405 core. Once the CPU core is in stop state, the debug tool can start the CPU core, step an instruction, freeze the timers, or set hardware or software break points. In addition to CPU core control, the debug logic is capable of writing instructions into the instruction cache, eliminating the need for external memory during initial board bring-up. Communication to a debug tool using external debug mode is through the JTAG port.

Debug wait mode offers the same functionality as external debug mode with one exception. In debug wait mode, the CPU core goes into wait state instead of stop state after a debug event. Wait state is identical to stop state until an interrupt occurs. In wait state, the PPC405 core can vector to an exception handler, service an interrupt and return to wait state. This mode is particularly useful when debugging real time control systems.

Real-time trace debug mode is always enabled. The debug logic continuously broadcasts instruction trace information to the trace port. When a debug event occurs, the debug logic signals an external debug tool to save instruction trace information before and after the event. The number of instructions traced depends on the trace tool.

Debug events signal the debug logic to stop the CPU core, put the CPU core in debug wait state, cause a debug exception or save instruction trace information.

## Big Endian and Little Endian Support

The embedded PPC405 core supports big endian or little endian byte ordering for instructions stored in external memory. Since the PowerPC architecture is big endian internally, the ICU rearranges the instructions stored as little endian into the big endian format. Therefore, the instruction cache always contains instructions in big endian format so that the byte ordering is correct for the execution unit. This feature allows the 405 core to be used in systems designed to function in a little endian environment.

## Functional Description: FPGA

### Input/Output Blocks (IOBs)

Virtex-II Pro I/O blocks (IOBs) are provided in groups of two or four on the perimeter of each device. Each IOB can be used as input and/or output for single-ended I/Os. Two IOBs can be used as a differential pair. A differential pair is always connected to the same switch matrix, as shown in Figure 6.

IOB blocks are designed for high-performance I/O, supporting 22 single-ended standards, as well as differential signaling with LVDS, LDT, bus LVDS, and LVPECL.

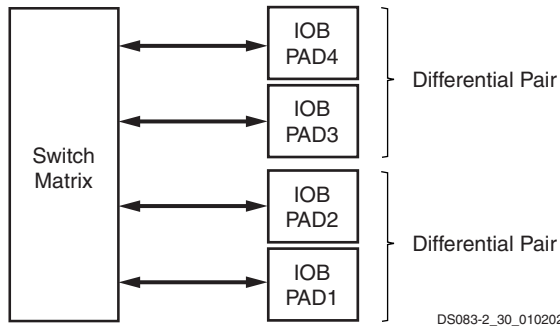


Figure 6: Virtex-II Pro Input/Output Tile

**Note:** Differential I/Os must use the same clock.

### Supported I/O Standards

Virtex-II Pro IOB blocks feature SelectIO-Ultra inputs and outputs that support a wide variety of I/O signaling standards. In addition to the internal supply voltage ( $V_{CCINT} = 1.5V$ ), output driver supply voltage ( $V_{CCO}$ ) is dependent on the I/O standard (see Table 1 and Table 2). An auxiliary supply voltage ( $V_{CCAUX} = 2.5V$ ) is required, regardless of the I/O standard used. For exact supply voltage absolute maximum ratings, see "QPro Virtex-II Pro 1.5V Platform FPGAs:".

All of the user IOBs have fixed-clamp diodes to  $V_{CCO}$  and to ground. The IOBs are not compatible or compliant with 5V I/O standards (not 5V-tolerant).

Table 3, page 10 lists supported I/O standards with Digitally Controlled Impedance. See "Digitally Controlled Impedance (DCI)," page 15.

Table 1: Supported Single-Ended I/O Standards

IOSTANDARD Attribute	Output $V_{CCO}$	Input $V_{CCO}$	Input $V_{REF}$	Board Termination Voltage ( $V_{TT}$ )
LVTTTL <sup>(1)</sup>	3.3	3.3	— <sup>(5)</sup>	—
LVC MOS33 <sup>(1)</sup>	3.3	3.3	—	—
LVC MOS25	2.5	2.5	—	—
LVC MOS18	1.8	1.8	—	—
LVC MOS15	1.5	1.5	—	—
PCI33_3	Note (2)	Note (2)	—	—

Table 1: Supported Single-Ended I/O Standards (Cont'd)

IOSTANDARD Attribute	Output $V_{CCO}$	Input $V_{CCO}$	Input $V_{REF}$	Board Termination Voltage ( $V_{TT}$ )
PCI66_3	Note (2)	Note (2)	—	—
PCIX	Note (2)	Note (2)	—	—
GTL	Note (3)	Note (3)	0.8	1.2
GTL P	Note (3)	Note (3)	1.0	1.5
HSTL_I	1.5	—	0.75	0.75
HSTL_II	1.5	—	0.75	0.75
HSTL_III	1.5	—	0.9	1.5
HSTL_IV	1.5	—	0.9	1.5
HSTL_I_18	1.8	—	0.9	0.9
HSTL_II_18	1.8	—	0.9	0.9
HSTL_III_18	1.8	—	1.1	1.8
HSTL_IV_18	1.8	—	1.1	1.8
SSTL2_I	2.5	—	1.25	1.25
SSTL2_II	2.5	—	1.25	1.25
SSTL18_I <sup>(4)</sup>	1.8	—	0.9	0.9
SSTL18_II	1.8	—	0.9	0.9

**Notes:**

1. Refer to [XAPP659](#), *Virtex-II Pro / Virtex-II Pro X 3.3V I/O Design Guidelines*, for more details on interfacing to these 3.3V standards.
2. For PCI and PCI-X standards, refer to [XAPP653](#), *3.3V PCI Design Guidelines*.
3.  $V_{CCO}$  of GTL or GTLP should not be lower than the termination voltage or the voltage seen at the I/O pad. *Example:* If the pin High level is 1.5V, connect  $V_{CCO}$  to 1.5V.
4. SSTL18\_I is not a JEDEC-supported standard.
5. Locations marked with a dash indicate no requirement.

Table 2: Supported Differential Signal I/O Standards

I/O Standard	Output $V_{CCO}$	Input $V_{CCO}$	Input $V_{REF}$	Output $V_{OD}$
LDT_25	2.5	— <sup>(2)</sup>	—	0.500 – 0.740
LVDS_25	2.5	—	—	0.247 – 0.454
LV DSEXT_25	2.5	—	—	0.440 – 0.820
BLVDS_25	2.5	—	—	0.250 – 0.450
ULVDS_25	2.5	—	—	0.500 – 0.740
LVPECL_25	2.5	—	—	0.345 – 1.185
LDT_25_DT <sup>(1)</sup>	2.5	2.5	—	0.500 – 0.740
LVDS_25_DT <sup>(1)</sup>	2.5	2.5	—	0.247 – 0.454
LV DSEXT_25_DT <sup>(1)</sup>	2.5	2.5	—	0.330 – 0.700
ULVDS_25_DT <sup>(1)</sup>	2.5	2.5	—	0.500 – 0.740

**Notes:**

1. These standards support on-chip 100Ω termination.
2. Locations marked with a dash indicate no requirement.

Table 3: Supported DCI I/O Standards

I/O Standard	Output V <sub>CCO</sub>	Input V <sub>CCO</sub>	Input V <sub>REF</sub>	Termination Type
LVDCI_33 <sup>(1)</sup>	3.3	3.3	– <sup>(4)</sup>	Series
LVDCI_25	2.5	2.5	–	Series
LVDCI_DV2_25	2.5	2.5	–	Series
LVDCI_18	1.8	1.8	–	Series
LVDCI_DV2_18	1.8	1.8	–	Series
LVDCI_15	1.5	1.5	–	Series
LVDCI_DV2_15	1.5	1.5	–	Series
GTL_DCI	1.2	1.2	0.8	Single
GTL_P_DCI	1.5	1.5	1.0	Single
HSTL_I_DCI	1.5	1.5	0.75	Split
HSTL_II_DCI	1.5	1.5	0.75	Split
HSTL_III_DCI	1.5	1.5	0.9	Single
HSTL_IV_DCI	1.5	1.5	0.9	Single
HSTL_I_DCI_18	1.8	1.8	0.9	Split
HSTL_II_DCI_18	1.8	1.8	0.9	Split
HSTL_III_DCI_18	1.8	1.8	1.1	Single
HSTL_IV_DCI_18	1.8	1.8	1.1	Single
SSTL2_I_DCI <sup>(2)</sup>	2.5	2.5	1.25	Split
SSTL2_II_DCI <sup>(2)</sup>	2.5	2.5	1.25	Split
SSTL18_I_DCI <sup>(3)</sup>	1.8	1.8	0.9	Split
SSTL18_II_DCI	1.8	1.8	0.9	Split
LVDS_25_DCI	2.5	2.5	–	Split
LVDS_25_DCI	2.5	2.5	–	Split

**Notes:**

1. LVDCI\_XX is LVCMOS output controlled impedance buffers, matching all or half of the reference resistors.
2. These are SSTL compatible.
3. SSTL18\_I is not a JEDEC-supported standard.
4. Locations marked with a dash indicate no requirement.

**Logic Resources**

IOB blocks include six storage elements, as shown in Figure 7.

Each storage element can be configured either as an edge-triggered D-type flip-flop or as a level-sensitive latch. On the input, output, and three-state path, one or two DDR registers can be used.

Double data rate is directly accomplished by the two registers on each path, clocked by the rising edges (or falling edges) from two different clock nets. The two clock signals are generated by the DCM and must be 180 degrees out of phase, as shown in Figure 8, page 11. There are two input, output, and three-state data signals, each being alternately clocked out.

This DDR mechanism can be used to mirror a copy of the clock on the output. This is useful for propagating a clock along the data that has an identical delay. It is also useful for multiple clock generation, where there is a unique clock

driver for every clock load. Virtex-II Pro devices can produce many copies of a clock with very little skew.

Each group of two registers has a clock enable signal (ICE for the input registers, OCE for the output registers, and TCE for the three-state registers). The clock enable signals are active High by default. If left unconnected, the clock enable for that storage element defaults to the active state.

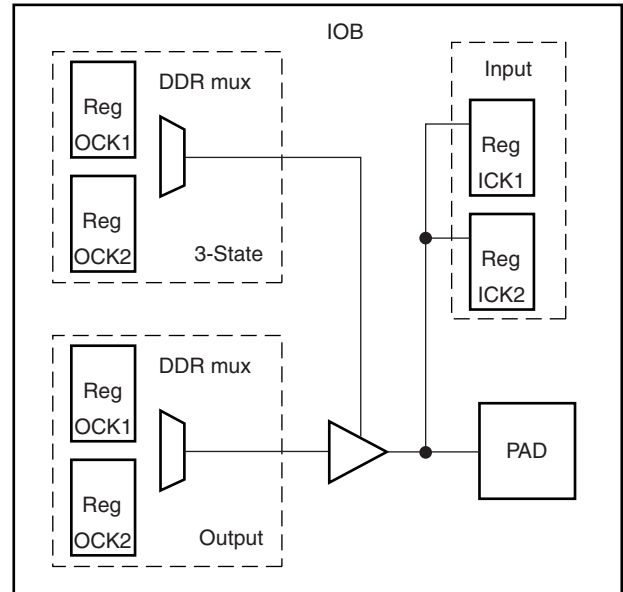


Figure 7: Virtex-II Pro IOB Block

Each IOB block has common synchronous or asynchronous set and reset (SR and REV signals). Two neighboring IOBs have a shared routing resource connecting the ICLK and OTCLK pins on pairs of IOBs. If two adjacent IOBs using DDR registers do not share the same clock signals on their clock pins (ICLK1, ICLK2, OTCLK1, and OTCLK2), one of the clock signals will be unroutable.

The IOB pairing is identical to the LVDS IOB pairs. Hence, the package pin-out table can also be used for pin assignment to avoid conflict.

SR forces the storage element into the state specified by the SRHIGH or SRLOW attribute. SRHIGH forces a logic 1. SRLOW forces a logic "0". When SR is used, a second input (REV) forces the storage element into the opposite state. The reset condition predominates over the set condition. The initial state after configuration or global initialization state is defined by a separate INIT0 and INIT1 attribute. By default, the SRLOW attribute forces INIT0, and the SRHIGH attribute forces INIT1.

For each storage element, the SRHIGH, SRLOW, INIT0, and INIT1 attributes are independent. Synchronous or asynchronous set / reset is consistent in an IOB block.

All the control signals have independent polarity. Any inverter placed on a control input is automatically absorbed.

Each register or latch, independent of all other registers or latches, can be configured as follows:

- No set or reset
- Synchronous set
- Synchronous reset
- Synchronous set and reset

- Asynchronous set (preset)
- Asynchronous reset (clear)
- Asynchronous set and reset (preset and clear)

The synchronous reset overrides a set, and an asynchronous clear overrides a preset (refer to Figure 9).

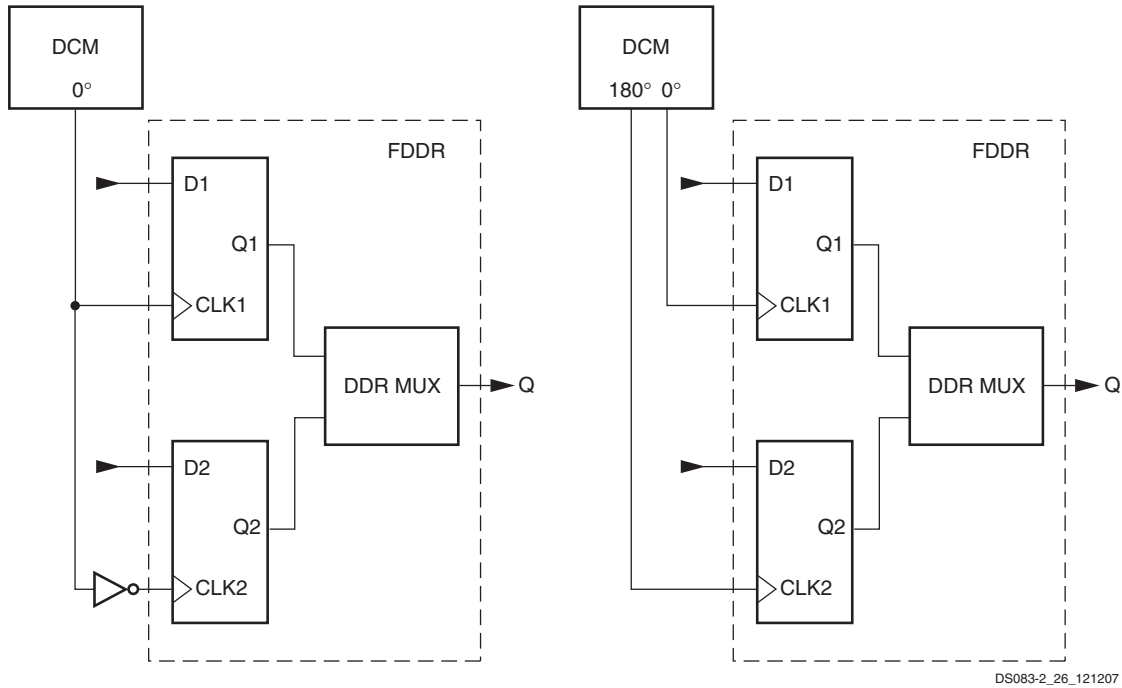


Figure 8: Double Data Rate Registers

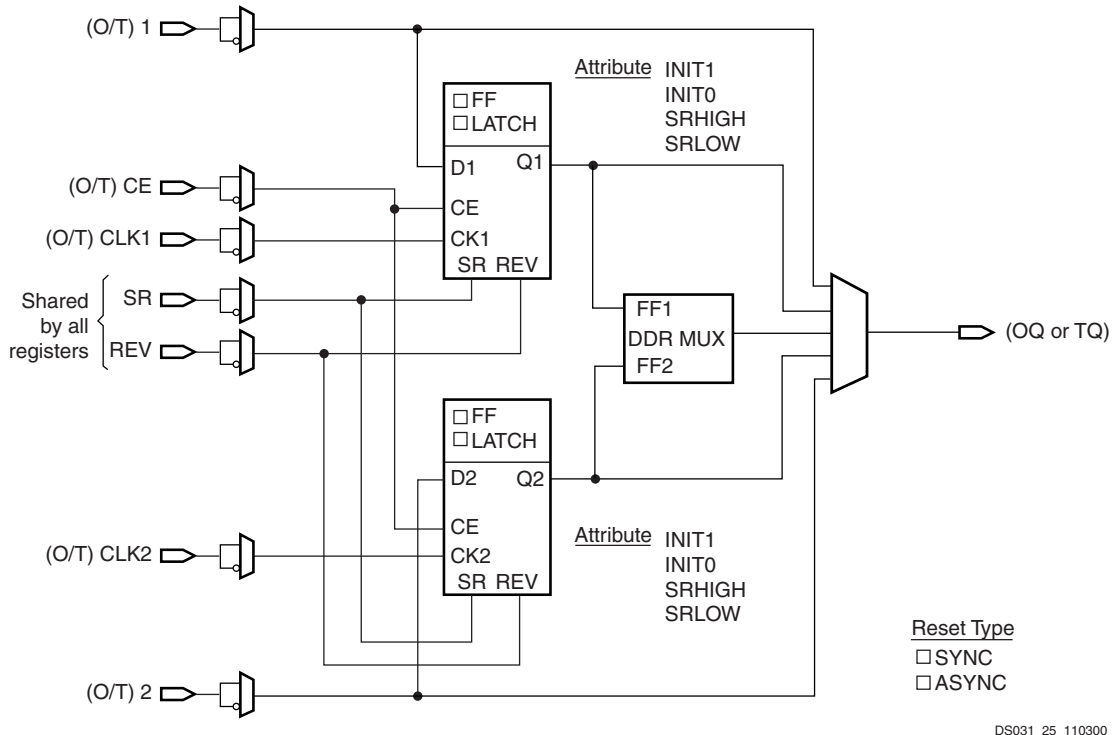


Figure 9: Register / Latch Configuration in an IOB Block

**Input/Output Individual Options**

Each device pad has optional pull-up/pull-down resistors and weak-keeper circuit in the LVTTTL, LVCMOS, and PCI SelectIO-Ultra configurations, as illustrated in Figure 10. Values of the optional pull-up and pull-down resistors fall within a range of 40 KΩ to 120 KΩ when V<sub>CCO</sub> = 2.5V (from 2.38V to 2.63V only). The clamp diodes are always present, even when power is not.

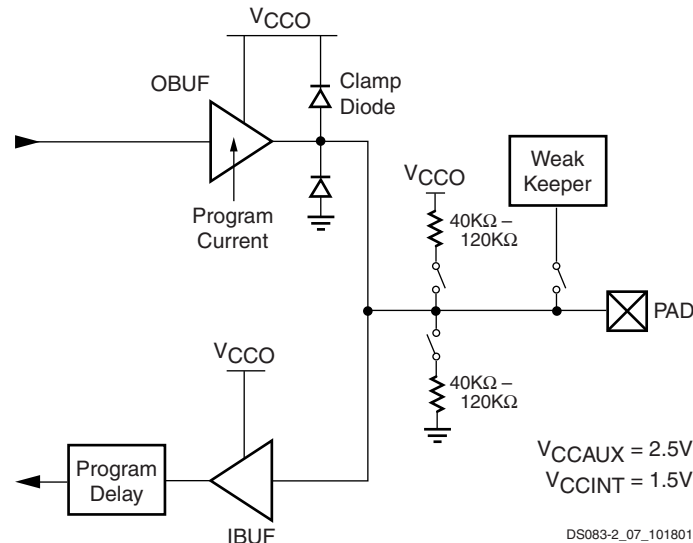


Figure 10: LVTTTL, LVCMOS, or PCI SelectIO-Ultra Standard

The optional weak-keeper circuit is connected to each user I/O pad. When selected, the circuit monitors the voltage on the pad and weakly drives the pin High or Low. If the pin is connected to a multiple-source signal, the weak-keeper holds the signal in its last state if all drivers are disabled. Maintaining a valid logic level in this way eliminates bus chatter. An enabled pull-up or pull-down overrides the weak-keeper circuit.

LVCMOS25 sinks and sources current up to 24 mA. The current is programmable (see Table 4). Drive strength and slew rate controls for each output driver minimize bus

Table 4: LVCMOS Programmable Currents (Sink and Source)

SelectIO-Ultra	Programmable Current (Worst-Case Guaranteed Minimum)						
LVTTTL	2 mA	4 mA	6 mA	8 mA	12 mA	16 mA	24 mA
LVCMOS33	2 mA	4 mA	6 mA	8 mA	12 mA	16 mA	24 mA
LVCMOS25	2 mA	4 mA	6 mA	8 mA	12 mA	16 mA	24 mA
LVCMOS18	2 mA	4 mA	6 mA	8 mA	12 mA	16 mA	n/a
LVCMOS15	2 mA	4 mA	6 mA	8 mA	12 mA	16 mA	n/a

transients. For LVDCI and LVDCI\_DV2 standards, drive strength and slew rate controls are not available.

Figure 11 shows the SSTL2, SSTL18, and HSTL configurations. HSTL can sink current up to 48 mA. (HSTL IV)

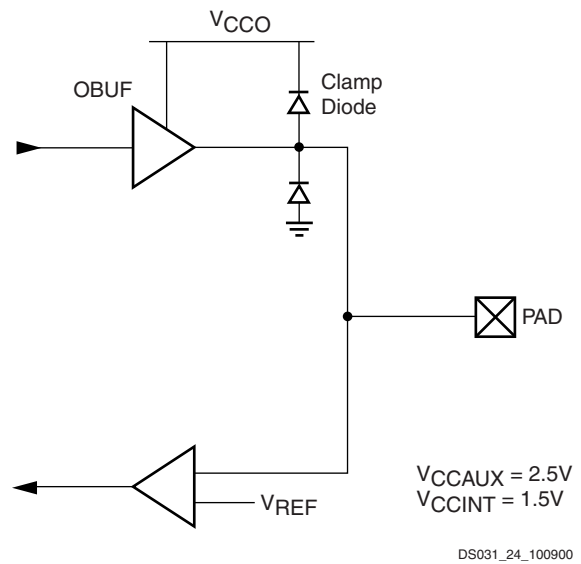


Figure 11: SSTL or HSTL SelectIO-Ultra Standards

All pads are protected against damage from electrostatic discharge (ESD) and from over-voltage transients. Virtex-II Pro uses two memory cells to control the configuration of an I/O as an input. This is to reduce the probability of an I/O configured as an input from flipping to an output when subjected to a single event upset (SEU) in space applications.

Prior to configuration, all outputs not involved in configuration are forced into their high-impedance state. The pull-down resistors and the weak-keeper circuits are inactive. The dedicated pin HSWAP\_EN controls the pull-up resistors prior to configuration. By default, HSWAP\_EN is set High, which disables the pull-up resistors on user I/O pins. When HSWAP\_EN is set Low, the pull-up resistors are activated on user I/O pins.

All Virtex-II Pro IOBs (except RocketIO transceiver pins) support IEEE 1149.1 and IEEE 1532 compatible Boundary-Scan testing.

### Input Path

The Virtex-II Pro IOB input path routes input signals directly to internal logic and / or through an optional input flip-flop or latch, or through the DDR input registers. An optional delay element at the D-input of the storage element eliminates pad-to-pad hold time. The delay is matched to the internal clock-distribution delay of the Virtex-II Pro device, and when used, assures that the pad-to-pad hold time is zero.

Each input buffer can be configured to conform to any of the low-voltage signaling standards supported. In some of these standards the input buffer utilizes a user-supplied threshold voltage,  $V_{REF}$ . The need to supply  $V_{REF}$  imposes constraints on which standards can be used in the same bank. See I/O banking description.

### Output Path

The output path includes a three-state output buffer that drives the output signal onto the pad. The output and / or the 3-state signal can be routed to the buffer directly from the internal logic or through an output / three-state flip-flop or latch, or through the DDR output / three-state registers.

Each output driver can be individually programmed for a wide range of low-voltage signaling standards. In most signaling standards, the output High voltage depends on an externally supplied  $V_{CCO}$  voltage. The need to supply  $V_{CCO}$  imposes constraints on which standards can be used in the same bank. See I/O banking description.

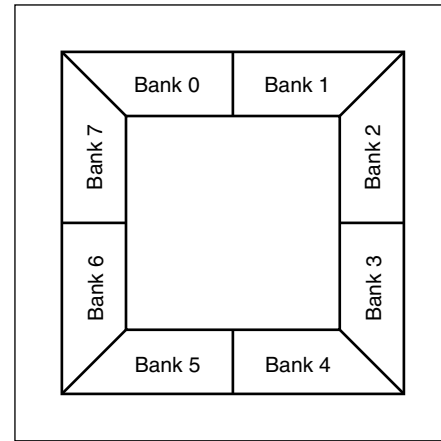
### I/O Banking

Some of the I/O standards described above require  $V_{CCO}$  and  $V_{REF}$  voltages. These voltages are externally supplied and connected to device pins that serve groups of IOB blocks, called banks. Consequently, restrictions exist about which I/O standards can be combined within a given bank.

Eight I/O banks result from dividing each edge of the FPGA into two banks, as shown in Figure 12 and Figure 13. Each bank has multiple  $V_{CCO}$  pins, all of which must be connected to the same voltage. This voltage is determined by the output standards in use.

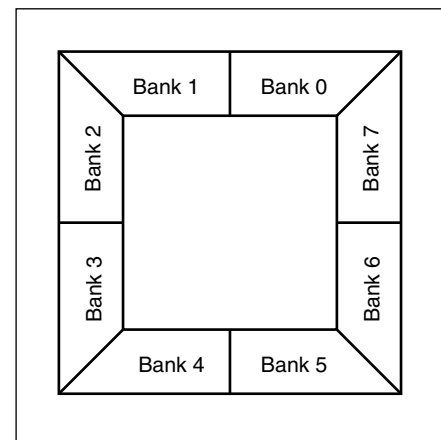
Some input standards require a user-supplied threshold voltage ( $V_{REF}$ ), and certain user-I/O pins are automatically configured as  $V_{REF}$  inputs. Approximately one in six of the I/O pins in the bank assume this role.

$V_{REF}$  pins within a bank are interconnected internally, thus only one  $V_{REF}$  voltage can be used within each bank. However, for correct operation, all  $V_{REF}$  pins in the bank must be connected to the external reference voltage source.



ug002\_c2\_014\_041403

Figure 12: I/O Banks: Wire-Bond Packages (FG)  
Top View



ds031\_66\_041403

Figure 13: I/O Banks: Flip-Chip Packages (FF)  
Top View

The  $V_{CCO}$  and the  $V_{REF}$  pins for each bank appear in the device pinout tables. Within a given package, the number of  $V_{REF}$  and  $V_{CCO}$  pins can vary depending on the size of device. In larger devices, more I/O pins convert to  $V_{REF}$  pins. Since these are always a superset of the  $V_{REF}$  pins used for smaller devices, it is possible to design a PCB that permits migration to a larger device if necessary.

All  $V_{REF}$  pins for the largest device anticipated must be connected to the  $V_{REF}$  voltage and not used for I/O. In smaller devices, some  $V_{CCO}$  pins used in larger devices do not connect within the package. These unconnected pins can be left unconnected externally, or, if necessary, they can be connected to  $V_{CCO}$  to permit migration to a larger device.

### Rules for Combining I/O Standards in the Same Bank

The following rules must be obeyed to combine different input, output, and bidirectional standards in the same bank:

- **Combining output standards only.** Output standards with the same output  $V_{CCO}$  requirement can be combined in the same bank.

*Compatible example:*

SSTL2\_I and LVDS\_25 outputs

*Incompatible example:*

SSTL2\_I (output  $V_{CCO} = 2.5V$ ) and LVC MOS33 (output  $V_{CCO} = 3.3V$ ) outputs

- **Combining input standards only.** Input standards with the same input  $V_{CCO}$  and input  $V_{REF}$  requirements can be combined in the same bank.

*Compatible example:*

LVC MOS15 and HSTL\_IV inputs

*Incompatible example:*

LVC MOS15 (input  $V_{CCO} = 1.5V$ ) and LVC MOS18 (input  $V_{CCO} = 1.8V$ ) inputs

*Incompatible example:*

HSTL\_I\_DCI\_18 ( $V_{REF} = 0.9V$ ) and HSTL\_IV\_DCI\_18 ( $V_{REF} = 1.1V$ ) inputs

- **Combining input standards and output standards.** Input standards and output standards with the same input  $V_{CCO}$  and output  $V_{CCO}$  requirement can be combined in the same bank.

*Compatible example:*

LVDS\_25 output and HSTL\_I input

*Incompatible example:*

LVDS\_25 output (output  $V_{CCO} = 2.5V$ ) and HSTL\_I\_DCI\_18 input (input  $V_{CCO} = 1.8V$ )

- **Combining bidirectional standards with input or output standards.** When combining bidirectional I/O with other standards, make sure the bidirectional standard can meet rules 1 through 3 above.

- **Additional rules for combining DCI I/O standards.**

- ◆ No more than one Single Termination type (input or output) is allowed in the same bank.

*Incompatible example:*

HSTL\_IV\_DCI input and HSTL\_III\_DCI input

- ◆ No more than one Split Termination type (input or output) is allowed in the same bank.

*Incompatible example:*

HSTL\_I\_DCI input and HSTL\_II\_DCI input

The implementation tools will enforce the above design rules.

Table 5, summarizes all standards and voltage supplies.

**Table 5: Summary of Voltage Supply Requirements for All Input and Output Standards**

I/O Standard	$V_{CCO}$		$V_{REF}$	Termination Type	
	Output	Input	Input	Output	Input
LVTTTL <sup>(1)</sup>	3.3	3.3	— <sup>(4)</sup>	—	—
LVC MOS33 <sup>(1)</sup>			—	—	—
LVDCI_33 <sup>(1)</sup>			—	Series	—
PCIX <sup>(2)</sup>			—	—	—
PCI33_3 <sup>(2)</sup>			—	—	—
PCI66_3 <sup>(2)</sup>			—	—	—
LVDS_25	2.5	Note (3)	—	—	—
LVDSEXT_25			—	—	—
LDT_25			—	—	—
ULVDS_25			—	—	—
BLVDS_25			—	—	—
LVPECL_25			—	—	—
SSTL2_I			1.25	—	—
SSTL2_II			1.25	—	—
LVC MOS25			—	—	—
LVDCI_25			—	Series	—
LVDCI_DV2_25			—	Series	—
LVDS_25_DCI			—	—	Split
LVDSEXT_25_DCI			—	—	Split
SSTL2_I_DCI			1.25	—	Split
SSTL2_II_DCI	1.25	Split	Split		
LVDS_25_DT	—	—	—		
LVDSEXT_25_DT	—	—	—		
LDT_25_DT	—	—	—		
ULVDS_25_DT	—	—	—		
HSTL_III_18	1.8	Note (3)	1.1	—	—
HSTL_IV_18			1.1	—	—
HSTL_I_18			0.9	—	—
HSTL_II_18			0.9	—	—
SSTL18_I			0.9	—	—
SSTL18_II			0.9	—	—
LVC MOS18	1.8	1.8	—	—	—
LVDCI_18			—	Series	—
LVDCI_DV2_18			—	Series	—
HSTL_III_DCI_18			1.1	—	Single
HSTL_IV_DCI_18			1.1	Single	Single
HSTL_I_DCI_18			0.9	—	Split
HSTL_II_DCI_18			0.9	Split	Split
SSTL18_I_DCI			0.9	—	Split
SSTL18_II_DCI			0.9	Split	Split



Table 5: Summary of Voltage Supply Requirements for All Input and Output Standards (Cont'd)

I/O Standard	V <sub>CCO</sub>		V <sub>REF</sub>	Termination Type				
	Output	Input	Input	Output	Input			
HSTL_III	1.5	Note (3)	0.9	–	–			
HSTL_IV			0.9	–	–			
HSTL_I			0.75	–	–			
HSTL_II			0.75	–	–			
LVC MOS15		1.5	1.5	–	–	–		
LVDCI_15				–	Series	–		
LVDCI_DV2_15				–	Series	–		
GTLP_DCI				1	Single	Single		
HSTL_III_DCI				0.9	–	Single		
HSTL_IV_DCI				0.9	Single	Single		
HSTL_I_DCI				0.75	–	Split		
HSTL_II_DCI				0.75	Split	Split		
GTL_DCI				1.2	1.2	0.8	Single	Single
GTLP				–	Note (3)	1	–	–
GTL	0.8	–	–					

**Notes:**

1. See application note *Virtex-II Pro / Virtex-II Pro X 3.3V I/O Design Guidelines*, for more detailed information.
2. See application note *3.3V PCI Design Guidelines* for more detailed information.
3. Pin voltage must not exceed V<sub>CCO</sub>.
4. Locations marked with a dash indicate no requirement.

**Digitally Controlled Impedance (DCI)**

Today's chip output signals with fast edge rates require termination to prevent reflections and maintain signal integrity. High pin count packages (especially ball grid arrays) can not accommodate external termination resistors.

Virtex-II Pro XCITE DCI provides controlled impedance drivers and on-chip termination for single-ended and differential I/Os. This eliminates the need for external resistors and improves signal integrity. The DCI feature can be used on any IOB by selecting one of the DCI I/O standards.

When applied to inputs, DCI provides input parallel termination. When applied to outputs, DCI provides controlled impedance drivers (series termination) or output parallel termination.

DCI operates independently on each I/O bank. When a DCI I/O standard is used in a particular I/O bank, external reference resistors must be connected to two dual-function pins on the bank. These resistors, voltage reference of N transistor (VRN) and the voltage reference of P transistor (VRP) are shown in Figure 14.

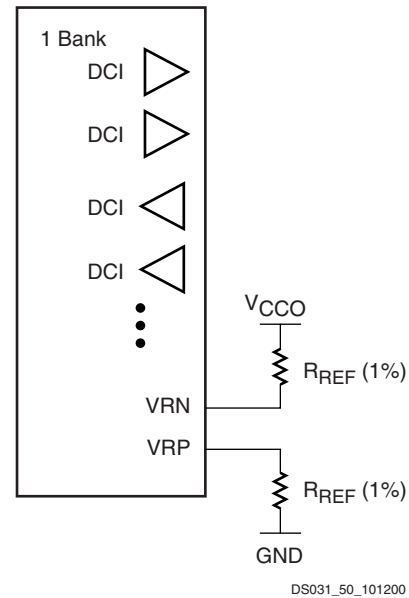


Figure 14: DCI in a Virtex-II Pro Bank

When used with a terminated I/O standard, the value of the resistors are specified by the standard (typically 50Ω). When used with a controlled impedance driver, the resistors set the output impedance of the driver within the specified range (20Ω to 100Ω). For all series and parallel terminations listed in Table 6, page 16 and Table 7, page 16, the reference resistors must have the same value for any given bank. One percent resistors are recommended.

The DCI system adjusts the I/O impedance to match the two external reference resistors, or half of the reference resistors, and compensates for impedance changes due to voltage and/or temperature fluctuations. The adjustment is done by turning parallel transistors in the IOB on or off.

**Controlled Impedance Drivers (Series Termination)**

DCI can be used to provide a buffer with a controlled output impedance (Figure 15). It is desirable for this output impedance to match the transmission line impedance (Z<sub>0</sub>). Virtex-II Pro input buffers also support LVDCI and LVDCI\_DV2.

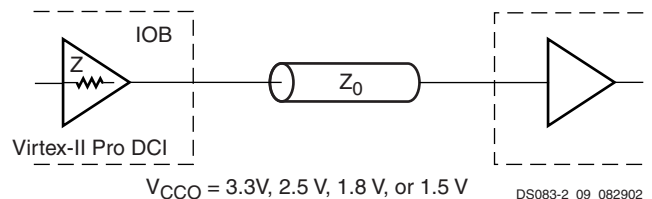


Figure 15: Internal Series Termination

**Table 6: SelectIO-Ultra Controlled Impedance Buffers**

V <sub>CCO</sub>	DCI	DCI Half Impedance
3.3V	LVDCI_33	N/A
2.5V	LVDCI_25	LVDCI_DV2_25
1.8V	LVDCI_18	LVDCI_DV2_18
1.5V	LVDCI_15	LVDCI_DV2_15

### Controlled Impedance Terminations (Parallel)

DCI also provides on-chip termination for SSTL2, SSTL18, HSTL (Class I, II, III, or IV), LVDS\_25, LVDSEXT\_25, and GTL/GTLP receivers or transmitters on bidirectional lines. [Table 7](#) and [Table 8](#) list the on-chip parallel terminations available in Virtex-II Pro devices. V<sub>CCO</sub> must be set according to [Table 3, page 10](#). There is a V<sub>CCO</sub> requirement for GTL\_DCI and GTLP\_DCI, due to the on-chip termination resistor.

**Table 7: SelectIO-Ultra Buffers With On-Chip Parallel Termination**

I/O Standard Description	IOSTANDARD Attribute	
	External Termination	On-Chip Termination
SSTL Class I, 2.5V	SSTL2_I	SSTL2_I_DCI <sup>(1)</sup>
SSTL Class II, 2.5V	SSTL2_II	SSTL2_II_DCI <sup>(1)</sup>
SSTL Class I, 1.8V	SSTL18_I	SSTL18_I_DCI
SSTL Class II, 1.8V	SSTL18_II	SSTL18_II_DCI
HSTL Class I	HSTL_I	HSTL_I_DCI
HSTL Class I, 1.8V	HSTL_I_18	HSTL_I_DCI_18
HSTL Class II	HSTL_II	HSTL_II_DCI
HSTL Class II, 1.8V	HSTL_II_18	HSTL_II_DCI_18
HSTL Class III	HSTL_III	HSTL_III_DCI
HSTL Class III, 1.8V	HSTL_III_18	HSTL_III_DCI_18
HSTL Class IV	HSTL_IV	HSTL_IV_DCI
HSTL Class IV, 1.8V	HSTL_IV_18	HSTL_IV_DCI_18
GTL	GTL	GTL_DCI
GTL Plus	GTLP	GTLP_DCI

**Notes:**

1. SSTL compatible.

**Table 8: SelectIO-Ultra Differential Buffers With On-Chip Termination**

I/O Standard Description	IOSTANDARD Attribute	
	External Termination	On-Chip Termination
LVDS 2.5V	LVDS_25	LVDS_25_DCI
LVDS Extended 2.5V	LVDSEXT_25	LVDSEXT_25_DCI

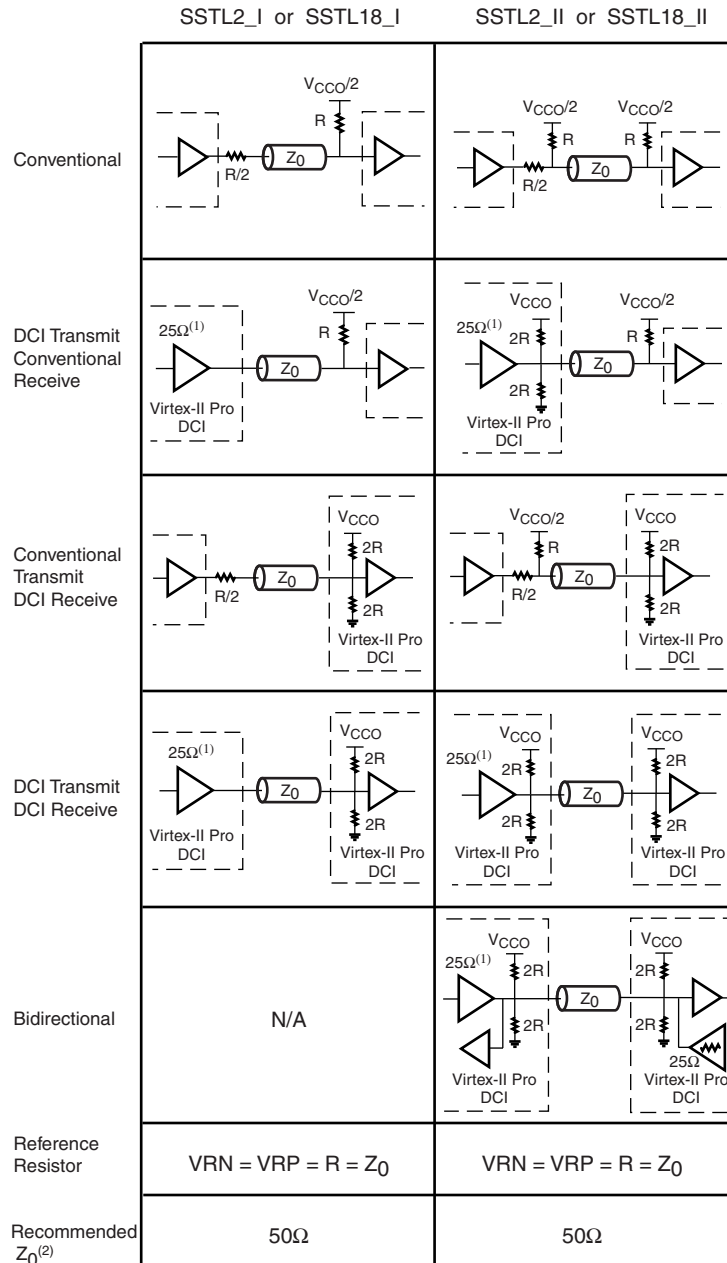
Figure 16 provides examples illustrating the use of the HSTL\_I\_DCI, HSTL\_II\_DCI, HSTL\_III\_DCI, and HSTL\_IV\_DCI I/O standards. For a complete list, see the *Virtex-II Pro Platform FPGA User Guide*.

	HSTL_I	HSTL_II	HSTL_III	HSTL_IV
Conventional				
DCI Transmit Conventional Receive				
Conventional Transmit DCI Receive				
DCI Transmit DCI Receive				
Bidirectional	N/A		N/A	
Reference Resistor	$VRN = VRP = R = Z_0$	$VRN = VRP = R = Z_0$	$VRN = VRP = R = Z_0$	$VRN = VRP = R = Z_0$
Recommended $Z_0$	50Ω	50Ω	50Ω	50Ω

DS083-2\_65a\_082102

Figure 16: HSTL DCI Usage Examples

Figure 17 provides examples illustrating the use of the SSTL2\_I\_DCI, SSTL2\_II\_DCI, SSTL18\_I\_DCI, and SSTL18\_II\_DCI I/O standards. For a complete list, see the *Virtex-II Pro Platform FPGA User Guide*



DS083-2\_65b\_011603

**Notes:**

1. The SSTL-compatible 25Ω series resistor is accounted for in the DCI buffer, and it is not DCI controlled.
2.  $Z_0$  is the recommended PCB trace impedance.

Figure 17: SSTL DCI Usage Examples

Figure 18 provides examples illustrating the use of the LVDS\_25\_DCI and LVDSEXT\_25\_DCI I/O standards. For a complete list, see the *Virtex-II Pro Platform FPGA User Guide*.

Figure 19 provides examples illustrating the use of the LVDS\_25\_DT, LVDSEXT\_25\_DT, LDT\_25\_DT, and ULVDS\_25\_DT I/O standards. For further details, refer to [Solution Record 17244](#). Also see the *Virtex-II Pro Platform FPGA User Guide* for more design information.

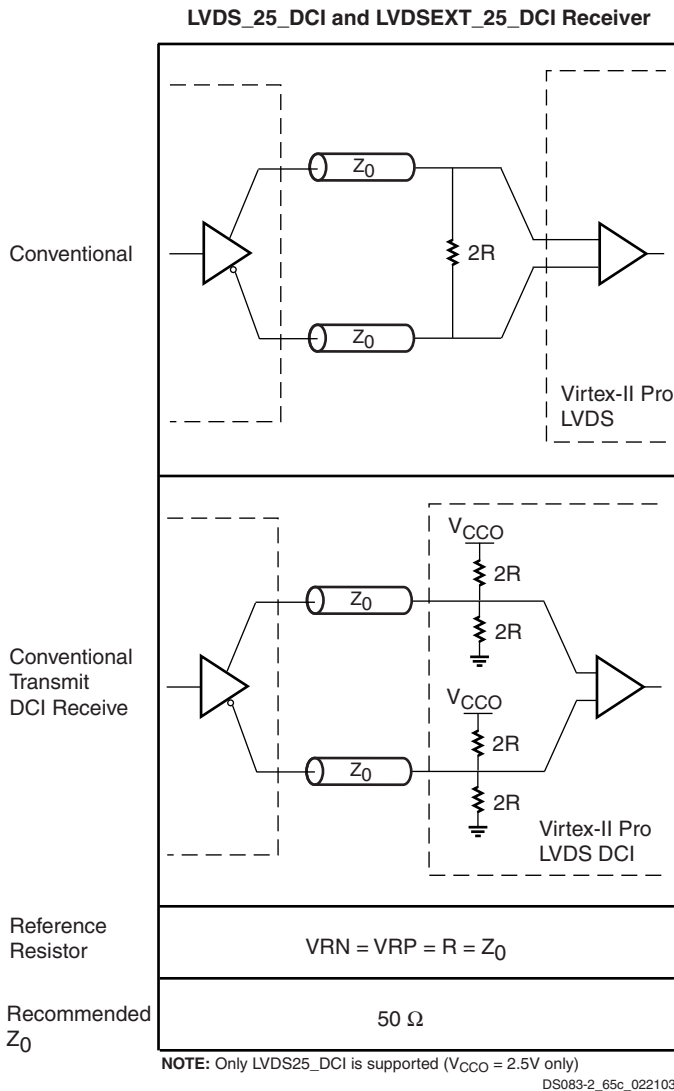


Figure 18: LVDS DCI Usage Examples

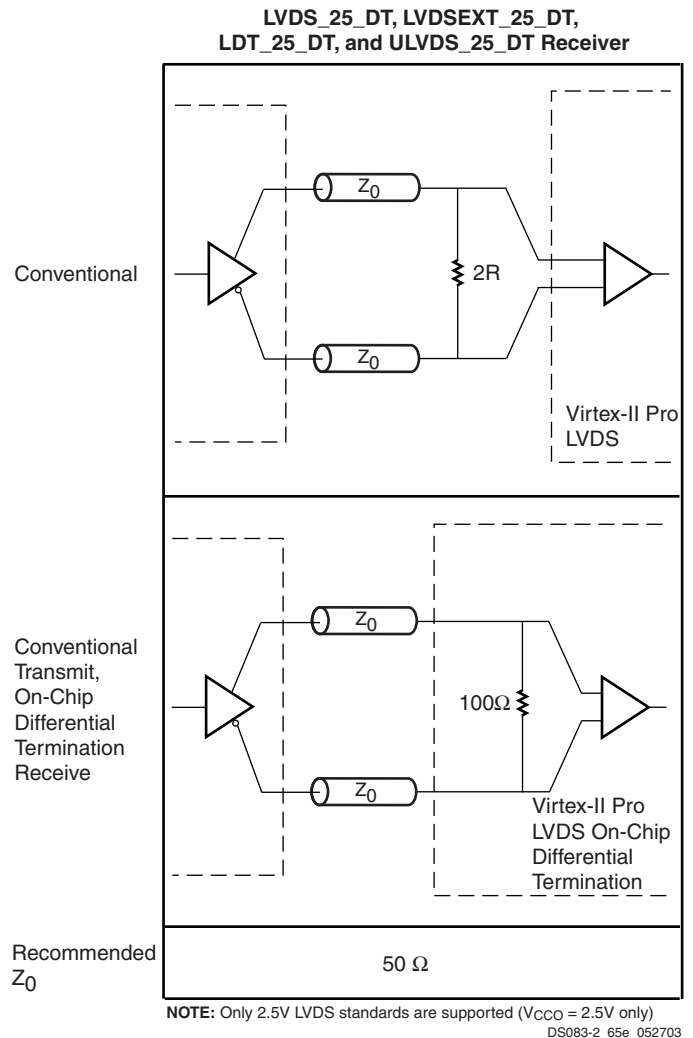


Figure 19: LVDS Differential Termination Usage Examples

**On-Chip Differential Termination**

Virtex-II Pro provides a true 100Ω differential termination (DT) across the input differential receiver terminals. The LVDS\_25\_DT, LVDSEXT\_25\_DT, LDT\_25\_DT, and ULVDS\_25\_DT standards support on-chip differential termination:

- The on-chip input differential termination in Virtex-II Pro provides major advantages over the external resistor or the DCI termination solution:
- Eliminates the stub at the receiver completely and therefore greatly improve signal integrity
- Consumes less power than DCI termination
- Supports LDT (not supported by DCI termination)
- Frees up VRP/VRN pins

## Configurable Logic Blocks (CLBs)

The Virtex-II Pro configurable logic blocks (CLB) are organized in an array and are used to build combinatorial and synchronous logic designs. Each CLB element is tied to a switch matrix to access the general routing matrix, as shown in Figure 20. A CLB element comprises 4 similar slices, with fast local feedback within the CLB. The four slices are split in two columns of two slices with two independent carry logic chains and one common shift chain.

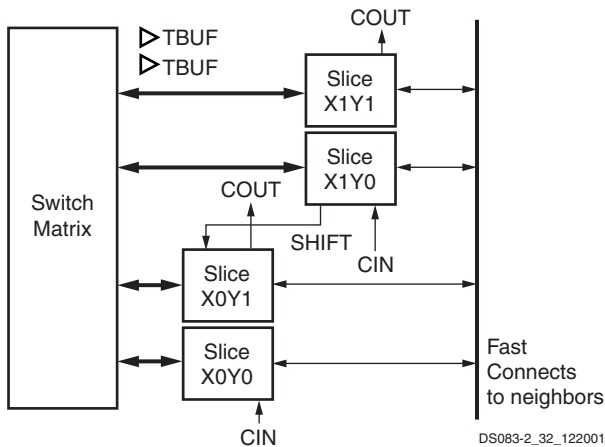


Figure 20: Virtex-II Pro CLB Element

### Slice Description

Each slice includes two 4-input function generators, carry logic, arithmetic logic gates, wide function multiplexers and two storage elements. As shown in Figure 21, each 4-input function generator is programmable as a 4-input LUT, 16 bits of distributed SelectRAM+ memory, or a 16-bit variable-tap shift register element.

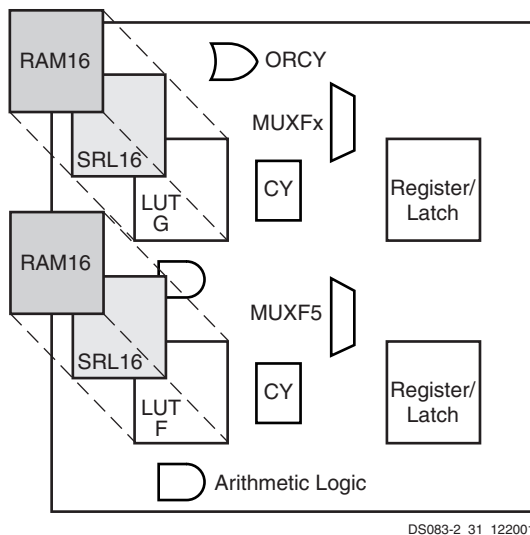


Figure 21: Virtex-II Pro Slice Configuration

The output from the function generator in each slice drives both the slice output and the D input of the storage element. Figure 22, page 21 shows a more detailed view of a single slice.

## Configurations

### Look-Up Table

Virtex-II Pro function generators are implemented as 4-input look-up tables (LUTs). Four independent inputs are provided to each of the two function generators in a slice (F and G). These function generators are each capable of implementing any arbitrarily defined boolean function of four inputs. The propagation delay is therefore independent of the function implemented. Signals from the function generators can exit the slice (X or Y output), can input the XOR dedicated gate (see arithmetic logic), or input the carry-logic multiplexer (see fast look-ahead carry logic), or feed the D input of the storage element, or go to the MUXF5 (not shown in Figure 22).

In addition to the basic LUTs, the Virtex-II Pro slice contains logic (MUXF5 and MUXFX multiplexers) that combines function generators to provide any function of five, six, seven, or eight inputs. The MUXFX is either MUXF6, MUXF7, or MUXF8 according to the slice considered in the CLB. Selected functions up to nine inputs (MUXF5 multiplexer) can be implemented in one slice. The MUXFX can also be a MUXF6, MUXF7, or MUXF8 multiplexer to map any function of six, seven, or eight inputs and selected wide logic functions.

### Register/Latch

The storage elements in a Virtex-II Pro slice can be configured either as edge-triggered D-type flip-flops or as level-sensitive latches. The D input can be directly driven by the X or Y output via the DX or DY input, or by the slice inputs bypassing the function generators via the BX or BY input. The clock enable signal (CE) is active High by default. If left unconnected, the clock enable for that storage element defaults to the active state.

In addition to clock (CK) and clock enable (CE) signals, each slice has set and reset signals (SR and BY slice inputs). SR forces the storage element into the state specified by the attribute SRHIGH or SRLOW. SRHIGH forces a logic 1 when SR is asserted. SRLOW forces a logic 0. When SR is used, an optional second input (BY) forces the storage element into the opposite state via the REV pin. The reset condition is predominant over the set condition. (See Figure 23, page 22.)

The initial state after configuration or global initial state is defined by a separate INIT0 and INIT1 attribute. By default, setting the SRLOW attribute sets INIT0, and setting the SRHIGH attribute sets INIT1. For each slice, set and reset can be set to be synchronous or asynchronous.

Virtex-II Pro devices also have the ability to set INIT0 and INIT1 independent of SRHIGH and SRL0W.

The control signals clock (CLK), clock enable (CE) and set/reset (SR) are common to both storage elements in one slice. All of the control signals have independent polarity. Any inverter placed on a control input is automatically absorbed.

The set and reset functionality of a register or a latch can be configured as follows:

- No set or reset

- Synchronous set
- Synchronous reset
- Synchronous set and reset
- Asynchronous set (preset)
- Asynchronous reset (clear)
- Asynchronous set and reset (preset and clear)

The synchronous reset has precedence over a set, and an asynchronous clear has precedence over a preset.

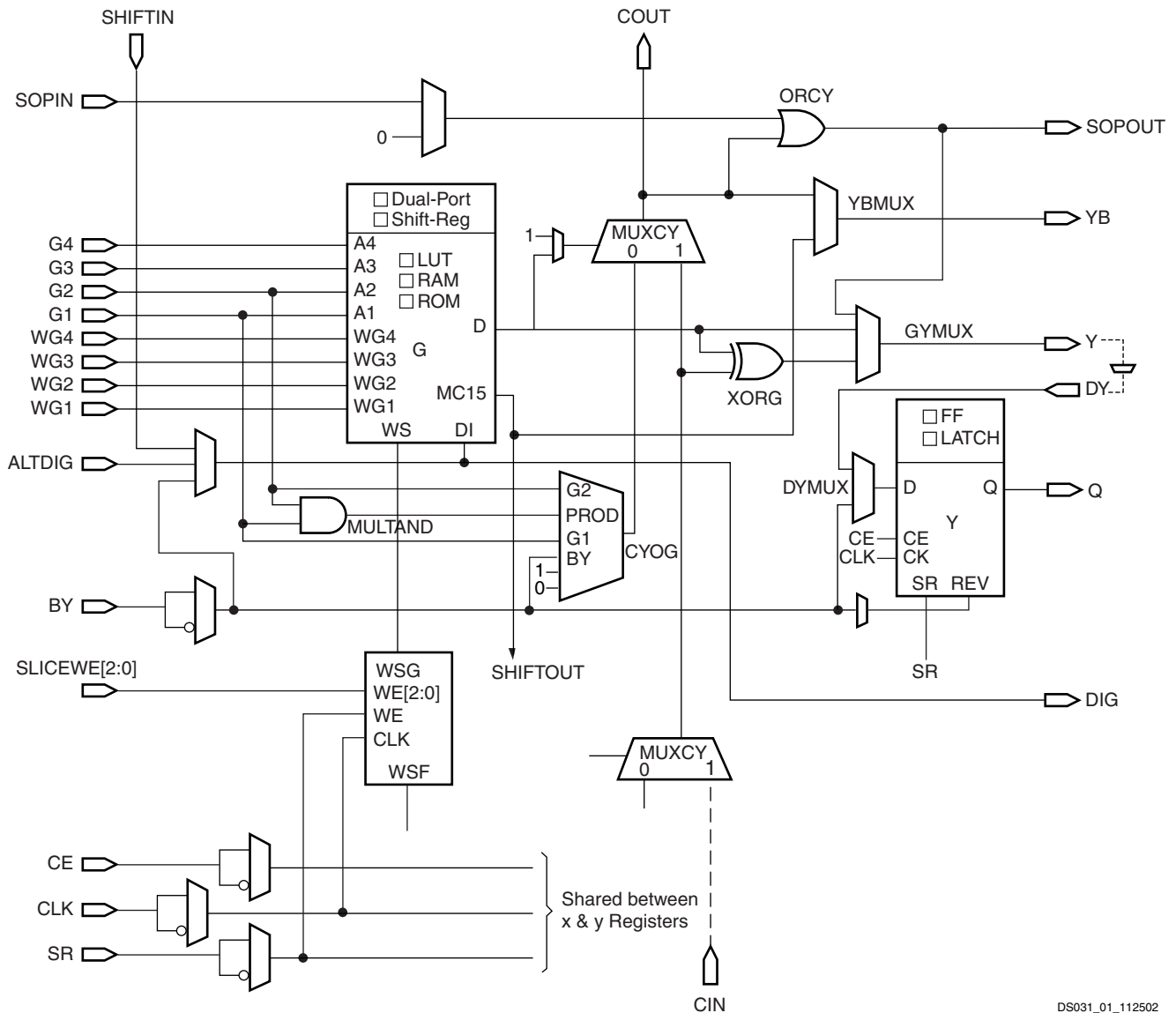


Figure 22: Virtex-II Pro Slice (Top Half)

DS031\_01\_112502

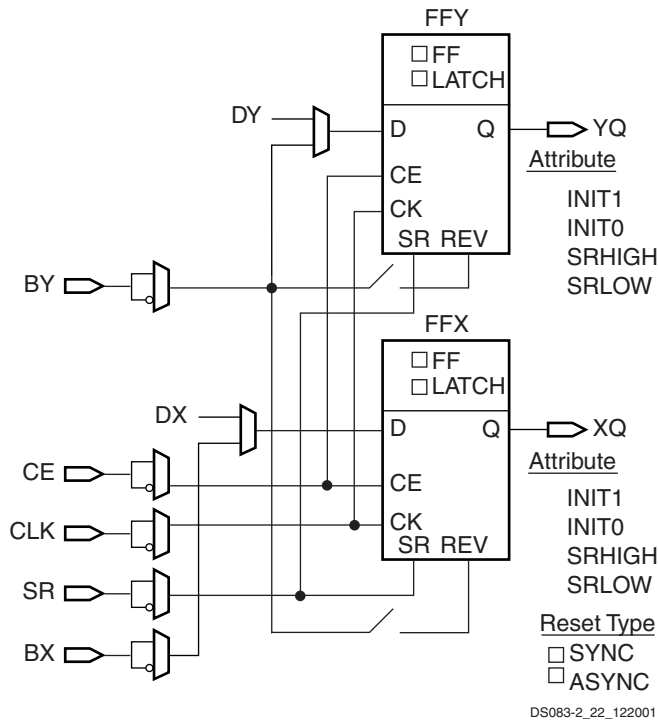


Figure 23: Register / Latch Configuration in a Slice

**Distributed SelectRAM+ Memory**

Each function generator (LUT) can implement a 16 x 1-bit synchronous RAM resource called a distributed SelectRAM+ element. SelectRAM+ elements are configurable within a CLB to implement the following:

- Single-Port 16 x 8-bit RAM
- Single-Port 32 x 4-bit RAM
- Single-Port 64 x 2-bit RAM
- Single-Port 128 x 1-bit RAM
- Dual-Port 16 x 4-bit RAM
- Dual-Port 32 x 2-bit RAM
- Dual-Port 64 x 1-bit RAM

Distributed SelectRAM+ memory modules are synchronous (write) resources. The combinatorial read access time is extremely fast, while the synchronous write simplifies high-speed designs. A synchronous read can be implemented with a storage element in the same slice. The distributed SelectRAM+ memory and the storage element share the same clock input. A Write Enable (WE) input is active High, and is driven by the SR input.

Table 9 shows the number of LUTs (2 per slice) occupied by each distributed SelectRAM+ configuration.

Table 9: Distributed SelectRAM+ Configurations

RAM	Number of LUTs
16 x 1S	1
16 x 1D	2
32 x 1S	2
32 x 1D	4
64 x 1S	4
64 x 1D	8
128 x 1S	8

**Notes:**

1. S = single-port configuration; D = dual-port configuration

For single-port configurations, distributed SelectRAM+ memory has one address port for synchronous writes and asynchronous reads.

For dual-port configurations, distributed SelectRAM+ memory has one port for synchronous writes and asynchronous reads and another port for asynchronous reads. The function generator (LUT) has separated read address inputs (A1, A2, A3, A4) and write address inputs (WG1/WF1, WG2/WF2, WG3/WF3, WG4/WF4).

In single-port mode, read and write addresses share the same address bus. In dual-port mode, one function generator (R/W port) is connected with shared read and write addresses. The second function generator has the A inputs (read) connected to the second read-only port address and the W inputs (write) shared with the first read/write port address.

Figure 24, Figure 25, page 23, and Figure 26, page 23 illustrate various example configurations.

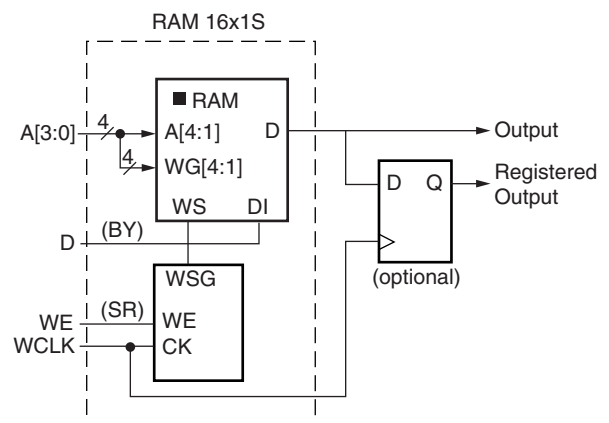


Figure 24: Distributed SelectRAM+ (RAM16x1S)



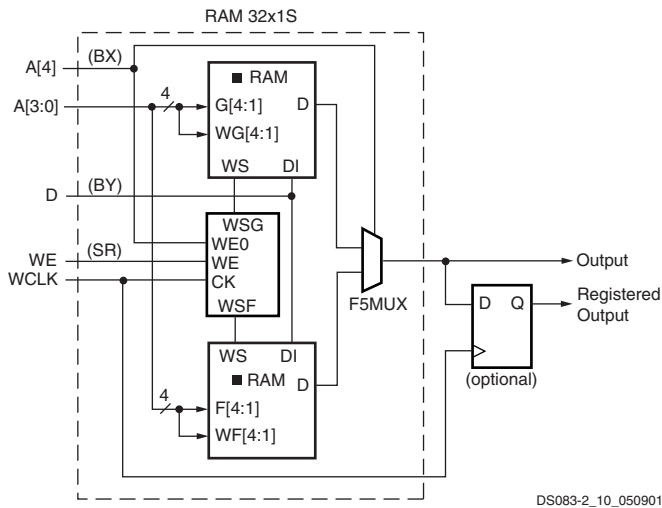


Figure 25: Single-Port Distributed SelectRAM+ (RAM32x1S)

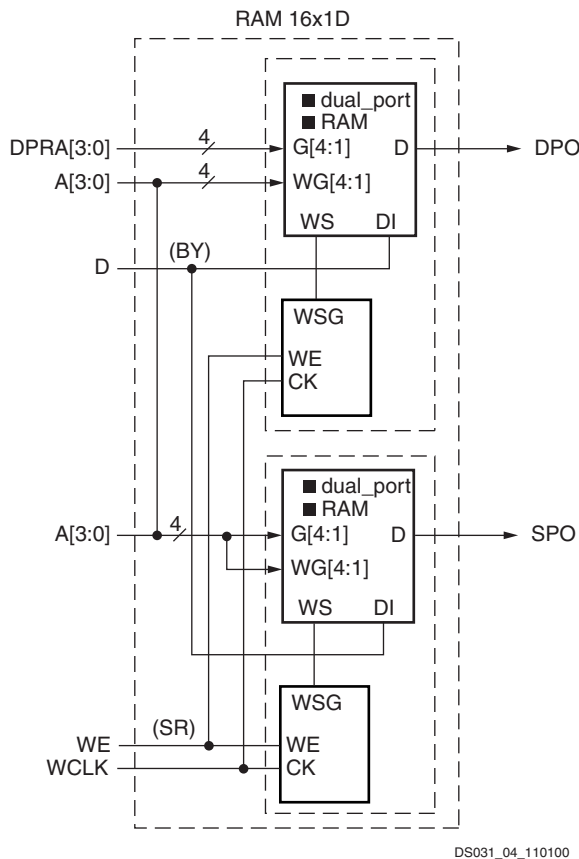


Figure 26: Dual-Port Distributed SelectRAM+ (RAM16x1D)

Similar to the RAM configuration, each function generator (LUT) can implement a 16 x 1-bit ROM. Five configurations are available: ROM16x1, ROM32x1, ROM64x1, ROM128x1, and ROM256x1. The ROM elements are cascadable to implement wider or/and deeper ROM. ROM

contents are loaded at configuration. Table 10 shows the number of LUTs occupied by each configuration.

Table 10: ROM Configuration

ROM	Number of LUTs
16 x 1	1
32 x 1	2
64 x 1	4
128 x 1	8 (1 CLB)
256 x 1	16 (2 CLBs)

### Shift Registers

Each function generator can also be configured as a 16-bit shift register. The write operation is synchronous with a clock input (CLK) and an optional clock enable, as shown in Figure 27. A dynamic read access is performed through the 4-bit address bus, A[3:0]. The configurable 16-bit shift register cannot be set or reset. The read is asynchronous; however, the storage element or flip-flop is available to implement a synchronous read. Any of the 16 bits can be read out asynchronously by varying the address. The storage element should always be used with a constant address. For example, when building an 8-bit shift register and configuring the addresses to point to the 7th bit, the 8th bit can be the flip-flop. The overall system performance is improved by using the superior clock-to-out of the flip-flops.

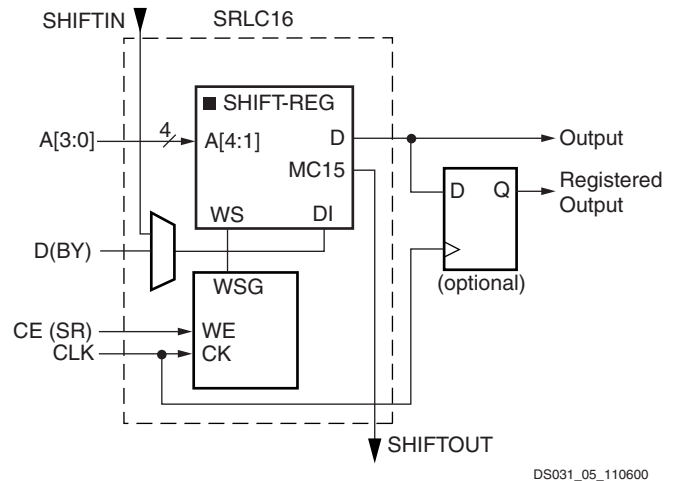


Figure 27: Shift Register Configurations

An additional dedicated connection between shift registers allows connecting the last bit of one shift register to the first bit of the next, without using the ordinary LUT output. (See Figure 28, page 24.) Longer shift registers can be built with dynamic access to any bit in the chain. The shift register chaining and the MUXF5, MUXF6, and MUXF7 multiplexers allow up to a 128-bit shift register with addressable access to be implemented in one CLB.

**Multiplexers**

Virtex-II Pro function generators and associated multiplexers can implement the following:

- 4:1 multiplexer in one slice
- 8:1 multiplexer in two slices
- 16:1 multiplexer in one CLB element (4 slices)
- 32:1 multiplexer in two CLB elements (8 slices)

Each Virtex-II Pro slice has one MUXF5 multiplexer and one MUXFX multiplexer. The MUXFX multiplexer implements the MUXF6, MUXF7, or MUXF8, as shown in Figure 29, page 25. Each CLB element has two MUXF6 multiplexers, one MUXF7 multiplexer and one MUXF8 multiplexer. Examples of multiplexers are shown in the Virtex-II Pro Platform FPGA User Guide. Any LUT can implement a 2:1 multiplexer.

**Fast Lookahead Carry Logic**

Dedicated carry logic provides fast arithmetic addition and subtraction. The Virtex-II Pro CLB has two separate carry chains, as shown in the Figure 30, page 26.

The height of the carry chains is two bits per slice. The carry chain in the Virtex-II Pro device is running upward. The dedicated carry path and carry multiplexer (MUXCY) can also be used to cascade function generators for implementing wide logic functions.

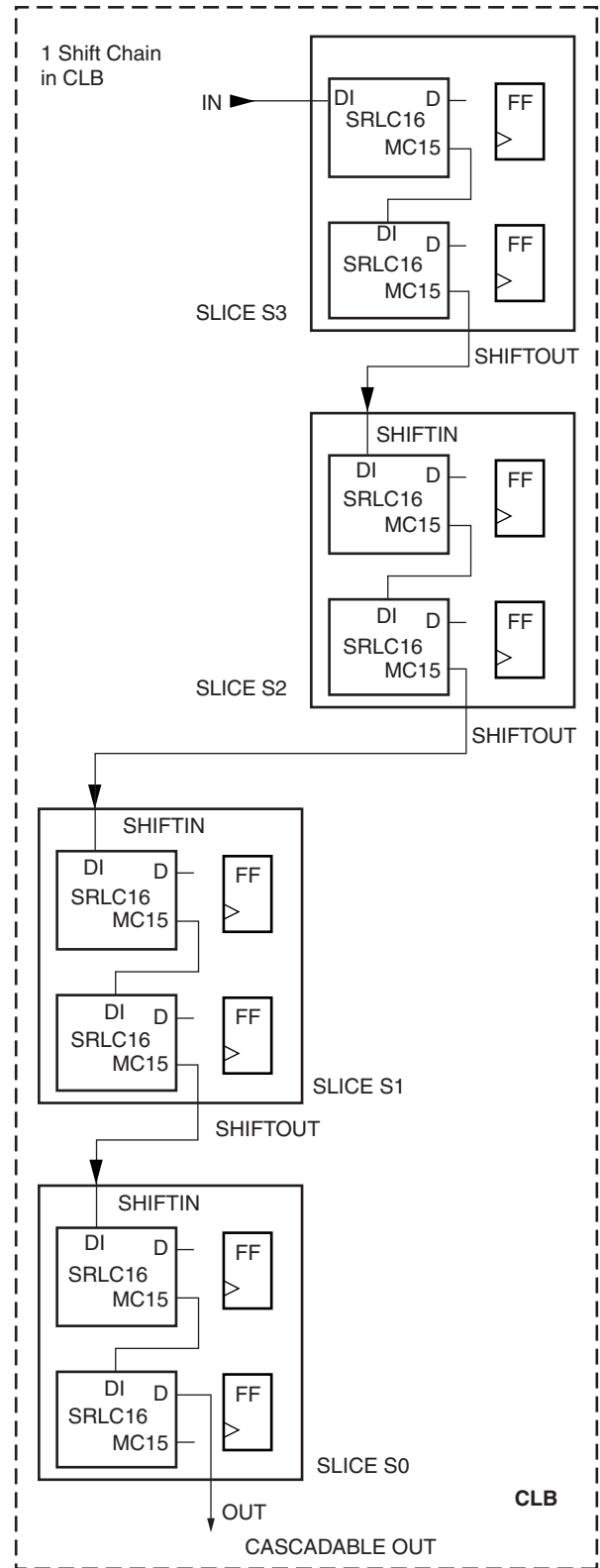
**Arithmetic Logic**

The arithmetic logic includes an XOR gate that allows a 2-bit full adder to be implemented within a slice. In addition, a dedicated AND (MULT\_AND) gate (shown in Figure 22, page 21) improves the efficiency of multiplier implementation.

**Sum of Products**

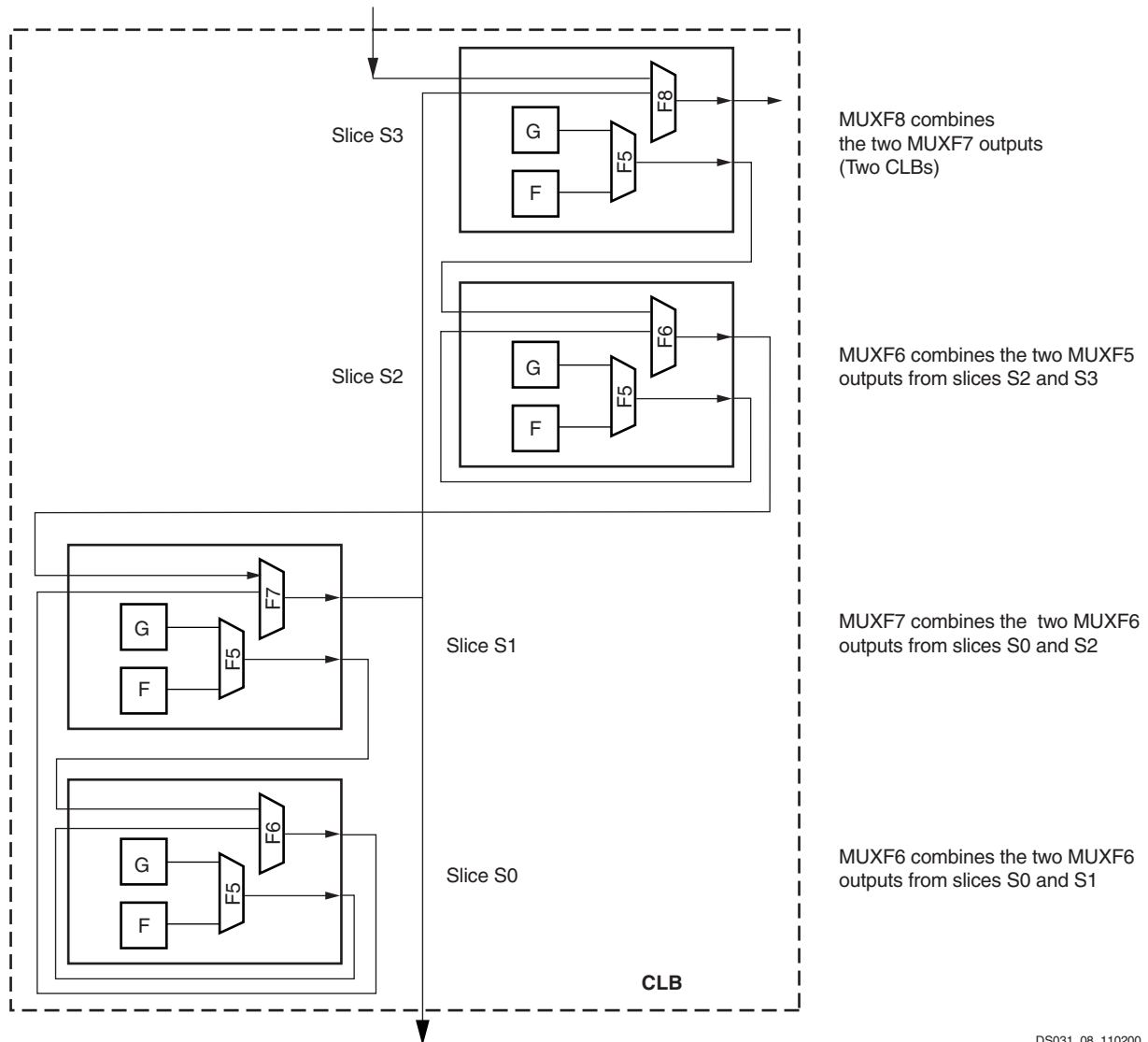
Each Virtex-II Pro slice has a dedicated OR gate named ORCY, ORing together outputs from the slices carryout and the ORCY from an adjacent slice. The ORCY gate with the dedicated Sum of Products (SOP) chain are designed for implementing large, flexible SOP chains. One input of each ORCY is connected through the fast SOP chain to the output of the previous ORCY in the same slice row. The second input is connected to the output of the top MUXCY in the same slice, as shown in Figure 31, page 27.

LUTs and MUXCYs can implement large AND gates or other combinatorial logic functions. Figure 32, page 27 illustrates LUT and MUXCY resources configured as a 16-input AND gate.



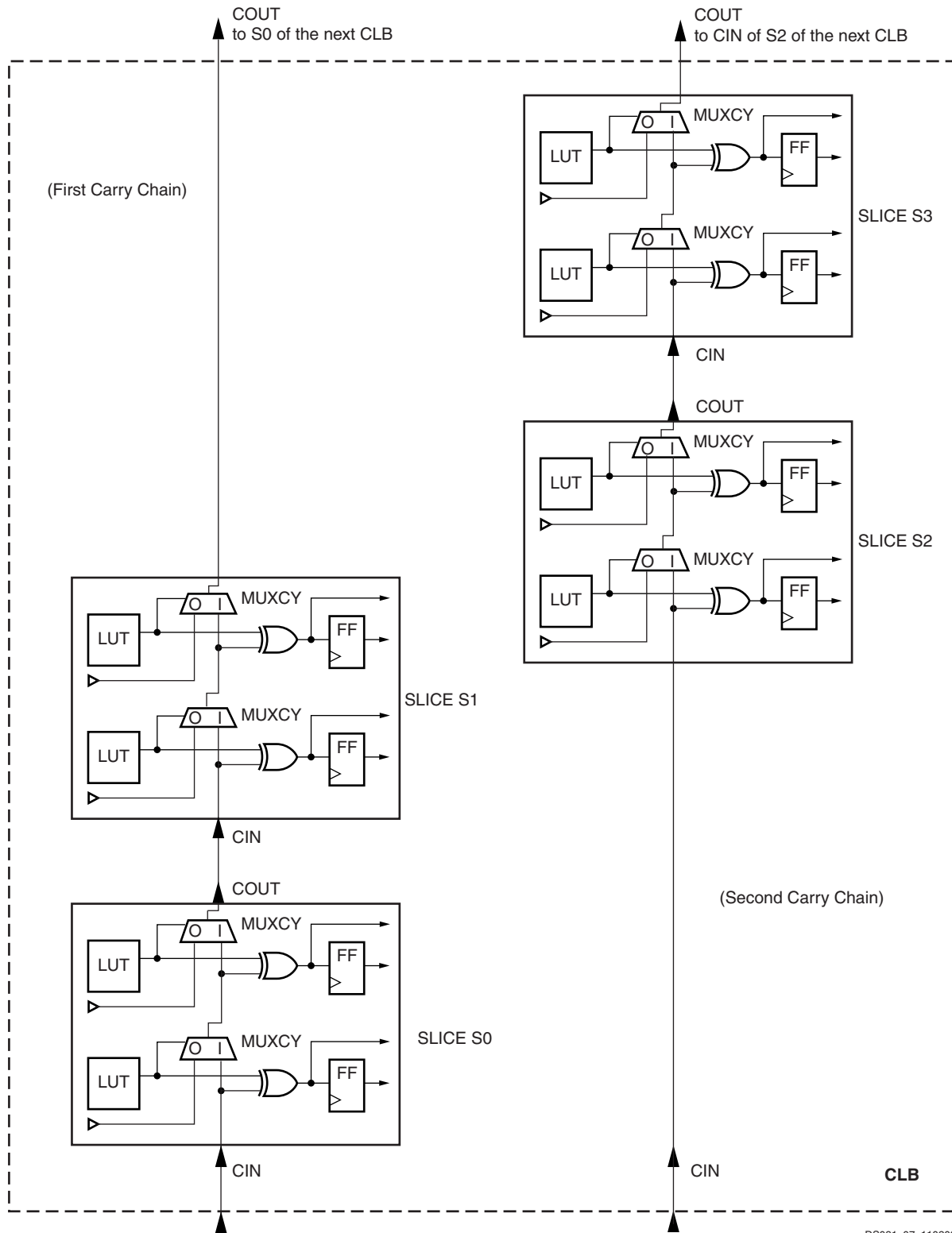
DS031\_06\_110200

Figure 28: Cascadable Shift Register



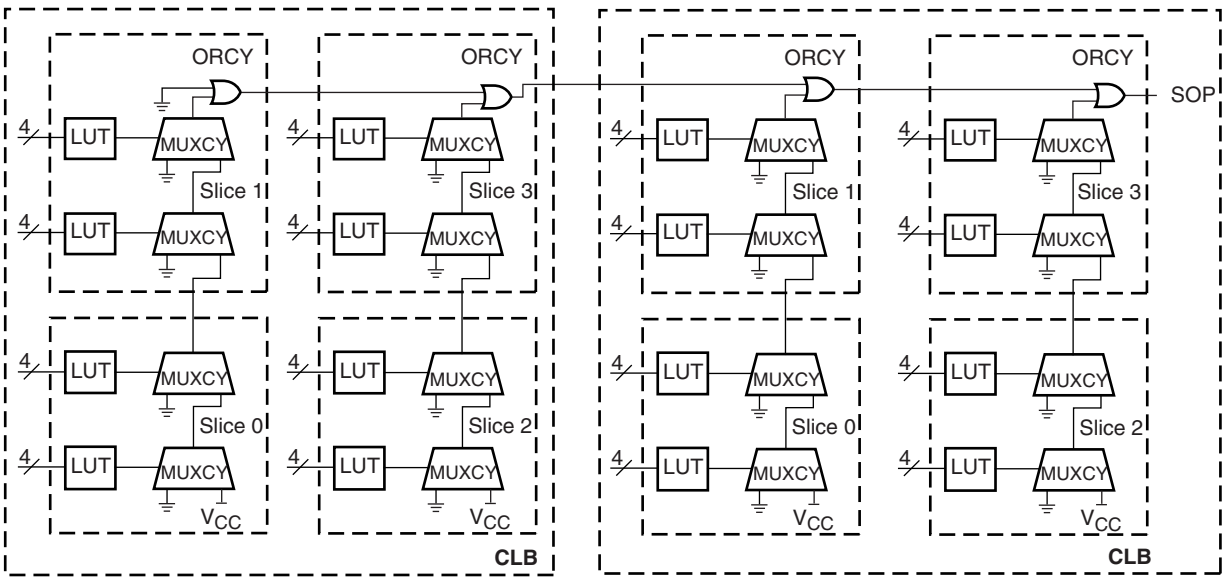
DS031\_08\_110200

Figure 29: MUXF5 and MUXFX multiplexers



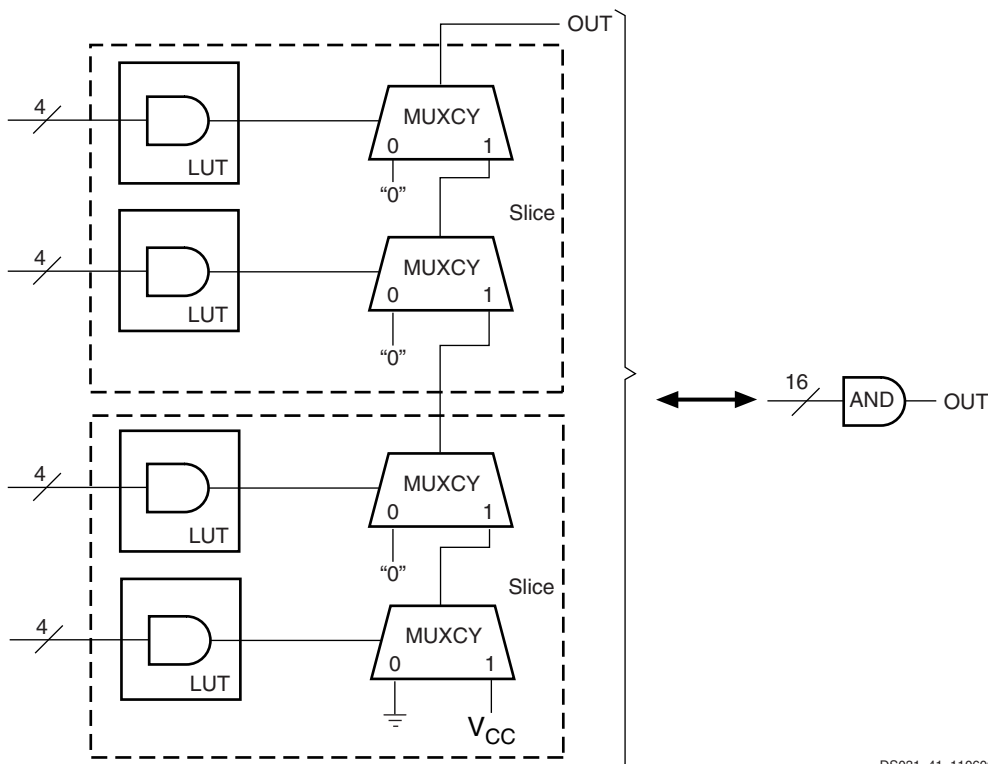
DS031\_07\_110200

Figure 30: Fast Carry Logic Path



ds031\_64\_110300

Figure 31: Horizontal Cascade Chain



DS031\_41\_110600

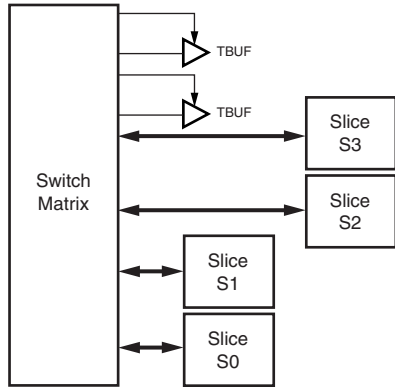
Figure 32: Wide-Input AND Gate (16 Inputs)

### Three-State Buffers

#### Introduction

Each Virtex-II Pro CLB contains two three-state drivers (TBUFs) that can drive on-chip buses. Each three-state buffer has its own three-state control pin and its own input pin.

Each of the four slices have access to the two three-state buffers through the switch matrix, as shown in Figure 33. TBUFs in neighboring CLBs can access slice outputs by direct connects. The outputs of the three-state buffers drive horizontal routing resources used to implement three-state buses.



DS031\_37\_060700

Figure 33: Virtex-II Pro three-state Buffers

The three-state buffer logic is implemented using AND-OR logic rather than three-state drivers, so that timing is more

predictable and less load dependant especially with larger devices.

#### Locations / Organization

Four horizontal routing resources per CLB are provided for on-chip three-state buses. Each three-state buffer has access alternately to two horizontal lines, which can be partitioned as shown in Figure 34. The switch matrices corresponding to SelectRAM+ memory and multiplier or I/O blocks are skipped.

#### Number of Three-State Buffers

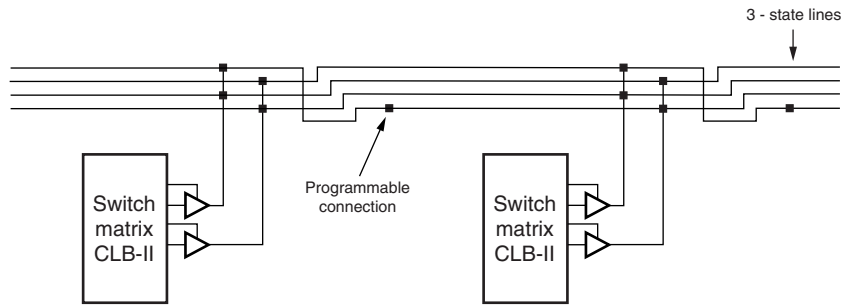
Table 11 shows the number of three-state buffers available in each Virtex-II Pro device. The number of three-state buffers is twice the number of CLB elements.

Table 11: Virtex-II Pro Three-State Buffers

Device	Three-state Buffers per Row	Total Number of Three-state Buffers
XQ2VP40	116	9,696
XQ2VP70	164	16,544

#### CLB/Slice Configurations

Table 12 summarizes the logic resources in one CLB. All of the CLBs are identical and each CLB or slice can be implemented in one of the configurations listed. Table 13 shows the available resources in all CLBs.



DS031\_09\_032700

Figure 34: Three-state Buffer Connection to Horizontal Lines

Table 12: Logic Resources in One CLB

Slices	LUTs	Flip-Flops	MULT_ANDs	Arithmetic & Carry-Chains	SOP Chains	Distributed SelectRAM+	Shift Registers	TBUF
4	8	8	8	2	2	128 bits	128 bits	2

Table 13: Virtex-II Pro Logic Resources Available in All CLBs

Device	CLB Array: Row x Col.	Number of Slices	Number of LUTs	Max Distributed SelectRAM or Shift Register (bits)	Number of Flip-Flops	Number of Carry-Chains <sup>(1)</sup>	Number of SOP Chains <sup>(1)</sup>
XQ2VP40	88 x 58	19,392	38,784	620,544	38,784	116	176
XQ2VP70	104 x 82	33,088	66,176	1,058,816	66,176	164	208

#### Notes:

- The carry-chains and SOP chains can be split or cascaded.

## 18 Kb Block SelectRAM+ Resources

### Introduction

Virtex-II Pro devices incorporate large amounts of 18 Kb block SelectRAM+ resources. These complement the distributed SelectRAM+ resources that provide shallow RAM structures implemented in CLBs. Each Virtex-II Pro block SelectRAM+ resource is an 18 Kb true dual-port RAM with two independently clocked and independently controlled synchronous ports that access a common storage area. Both ports are functionally identical. CLK, EN, WE, and SSR polarities are defined through configuration.

Each port has the following types of inputs: Clock and Clock Enable, Write Enable, Set/Reset, and Address, as well as separate Data/parity data inputs (for write) and Data/parity data outputs (for read).

Operation is synchronous; the block SelectRAM+ behaves like a register. Control, address and data inputs must (and need only) be valid during the set-up time window prior to a rising (or falling, a configuration option) clock edge. Data outputs change as a result of the same clock edge.

### Configuration

Virtex-II Pro block SelectRAM+ supports various configurations, including single- and dual-port RAM and various data/address aspect ratios. Supported memory configurations for single- and dual-port modes are shown in Table 14.

Table 14: Dual- and Single-Port Configurations

16K x 1 bit	2K x 9 bits
8K x 2 bits	1K x 18 bits
4K x 4 bits	512 x 36 bits

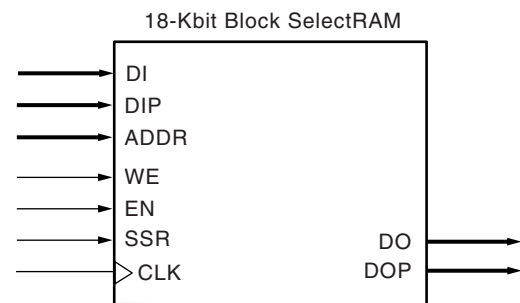
Table 15: Dual-Port Mode Configurations

Port A	16K x 1	16K x 1	16K x 1	16K x 1	16K x 1	16K x 1
Port B	16K x 1	8K x 2	4K x 4	2K x 9	1K x 18	512 x 36
Port A	8K x 2	8K x 2	8K x 2	8K x 2	8K x 2	
Port B	8K x 2	4K x 4	2K x 9	1K x 18	512 x 36	
Port A	4K x 4	4K x 4	4K x 4	4K x 4		
Port B	4K x 4	2K x 9	1K x 18	512 x 36		
Port A	2K x 9	2K x 9	2K x 9			
Port B	2K x 9	1K x 18	512 x 36			
Port A	1K x 18	1K x 18				
Port B	1K x 18	512 x 36				
Port A	512 x 36					
Port B	512 x 36					

### Single-Port Configuration

As a single-port RAM, the block SelectRAM+ has access to the 18 Kb memory locations in any of the 2K x 9-bit, 1K x 18-bit, or 512 x 36-bit configurations and to 16 Kb memory locations in any of the 16K x 1-bit, 8K x 2-bit, or 4K x 4-bit configurations. The advantage of the 9-bit, 18-bit and 36-bit widths is the ability to store a parity bit for each eight bits. Parity bits must be generated or checked externally in user logic. In such cases, the width is viewed as 8 + 1, 16 + 2, or 32 + 4. These extra parity bits are stored and behave exactly as the other bits, including the timing parameters. Video applications can use the 9-bit ratio of Virtex-II Pro block SelectRAM+ memory to advantage.

Each block SelectRAM+ cell is a fully synchronous memory as illustrated in Figure 35. Input data bus and output data bus widths are identical.



DS031\_10\_102000

Figure 35: 18 Kb Block SelectRAM+ Memory in Single-Port Mode

### Dual-Port Configuration

As a dual-port RAM, each port of block SelectRAM+ has access to a common 18 Kb memory resource. These are fully synchronous ports with independent control signals for each port. The data widths of the two ports can be configured independently, providing built-in bus-width conversion.

Table 15 illustrates the different configurations available on ports A and B.

If both ports are configured in either 2K x 9-bit, 1K x 18-bit, or 512 x 36-bit configurations, the 18 Kb block is accessible from port A or B. If both ports are configured in either 16K x 1-bit, 8K x 2-bit, or 4K x 4-bit configurations, the 16 K-bit block is accessible from Port A or Port B. All other configurations result in one port having access to an 18 Kb memory block and the other port having access to a 16 K-bit subset of the memory block equal to 16 Kbs. Each block SelectRAM+ cell is a fully synchronous memory, as illustrated in Figure 36. The two ports have independent inputs and outputs and are independently clocked.

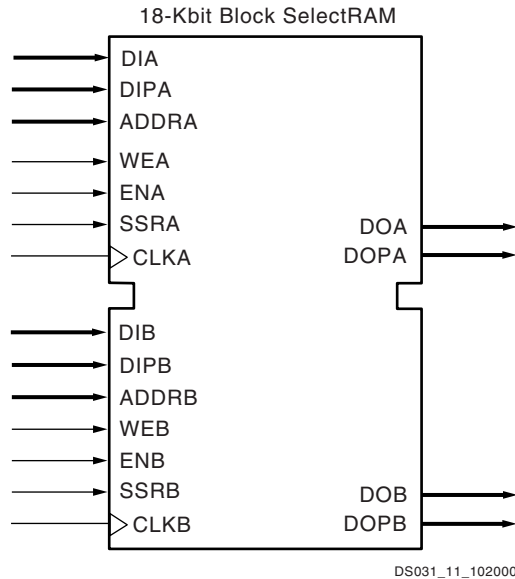


Figure 36: 18 Kb Block SelectRAM+ in Dual-Port Mode

Port Aspect Ratios

Table 16 shows the depth and the width aspect ratios for the 18 Kb block SelectRAM+ resource. Virtex-II Pro block SelectRAM+ also includes dedicated routing resources to provide an efficient interface with CLBs, block SelectRAM+, and multipliers.

Table 16: 18 Kb Block SelectRAM+ Port Aspect Ratio

Width	Depth	Address Bus	Data Bus	Parity Bus
1	16,384	ADDR[13:0]	DATA[0]	–
2	8,192	ADDR[12:0]	DATA[1:0]	–
4	4,096	ADDR[11:0]	DATA[3:0]	–
9	2,048	ADDR[10:0]	DATA[7:0]	Parity[0]
18	1,024	ADDR[9:0]	DATA[15:0]	Parity[1:0]
36	512	ADDR[8:0]	DATA[31:0]	Parity[3:0]

Read/Write Operations

The Virtex-II Pro block SelectRAM+ read operation is fully synchronous. An address is presented, and the read operation is enabled by control signal ENA or ENB. Then, depending on clock polarity, a rising or falling clock edge causes the stored data to be loaded into output registers.

The write operation is also fully synchronous. Data and address are presented, and the write operation is enabled by control signals WEA and WEB in addition to ENA or ENB. Then, again depending on the clock input mode, a rising or falling clock edge causes the data to be loaded into the memory cell addressed.

A write operation performs a simultaneous read operation. Three different options are available, selected by configuration:

WRITE\_FIRST

The WRITE\_FIRST option is a transparent mode. The same clock edge that writes the data input (DI) into the memory also transfers DI into the output registers DO, as shown in Figure 37.

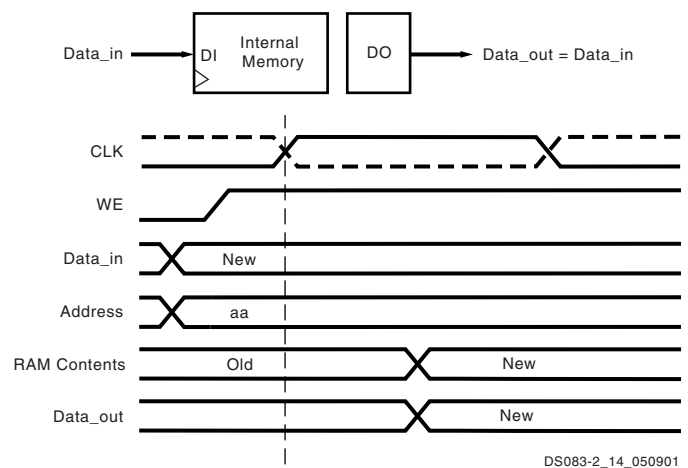


Figure 37: WRITE\_FIRST Mode

READ\_FIRST

The READ\_FIRST option is a read-before-write mode. The same clock edge that writes data input (DI) into the memory also transfers the prior content of the memory cell addressed into the data output registers DO, as shown in Figure 38.

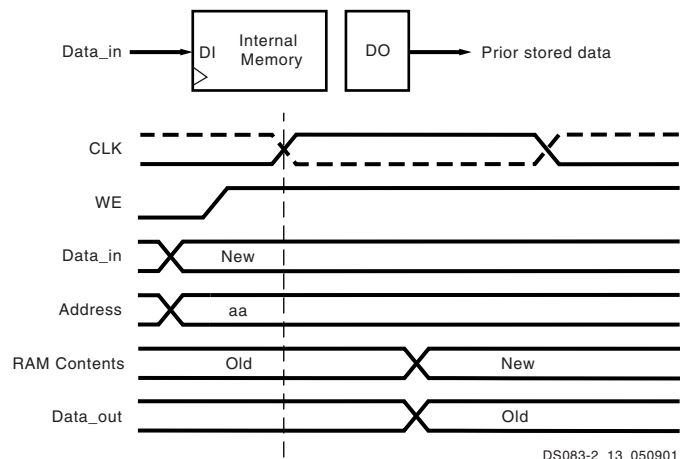


Figure 38: READ\_FIRST Mode



**• NO\_CHANGE**

The NO\_CHANGE option maintains the content of the output registers, regardless of the write operation. The clock edge during the write mode has no effect on the content of the data output register DO. When the port is configured as NO\_CHANGE, only a read operation loads a new value in the output register DO, as shown in Figure 39.

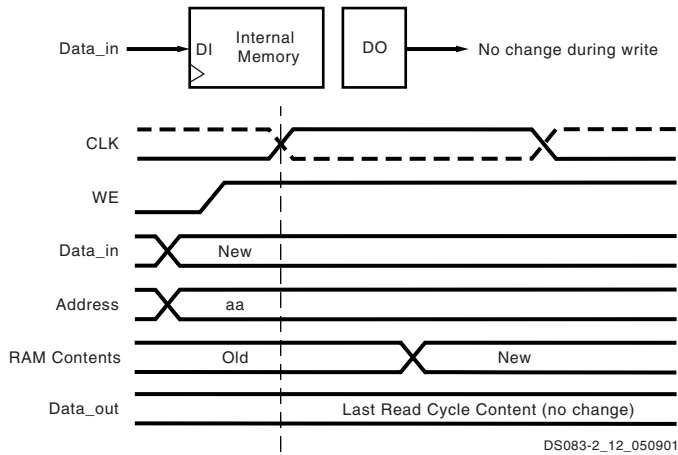


Figure 39: NO\_CHANGE Mode

**Control Pins and Attributes**

Virtex-II Pro SelectRAM+ memory has two independent ports with the control signals described in Table 17. All control inputs including the clock have an optional inversion.

Table 17: Control Functions

Control Signal	Function
CLK	Read and Write Clock
EN	Enable affects Read, Write, Set, Reset
WE	Write Enable
SSR	Set DO register to SRVAL (attribute)

Initial memory content is determined by the INIT\_xx attributes. Separate attributes determine the output register value after device configuration (INIT) and SSR is asserted (SRVAL). Both attributes (INIT\_B and SRVAL) are available for each port when a block SelectRAM+ resource is configured as dual-port RAM.

**Total Amount of SelectRAM+ Memory**

Virtex-II Pro SelectRAM+ memory blocks are organized in multiple columns. The number of blocks per column depends on the row size, the number of Processor Blocks, and the number of RocketIO transceivers.

Table 18 shows the number of columns as well as the total amount of block SelectRAM+ memory available for each Virtex-II Pro device. The 18 Kb SelectRAM+ blocks are

cascadable to implement deeper or wider single- or dual-port memory resources.

Table 18: Virtex-II Pro SelectRAM+ Memory Available

Device	Columns	Total SelectRAM+ Memory		
		Blocks	in Kb	in Bits
XQ2VP40	10	192	3,456	3,538,944
XQ2VP70	14	328	5,904	6,045,696

Figure 40 shows the layout of the block RAM columns in the XQ2VP4 device.

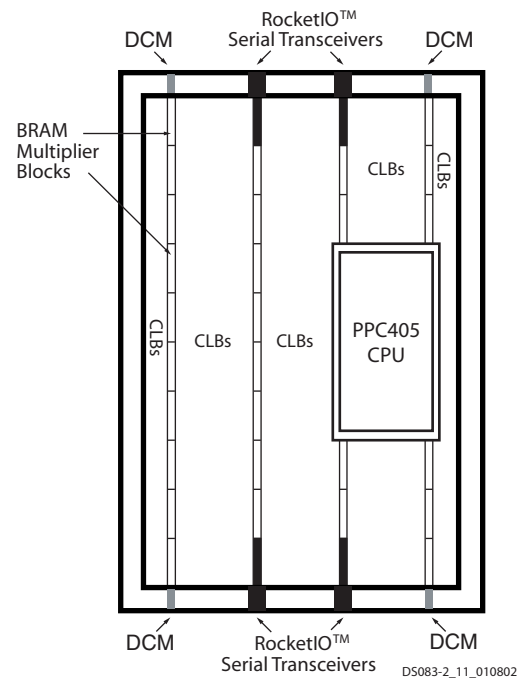


Figure 40: XQ2VP4 Block RAM Column Layout

## 18-Bit x 18-Bit Multipliers

### Introduction

A Virtex-II Pro multiplier block is an 18-bit by 18-bit 2's complement signed multiplier. Virtex-II Pro devices incorporate many embedded multiplier blocks. These multipliers can be associated with an 18 Kb block SelectRAM+ resource or can be used independently. They are optimized for high-speed operations and have a lower power consumption compared to an 18-bit x 18-bit multiplier in slices.

Each SelectRAM+ memory and multiplier block is tied to four switch matrices, as shown in Figure 41.

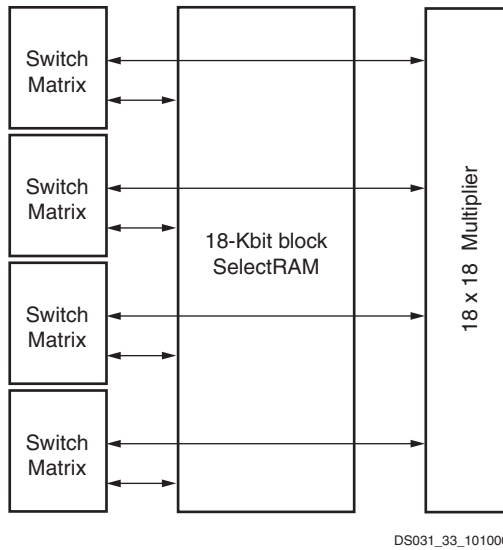


Figure 41: SelectRAM+ and Multiplier Blocks

### Association With Block SelectRAM+ Memory

The interconnect is designed to allow SelectRAM+ memory and multiplier blocks to be used at the same time, but some interconnect is shared between the SelectRAM+ and the multiplier. Thus, SelectRAM+ memory can be used only up to 18 bits wide when the multiplier is used, because the multiplier shares inputs with the upper data bits of the SelectRAM+ memory.

This sharing of the interconnect is optimized for an 18-bit-wide block SelectRAM+ resource feeding the multiplier. The use of SelectRAM+ memory and the multiplier with an accumulator in LUTs allows for implementation of a digital signal processor (DSP) multiplier-accumulator (MAC) function, which is commonly used in finite and infinite impulse response (FIR and IIR) digital filters.

### Configuration

The multiplier block is an 18-bit by 18-bit signed multiplier (2's complement). Both A and B are 18-bit-wide inputs, and the output is 36 bits. Figure 42 shows a multiplier block.

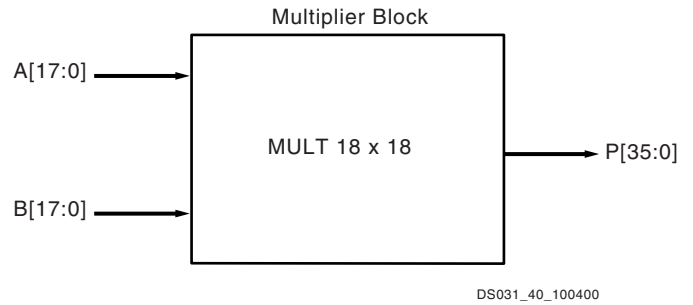


Figure 42: Multiplier Block

### Locations / Organization

Multiplier organization is identical to the 18 Kb SelectRAM+ organization, because each multiplier is associated with an 18 Kb block SelectRAM+ resource.

Table 19: Multiplier Resources

Device	Columns	Total Multipliers
XQ2VP40	10	192
XQ2VP70	14	328

In addition to the built-in multiplier blocks, the CLB elements have dedicated logic to implement efficient multipliers in logic. (Refer to "Configurable Logic Blocks (CLBs)," page 20).

### Global Clock Multiplexer Buffers

Virtex-II Pro devices have 16 clock input pins that can also be used as regular user I/Os. Eight clock pads center on both the top edge and the bottom edge of the device, as illustrated in Figure 43.

The global clock multiplexer buffer represents the input to dedicated low-skew clock tree distribution in Virtex-II Pro devices. Like the clock pads, eight global clock multiplexer buffers are on the top edge of the device and eight are on the bottom edge.

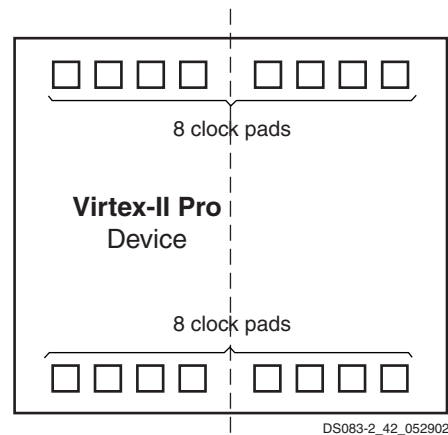


Figure 43: Virtex-II Pro Clock Pads

Each global clock multiplexer buffer can be driven either by the clock pad to distribute a clock directly to the device, or by the Digital Clock Manager (DCM), discussed in "Digital Clock Manager (DCM)," page 35. Each global clock multiplexer buffer can also be driven by local interconnects. The DCM has clock output(s) that can be connected to global clock multiplexer buffer inputs, as shown in Figure 44.

Global clock buffers are used to distribute the clock to some or all synchronous logic elements (such as registers in CLBs and IOBs, and SelectRAM+ blocks).

Eight global clocks can be used in each quadrant of the Virtex-II Pro device. Designers should consider the clock distribution detail of the device prior to pin-locking and floorplanning (see the *Virtex-II Pro Platform FPGA User Guide*).

Figure 45 shows clock distribution in Virtex-II Pro devices.

In each quadrant, up to eight clocks are organized in clock rows. A clock row supports up to 16 CLB rows (eight up and eight down). To reduce power consumption, any unused clock branches remain static.

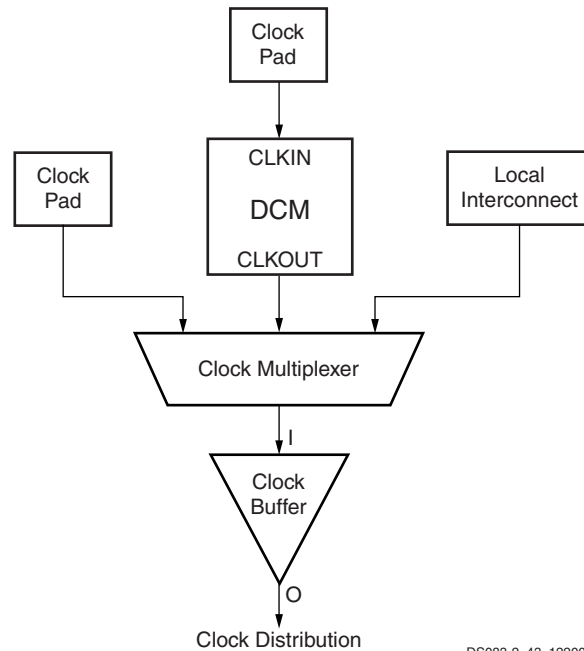


Figure 44: Virtex-II Pro Clock Multiplexer Buffer Configuration

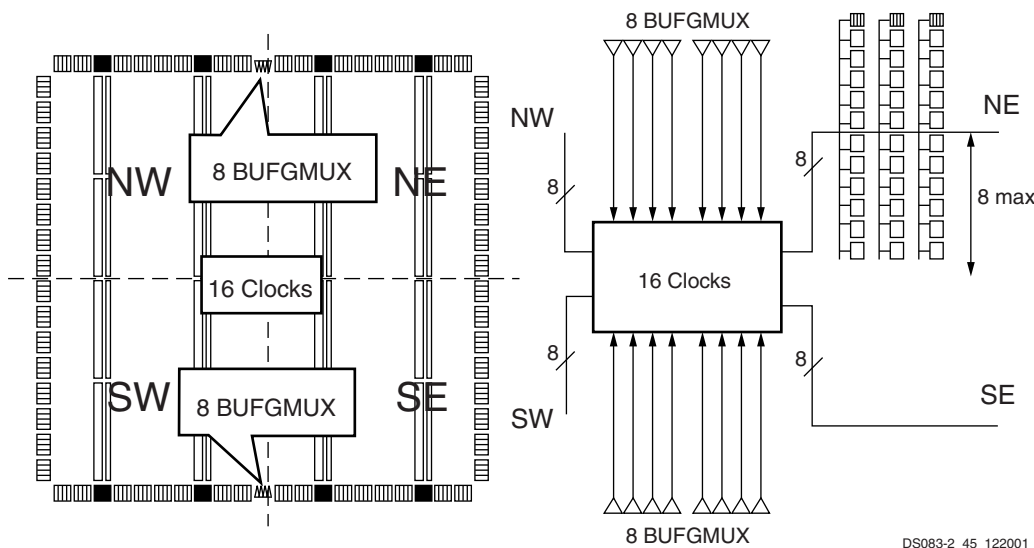


Figure 45: Virtex-II Pro Clock Distribution

Global clocks are driven by dedicated clock buffers (BUFG), which can also be used to gate the clock (BUFGCE) or to multiplex between two independent clock inputs (BUFGMUX).

The most common configuration option of this element is as a buffer. A BUFG function in this (global buffer) mode, is shown in Figure 46.

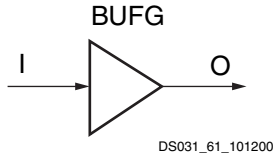


Figure 46: Virtex-II Pro BUFG Function

The Virtex-II Pro global clock buffer BUFG can also be configured as a clock enable/disable circuit (Figure 47), as well as a two-input clock multiplexer (Figure 48). A functional description of these two options is provided below. Each of them can be used in either of two modes, selected by configuration: rising clock edge or falling clock edge.

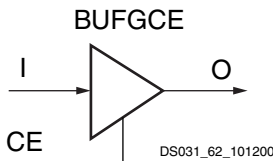


Figure 47: Virtex-II Pro BUFGCE Function

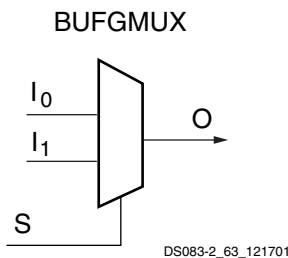


Figure 48: Virtex-II Pro BUFGMUX Function

This section describes the rising clock edge option. For the opposite option, falling clock edge, just change all "rising" references to "falling" and all "High" references to "Low", except for the description of the CE and S levels. The rising clock edge option uses the BUFGCE and BUFGMUX primitives. The falling clock edge option uses the BUFGCE\_1 and BUFGMUX\_1 primitives.

**BUFGCE**

If the CE input is active (High) prior to the incoming rising clock edge, this Low-to-High-to-Low clock pulse passes through the clock buffer. Any level change of CE during the incoming clock High time has no effect.

If the CE input is inactive (Low) prior to the incoming rising clock edge, the following clock pulse does not pass through

the clock buffer, and the output stays Low. Any level change of CE during the incoming clock High time has no effect. CE must not change during a short setup window just prior to the rising clock edge on the BUFGCE input I. Violating this setup time requirement can result in an undefined runt pulse output.

**BUFGMUX**

BUFGMUX can switch between two unrelated, even asynchronous clocks. Basically, a Low on S selects the I<sub>0</sub> input, a High on S selects the I<sub>1</sub> input. Switching from one clock to the other is done in such a way that the output High and Low time is never shorter than the shortest High or Low time of either input clock. As long as the presently selected clock is High, any level change of S has no effect.

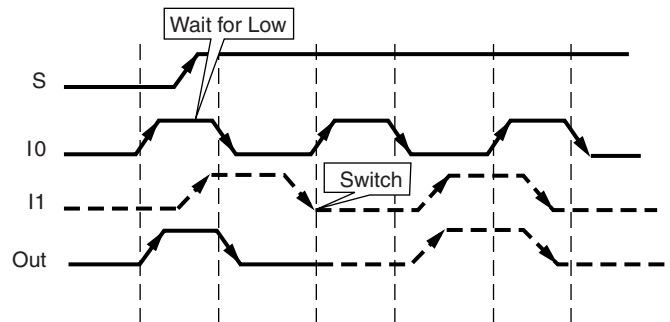
If the presently selected clock is Low while S changes, or if it goes Low after S has changed, the output is kept Low until the other ("to-be-selected") clock has made a transition from High to Low. At that instant, the new clock starts driving the output.

The two clock inputs can be asynchronous with regard to each other, and the S input can change at any time, except for a short setup time prior to the rising edge of the presently selected clock (I<sub>0</sub> or I<sub>1</sub>). Violating this setup time requirement can result in an undefined runt pulse output.

All Virtex-II Pro devices have 16 global clock multiplexer buffers.

Figure 49 shows a switchover from I<sub>0</sub> to I<sub>1</sub>:

- The current clock is CLK0.
- S is activated High.
- If CLK0 is currently High, the multiplexer waits for CLK0 to go Low.
- Once CLK0 is Low, the multiplexer output stays Low until CLK1 transitions High to Low.
- When CLK1 transitions from High to Low, the output switches to CLK1.
- No glitches or short pulses can appear on the output.



DS083-2\_46\_020604

Figure 49: Clock Multiplexer Waveform Diagram

## Local Clocking

In addition to global clocks, there are local clock resources in the Virtex-II Pro devices. There are more than 72 local clocks in the Virtex-II Pro family. These resources can be used for many different applications, including but not limited to memory interfaces. For example, even using only the left and right I/O banks, Virtex-II Pro FPGAs can support up to 50 local clocks for DDR SDRAM. These interfaces can operate beyond 200 MHz on Virtex-II Pro devices.

## Digital Clock Manager (DCM)

The Virtex-II Pro DCM offers a wide range of powerful clock management features.

- **Clock Deskew:** The DCM generates new system clocks (either internally or externally to the FPGA), which are phase-aligned to the input clock, thus eliminating clock distribution delays.
- **Frequency Synthesis:** The DCM generates a wide range of output clock frequencies, performing very flexible clock multiplication and division.
- **Phase Shifting:** The DCM provides both coarse phase shifting and fine-grained phase shifting with dynamic phase shift control.

The DCM utilizes fully digital delay lines allowing robust high-precision control of clock phase and frequency. It also utilizes fully digital feedback systems, operating dynamically to compensate for temperature and voltage variations during operation.

Up to four of the nine DCM clock outputs can drive inputs to global clock buffers or global clock multiplexer buffers simultaneously (see Figure 50). All DCM clock outputs can simultaneously drive general routing resources, including routes to output buffers.

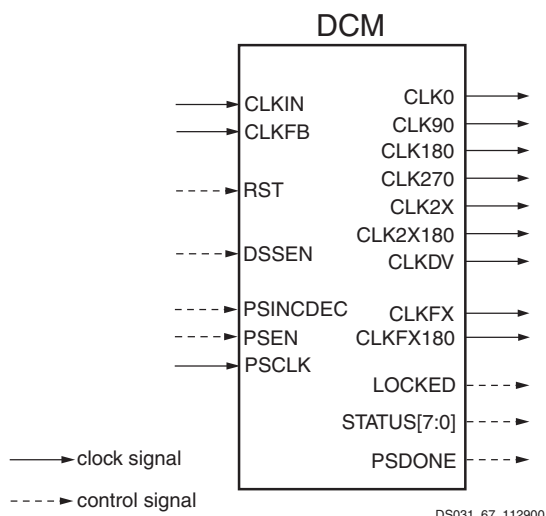


Figure 50: Digital Clock Manager

The DCM can be configured to delay the completion of the Virtex-II Pro configuration process until after the DCM has achieved lock. This guarantees that the chip does not begin operating until after the system clocks generated by the DCM have stabilized.

The DCM has the following general control signals:

- RST input pin: resets the entire DCM
- LOCKED output pin: asserted High when all enabled DCM circuits have locked.
- STATUS output pins (active High): shown in Table 20.

Table 20: DCM Status Pins

Status Pin	Function
0	Phase Shift Overflow
1	CLKIN Stopped
2	CLKFX Stopped
3	N/A
4	N/A
5	N/A
6	N/A
7	N/A

### Clock Deskew

The DCM deskews the output clocks relative to the input clock by automatically adjusting a digital delay line. Additional delay is introduced so that clock edges arrive at internal registers and block RAMs simultaneously with the clock edges arriving at the input clock pad. Alternatively, external clocks, which are also deskewed relative to the input clock, can be generated for board-level routing. All DCM output clocks are phase-aligned to CLK0 and, therefore, are also phase-aligned to the input clock.

To achieve clock deskew, connect the CLKFB input to CLK0. Note that CLKFB must always be connected, unless only the CLKFX or CLKFX180 outputs are used and deskew is not required.

### Frequency Synthesis

The DCM provides flexible methods for generating new clock frequencies. Each method has a different operating frequency range and different AC characteristics. The CLK2X and CLK2X180 outputs double the clock frequency. The CLKDV output creates divided output clocks with division options of 1.5, 2, 2.5, 3, 3.5, 4, 4.5, 5, 5.5, 6, 6.5, 7, 7.5, 8, 9, 10, 11, 12, 13, 14, 15, and 16.

The CLKFX and CLKFX180 outputs can be used to produce clocks at the following frequency:

$$FREQ_{CLKFX} = (M/D) \cdot FREQ_{CLKIN}$$

where *M* and *D* are two integers.

Specifications for *M* and *D* are provided under "DCM Timing Parameters" in "DC and Switching Characteristics" (Module 3). By default, *M* = 4 and *D* = 1, which results in a clock output frequency four times faster than the clock input frequency (CLKIN).

CLK2X180 is phase shifted 180 degrees relative to CLK2X. CLKFX180 is phase shifted 180 degrees relative to CLKFX. All frequency synthesis outputs automatically have 50/50 duty cycles, with the exception of the CLKDV output when performing a non-integer divide in high-frequency mode. See Table 21 for more details.

**Note:** Note CLK2X and CLK2X180 are not available in high-frequency mode.

Table 21: CLKDV Duty Cycle for Non-integer Divides

CLKDV_DIVIDE	Duty Cycle
1.5	1/3
2.5	2/5
3.5	3/7
4.5	4/9
5.5	5/11
6.5	6/13
7.5	7/15

### Phase Shifting

The DCM provides additional control over clock skew through either coarse or fine-grained phase shifting. The CLK0, CLK90, CLK180, and CLK270 outputs are each phase shifted by ¼ of the input clock period relative to each other, providing coarse phase control. Note that CLK90 and CLK270 are not available in high-frequency mode.

Fine-phase adjustment affects all nine DCM output clocks. When activated, the phase shift between the rising edges of

CLKIN and CLKFB is a specified fraction of the input clock period.

In variable mode, the PHASE\_SHIFT value can also be dynamically incremented or decremented as determined by PSINCDEC synchronously to PSCLK, when the PSEN input is active. Figure 51 illustrates the effects of fine-phase shifting. For more information on DCM features, see the *Virtex-II Pro Platform FPGA User Guide*.

Table 22 lists fine-phase shifting control pins, when used in variable mode.

Table 22: Fine Phase Shifting Control Pins

Control Pin	Direction	Function
PSINCDEC	In	Increment or decrement
PSEN	In	Enable ± phase shift
PSCLK	In	Clock for phase shift
PSDONE	Out	Active when completed

Two separate components of the phase shift range must be understood:

- PHASE\_SHIFT attribute range
- FINE\_SHIFT\_RANGE DCM timing parameter range

The PHASE\_SHIFT attribute is the numerator in the following equation:

$$\text{Phase Shift (ns)} = (\text{PHASE\_SHIFT}/256) * \text{PERIOD}_{\text{CLKIN}}$$

The full range of this attribute is always –255 to +255, but its practical range varies with CLKIN frequency, as constrained by the FINE\_SHIFT\_RANGE component, which represents the total delay achievable by the phase shift delay line. Total delay is a function of the number of delay taps used in the circuit. Across process, voltage, and temperature, this absolute range is guaranteed to be as specified under "DCM Timing Parameters" in "DC and Switching Characteristics" (Module 3).

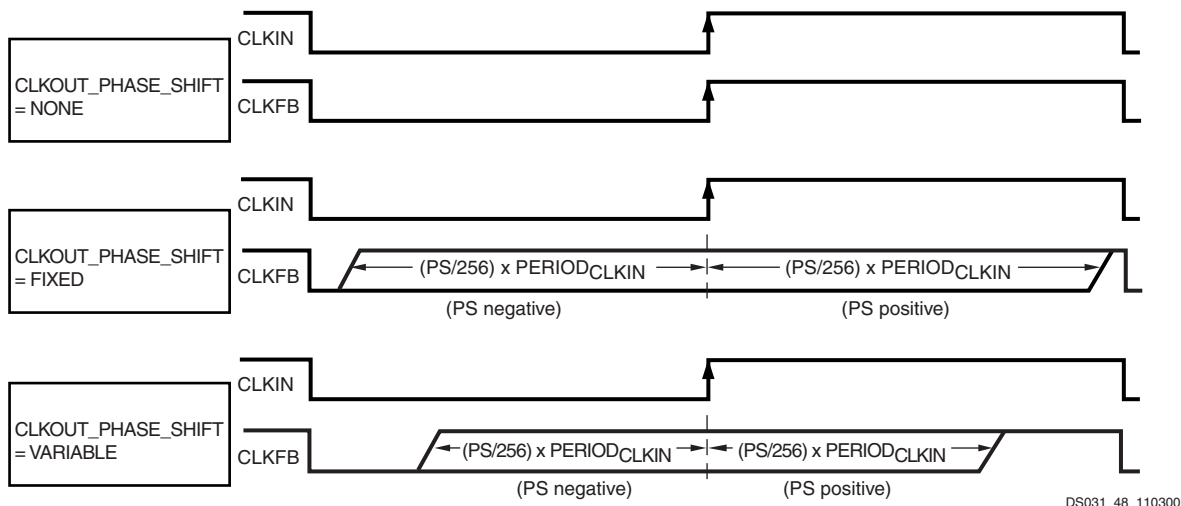


Figure 51: Fine-Phase Shifting Effects

DS031\_48\_110300

Absolute range (fixed mode) =  $\pm$  FINE\_SHIFT\_RANGE

Absolute range (variable mode) =  $\pm$  FINE\_SHIFT\_RANGE/2

The reason for the difference between fixed and variable modes is as follows. For variable mode to allow symmetric, dynamic sweeps from -255/256 to +255/256, the DCM sets the "zero phase skew" point as the middle of the delay line, thus dividing the total delay line range in half. In fixed mode, since the PHASE\_SHIFT value never changes after configuration, the entire delay line is available for insertion into either the CLKIN or CLKFB path (to create either positive or negative skew).

Taking both of these components into consideration, the following are some usage examples:

- If  $PERIOD_{CLKIN} = 2 * FINE\_SHIFT\_RANGE$ , then PHASE\_SHIFT in fixed mode is limited to  $\pm 128$ , and in variable mode it is limited to  $\pm 64$ .

- If  $PERIOD_{CLKIN} = FINE\_SHIFT\_RANGE$ , then PHASE\_SHIFT in fixed mode is limited to  $\pm 255$ , and in variable mode it is limited to  $\pm 128$ .
- If  $PERIOD_{CLKIN} \leq 0.5 * FINE\_SHIFT\_RANGE$ , then PHASE\_SHIFT is limited to  $\pm 255$  in either mode.

### Operating Modes

The frequency ranges of DCM input and output clocks depend on the operating mode specified, either low-frequency mode or high-frequency mode, according to [Table 23](#). For actual values, see "[DC and Switching Characteristics](#)" ([Module 3](#)). The CLK2X, CLK2X180, CLK90, and CLK270 outputs are not available in high-frequency mode.

High or low-frequency mode is selected by an attribute.

**Table 23: DCM Frequency Ranges**

Output Clock	Low-Frequency Mode		High-Frequency Mode	
	CLKIN Input	CLK Output	CLKIN Input	CLK Output
CLK0, CLK180	CLKIN_FREQ_DLL_LF	CLKOUT_FREQ_1X_LF	CLKIN_FREQ_DLL_HF	CLKOUT_FREQ_1X_HF
CLK90, CLK270	CLKIN_FREQ_DLL_LF	CLKOUT_FREQ_1X_LF	NA	NA
CLK2X, CLK2X180	CLKIN_FREQ_DLL_LF	CLKOUT_FREQ_2X_LF	NA	NA
CLKDV	CLKIN_FREQ_DLL_LF	CLKOUT_FREQ_DV_LF	CLKIN_FREQ_DLL_HF	CLKOUT_FREQ_DV_HF
CLKFX, CLKFX180	CLKIN_FREQ_FX_LF	CLKOUT_FREQ_FX_LF	CLKIN_FREQ_FX_HF	CLKOUT_FREQ_FX_HF

## Routing

### DCM Locations/Organization

Virtex-II Pro DCMs are placed on the top and bottom of each block RAM and multiplier column in some combination, as shown in [Table 24](#). The number of DCMs total twice the number of block RAM columns in the device. Refer to [Figure 40, page 31](#) for an illustration of this in the XQ2VP4 device.

Table 24: DCM Organization

Device	Block RAM Columns	DCMs
XQ2VP40	10	8
XQ2VP70	14	8

Place-and-route software takes advantage of this regular array to deliver optimum system performance and fast compile times. The segmented routing resources are essential to guarantee IP cores portability and to efficiently handle an incremental design flow that is based on modular implementations. Total design time is reduced due to fewer and shorter design iterations.

### Hierarchical Routing Resources

Most Virtex-II Pro signals are routed using the global routing resources, which are located in horizontal and vertical routing channels between each switch matrix.

As shown in [Figure 52, page 39](#), Virtex-II Pro has fully buffered programmable interconnections, with a number of resources counted between any two adjacent switch matrix rows or columns. Fanout has minimal impact on the performance of each net.

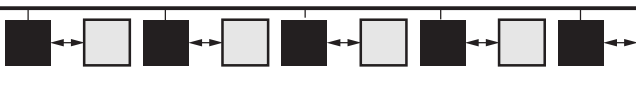
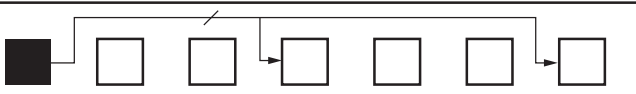

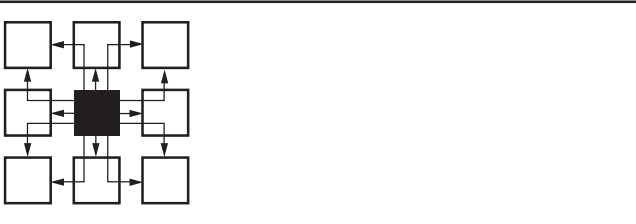

- The long lines are bidirectional wires that distribute signals across the device. Vertical and horizontal long lines span the full height and width of the device.
- The hex lines route signals to every third or sixth block away in all four directions. Organized in a staggered pattern, hex lines can only be driven from one end. Hex-line signals can be accessed either at the endpoints or at the midpoint (three blocks from the source).
- The double lines route signals to every first or second block away in all four directions. Organized in a staggered pattern, double lines can be driven only at their endpoints. Double-line signals can be accessed either at the endpoints or at the midpoint (one block from the source).
- The direct connect lines route signals to neighboring blocks: vertically, horizontally, and diagonally.
- The fast connect lines are the internal CLB local interconnections from LUT outputs to LUT inputs.

### Dedicated Routing

In addition to the global and local routing resources, dedicated signals are available.

- There are eight global clock nets per quadrant. (See ["Global Clock Multiplexer Buffers," page 32.](#))
- Horizontal routing resources are provided for on-chip three-state buses. Four partitionable bus lines are provided per CLB row, permitting multiple buses within a row. (See ["Three-State Buffers," page 28.](#))
- Two dedicated carry-chain resources per slice column (two per CLB column) propagate carry-chain MUXCY output signals vertically to the adjacent slice. (See ["CLB/Slice Configurations," page 28.](#))
- One dedicated SOP chain per slice row (two per CLB row) propagate ORCY output logic signals horizontally to the adjacent slice. (See ["Sum of Products," page 24.](#))
- One dedicated shift-chain per CLB connects the output of LUTs in shift-register mode to the input of the next LUT in shift-register mode (vertically) inside the CLB. (See ["Shift Registers," page 23.](#))



<p>24 Horizontal Long Lines 24 Vertical Long Lines</p>	
<p>120 Horizontal Hex Lines 120 Vertical Hex Lines</p>	
<p>40 Horizontal Double Lines 40 Vertical Double Lines</p>	
<p>16 Direct Connections (total in all four directions)</p>	
<p>8 Fast Connects</p>	

DS031\_60\_110200

Figure 52: Hierarchical Routing Resources

## Configuration

Virtex-II Pro devices are configured by loading application specific configuration data into the internal configuration memory. Configuration is carried out using a subset of the device pins, some of which are dedicated, while others can be re-used as general purpose inputs and outputs once configuration is complete.

Depending on the system design, several configuration modes are supported, selectable via mode pins. The mode pins M2, M1, and M0 are dedicated pins. The M2, M1, and M0 mode pins should be set at a constant DC voltage level, either through pull-up or pull-down resistors, or tied directly to ground or  $V_{CCAUX}$ . The mode pins should not be toggled during and after configuration.

An additional pin, HSWAP\_EN is used in conjunction with the mode pins to select whether user I/O pins have pull-ups during configuration. By default, HSWAP\_EN is tied High (internal pull-up) which shuts off the pull-ups on the user I/O pins during configuration. When HSWAP\_EN is tied Low, user I/Os have pull-ups during configuration. Other dedicated pins are CCLK (the configuration clock pin), DONE, PROG\_B, and the boundary-scan pins: TDI, TDO, TMS, and TCK. (The TDO pin is open-drain and does not have an internal pull-up resistor.) Depending on the configuration mode chosen, CCLK can be an output generated by the FPGA, or an input accepting an externally generated clock. The configuration pins and Boundary-Scan pins are independent of the  $V_{CCO}$ . The auxiliary power supply ( $V_{CCAUX}$ ) of 2.5V is used for these pins. All configuration pins are LVCMOS25 12mA. See ["DC and Switching Characteristics" \(Module 3\)](#).

A "persist" option is available which can be used to force the configuration pins to retain their configuration function even after device configuration is complete. If the persist option is not selected then the configuration pins with the exception of CCLK, PROG\_B, and DONE can be used as user I/O in normal operation. The persist option does not apply to the boundary-scan related pins. The persist feature is valuable in applications which employ partial reconfiguration or reconfiguration on the fly.

## Configuration Modes

Virtex-II Pro supports five configuration modes:

- ["Slave-Serial Mode"](#)
- ["Master-Serial Mode"](#)
- ["Slave SelectMAP Mode"](#)
- ["Master SelectMAP Mode"](#)
- ["Boundary-Scan \(JTAG, IEEE 1532\) Mode"](#)

Refer to [Table 26, page 41](#).

A detailed description of configuration modes is provided in the *Virtex-II Pro Platform FPGA User Guide*.

### Slave-Serial Mode

In slave-serial mode, the FPGA receives configuration data in bit-serial form from a serial PROM or other serial source of configuration data. The CCLK pin on the FPGA is an input in this mode. The serial bitstream must be setup at the DIN input pin a short time before each rising edge of the externally generated CCLK.

Multiple FPGAs can be daisy-chained for configuration from a single source. After a particular FPGA has been configured, the data for the next device is routed internally to the DOUT pin. The data on the DOUT pin changes on the falling edge of CCLK.

Slave-serial mode is selected by applying [111] to the mode pins (M2, M1, M0). A weak pull-up on the mode pins makes slave serial the default mode if the pins are left unconnected.

### Master-Serial Mode

In master-serial mode, the CCLK pin is an output pin. It is the Virtex-II Pro FPGA device that drives the configuration clock on the CCLK pin to a Xilinx Serial PROM which in turn feeds bit-serial data to the DIN input. The FPGA accepts this data on each rising CCLK edge. After the FPGA has been loaded, the data for the next device in a daisy-chain is presented on the DOUT pin after the falling CCLK edge.

The interface is identical to slave serial except that an internal oscillator is used to generate the configuration clock (CCLK). A wide range of frequencies can be selected for CCLK which always starts at a slow default frequency. Configuration bits then switch CCLK to a higher frequency for the remainder of the configuration.

### Slave SelectMAP Mode

The SelectMAP mode is the fastest configuration option. Byte-wide data is written into the Virtex-II Pro FPGA device with a BUSY flag controlling the flow of data. An external data source provides a byte stream, CCLK, an active Low Chip Select (CS\_B) signal and a Write signal (RDWR\_B). If BUSY is asserted (High) by the FPGA, the data must be held until BUSY goes Low. Data can also be read using the SelectMAP mode. If RDWR\_B is asserted, configuration data is read out of the FPGA as part of a readback operation.

After configuration, the pins of the SelectMAP port can be used as additional user I/O. Alternatively, the port can be retained to permit high-speed 8-bit readback using the persist option.

Multiple Virtex-II Pro FPGAs can be configured using the SelectMAP mode, and be made to start-up simultaneously. To configure multiple devices in this way, wire the individual CCLK, Data, RDWR\_B, and BUSY pins of all the devices in

parallel. The individual devices are loaded separately by deasserting the CS\_B pin of each device in turn and writing the appropriate data.

### Master SelectMAP Mode

This mode is a master version of the SelectMAP mode. The device is configured byte-wide on a CCLK supplied by the Virtex-II Pro FPGA device. Timing is similar to the Slave SerialMAP mode except that CCLK is supplied by the Virtex-II Pro FPGA.

### Boundary-Scan (JTAG, IEEE 1532) Mode

In boundary-scan mode, dedicated pins are used for configuring the Virtex-II Pro device. The configuration is done entirely through the IEEE 1149.1 Test Access Port (TAP). Virtex-II Pro device configuration using Boundary-Scan is compliant with IEEE 1149.1-1993 standard and the

Table 26: Virtex-II Pro Configuration Mode Pin Settings

Configuration Mode <sup>(1)</sup>	M2	M1	M0	CCLK Direction	Data Width	Serial D <sub>OUT</sub> <sup>(2)</sup>
Master Serial	0	0	0	Out	1	Yes
Slave Serial	1	1	1	In	1	Yes
Master SelectMAP	0	1	1	Out	8	No
Slave SelectMAP	1	1	0	In	8	No
Boundary-Scan	1	0	1	N/A	1	No

#### Notes:

1. The HSWAP\_EN pin controls the pull-ups. Setting M2, M1, and M0 selects the configuration mode, while the HSWAP\_EN pin controls whether or not the pull-ups are used.
2. Daisy chaining is possible only in modes where Serial D<sub>OUT</sub> is used. For example, in SelectMAP modes, the first device does NOT support daisy chaining of downstream devices.

## Configuration Sequence

The configuration of Virtex-II Pro devices is a three-phase process. First, the configuration memory is cleared. Next, configuration data is loaded into the memory, and finally, the logic is activated by a start-up process.

Configuration is automatically initiated on power-up unless it is delayed by the user. The INIT\_B pin can be held Low using an open-drain driver. An open-drain is required since INIT\_B is a bidirectional open-drain pin that is held Low by a Virtex-II Pro FPGA device while the configuration memory is being cleared. Extending the time that the pin is Low causes the configuration sequencer to wait. Thus, configuration is delayed by preventing entry into the phase where data is loaded.

The configuration process can also be initiated by asserting the PROG\_B pin. The end of the memory-clearing phase is signaled by the INIT\_B pin going High, and the completion of the entire process is signaled by the DONE pin going High. The Global Set/Reset (GSR) signal is pulsed after the last frame of configuration data is written but before the

new IEEE 1532 standard for In-System Configurable (ISC) devices. The IEEE 1532 standard is backward compliant with the IEEE 1149.1-1993 TAP and state machine. The IEEE Standard 1532 for In-System Configurable (ISC) devices is intended to be programmed, reprogrammed, or tested on the board via a physical and logical protocol. Configuration through the boundary-scan port is always available, independent of the mode selection. Selecting the boundary-scan mode simply turns off the other modes.

Table 25 lists the default total number of bits required to configure each device.

Table 25: Virtex-II Pro Default Bitstream Lengths

Device	Number of Configuration Bits
XQ2VP40	15,868,192
XQ2VP70	26,098,976

start-up sequence. The GSR signal resets all flip-flops on the device.

The default start-up sequence is that one CCLK cycle after DONE goes High, the global three-state signal (GTS) is released. This permits device outputs to turn on as necessary. One CCLK cycle later, the Global Write Enable (GWE) signal is released. This permits the internal storage elements to begin changing state in response to the logic and the user clock.

The relative timing of these events can be changed via configuration options in software. In addition, the GTS and GWE events can be made dependent on the DONE pins of multiple devices all going High, forcing the devices to start synchronously. The sequence can also be paused at any stage, until lock has been achieved on any or all DCMs, as well as DCI.

## Readback

In this mode, configuration data from the Virtex-II Pro FPGA device can be read back. Readback is supported only in the SelectMAP (master and slave) and Boundary-Scan mode.

Along with the configuration data, it is possible to read back the contents of all registers, distributed SelectRAM+, and block RAM resources. This capability is used for real-time debugging. For more detailed configuration information, see the *Virtex-II Pro Platform FPGA User Guide*.

## Bitstream Encryption

Virtex-II Pro devices have an on-chip decryptor using one or two sets of three keys for triple-key Data Encryption Standard (DES) operation. Xilinx software tools offer an optional encryption of the configuration data (bitstream) with a triple-key DES determined by the designer.

The keys are stored in the FPGA by JTAG instruction and retained by a battery connected to the V<sub>BATT</sub> pin, when the device is not powered. Virtex-II Pro devices can be configured with the corresponding encrypted bitstream, using any of the configuration modes described previously.

A detailed description of how to use bitstream encryption is provided in the *Virtex-II Pro Platform FPGA User Guide*. Your local FAE can also provide specific information on this feature.

## Partial Reconfiguration

Partial reconfiguration of Virtex-II Pro devices can be accomplished in either Slave SelectMAP mode or Boundary-Scan mode. Instead of resetting the chip and doing a full configuration, new data is loaded into a specified area of the chip, while the rest of the chip remains in operation. Data is loaded on a column basis, with the smallest load unit being a configuration “frame” of the bitstream (device size dependent).

Partial reconfiguration is useful for applications that require different designs to be loaded into the same area of a chip, or that require the ability to change portions of a design without having to reset or reconfigure the entire chip.

For more information on Partial Reconfiguration in Virtex-II Pro devices, please refer to Xilinx Application Note [XAPP290](#), *Two Flows for Partial Reconfiguration*.

## Revision History

This section records the change history for this module of the data sheet.

Date	Version	Revision
11/29/06	1.0	Initial Xilinx release.
12/20/07	2.0	<ul style="list-style-type: none"> <li>Change data sheet title.</li> <li>Added support for XQ2VP70-6EF1704I.</li> <li>Removed support for XQV2P70-6MF1704I.</li> <li>Updated document template.</li> <li>Updated URLs.</li> </ul>
07/25/11	2.1	Added <i>Product Not Recommended for New Designs</i> banner.

## QPro Virtex-II Pro Data Sheet

The QPro Virtex-II Pro Data Sheet contains the following modules:

- ["Introduction and Overview" \(Module 1\)](#)
- ["Functional Description" \(Module 2\)](#)
- ["DC and Switching Characteristics" \(Module 3\)](#)
- ["Pinout Information" \(Module 4\)](#)

## Notice of Disclaimer

THE XILINX HARDWARE FPGA AND CPLD DEVICES REFERRED TO HEREIN (“PRODUCTS”) ARE SUBJECT TO THE TERMS AND CONDITIONS OF THE XILINX LIMITED WARRANTY WHICH CAN BE VIEWED AT <http://www.xilinx.com/warranty.htm>. THIS LIMITED WARRANTY DOES NOT EXTEND TO ANY USE OF PRODUCTS IN AN APPLICATION OR ENVIRONMENT THAT IS NOT WITHIN THE SPECIFICATIONS STATED IN THE XILINX DATA SHEET. ALL SPECIFICATIONS ARE SUBJECT TO CHANGE WITHOUT NOTICE. PRODUCTS ARE NOT DESIGNED OR INTENDED TO BE FAIL-SAFE OR FOR USE IN ANY APPLICATION REQUIRING FAIL-SAFE PERFORMANCE, SUCH AS LIFE-SUPPORT OR SAFETY DEVICES OR SYSTEMS, OR ANY OTHER APPLICATION THAT INVOKES THE POTENTIAL RISKS OF DEATH, PERSONAL INJURY, OR PROPERTY OR ENVIRONMENTAL DAMAGE (“CRITICAL APPLICATIONS”). USE OF PRODUCTS IN CRITICAL APPLICATIONS IS AT THE SOLE RISK OF CUSTOMER, SUBJECT TO APPLICABLE LAWS AND REGULATIONS.



## QPro Virtex-II Pro Electrical Characteristics

The QPro Virtex™-II Pro platform FPGAs are provided in -6 and -5 speed grades.

QPro Virtex-II Pro DC and AC characteristics are specified for both commercial and industrial grades. Except the operating temperature range or unless otherwise noted, all the DC and AC electrical parameters are the same for a particular speed grade (that is, the timing characteristics of a -6 speed grade industrial device are the same as for a -6 speed grade commercial device). However, only selected

speed grades and/or devices might be available in the industrial range.

All supply voltage and junction temperature specifications are representative of worst-case conditions. The parameters included are common to popular designs and typical applications. Contact Xilinx for design considerations requiring more detailed information.

All specifications are subject to change without notice.

## QPro Virtex-II Pro DC Characteristics

Table 1: Absolute Maximum Ratings

Symbol	Description <sup>(1)</sup>	Virtex-II Pro	Units
V <sub>CCINT</sub>	Internal supply voltage relative to GND	-0.5 to 1.6	V
V <sub>CCAUX</sub>	Auxiliary supply voltage relative to GND	-0.5 to 3.0	V
V <sub>CCO</sub>	Output drivers supply voltage relative to GND	-0.5 to 3.75	V
V <sub>BATT</sub>	Key memory battery backup supply	-0.5 to 4.05	V
V <sub>REF</sub>	Input reference voltage	-0.3 to 3.75	V
V <sub>IN</sub>	3.3V I/O input voltage relative to GND (user and dedicated I/Os)	-0.3 to 4.05 <sup>(4)</sup>	V
	2.5V or below I/O input voltage relative to GND (user and dedicated I/Os)	-0.5 to V <sub>CCO</sub> + 0.5	V
V <sub>TS</sub>	Voltage applied to three-state 3.3V output (user and dedicated I/Os)	-0.3 to 4.05 <sup>(4)</sup>	V
	Voltage applied to three-state 2.5V or below output (user and dedicated I/Os)	-0.5 to V <sub>CCO</sub> + 0.5	V
AV <sub>CCAUXRX</sub> <sup>(2)</sup>	Receive auxiliary supply voltage relative to GNDA (analog ground)	-0.5 to 3.0	V
AV <sub>CCAUXTX</sub> <sup>(2)</sup>	Transmit auxiliary supply voltage relative to GNDA (analog ground)	-0.5 to 3.0	V
V <sub>TRX</sub>	Terminal receive supply voltage relative to GND	-0.5 to 3.0	V
V <sub>TTX</sub>	Terminal transmit supply voltage relative to GND	-0.5 to 3.0	V
T <sub>STG</sub>	Storage temperature (ambient)	-65 to +150	°C
T <sub>SOL</sub>	Maximum soldering temperature <sup>(3)</sup>	All regular FG/FF flip-chip packages +220	°C
T <sub>J</sub>	Maximum junction temperature <sup>(3)</sup>	+125	°C

### Notes:

1. Stresses beyond those listed under Absolute Maximum Ratings might cause permanent damage to the device. These are stress ratings only, and functional operation of the device at these or any other conditions beyond those listed under Operating Conditions is not implied. Exposure to Absolute Maximum Ratings conditions for extended periods of time might affect device reliability.
2. RocketIO™ Multi-Gigabit Transceivers (MGTs) are not supported in QPro Virtex-II Pro FPGAs.
3. For soldering guidelines and thermal considerations, see the [UG112, Device Packaging and Thermal Characteristics Guide](#), information on the Xilinx website.
4. 3.3V I/O Absolute Maximum limit applied to DC and AC signals. Refer to [XAPP659, Virtex-II Pro / Virtex-II Pro X 3.3V I/O Design Guidelines](#) for more details.

**Table 2: Recommended Operating Conditions**

Symbol	Description	Virtex-II Pro FPGAs		Units
		Min	Max	
$V_{CCINT}$	Internal supply voltage relative to GND	1.425	1.575	V
$V_{CCAUX}^{(1)}$	Auxiliary supply voltage relative to GND	2.375	2.625	V
$V_{CCO}^{(2,3)}$	Supply voltage relative to GND	1.2	3.45 <sup>(5)</sup>	V
$V_{IN}$	3.3V supply voltage relative to GND	GND – 0.2	3.45 <sup>(5)</sup>	V
	2.5V and below supply voltage relative to GND	GND – 0.2	$V_{CCO} + 0.2$	V
$V_{BATT}^{(4)}$	Battery voltage relative to GND	1.0	3.6	V
$AV_{CCAUXRX}^{(6,7)}$	Auxiliary receive supply voltage relative to GNDA	2.375	2.625	V
$AV_{CCAUXTX}^{(6,7)}$	Auxiliary transmit supply voltage relative to GNDA	2.375	2.625	V
$V_{TRX}$	Terminal receive supply voltage relative to GND	1.6	2.625	V
$V_{TTX}$	Terminal transmit supply voltage relative to GND	1.6	2.625	V

**Notes:**

1. Recommended maximum voltage droop for  $V_{CCAUX}$  is 10 mV/ms.
2. Configuration data is retained even if  $V_{CCO}$  drops to 0V.
3. For 3.3V I/O operation, refer to Virtex-II Pro / Virtex-II Pro X 3.3V I/O Design Guidelines, available on the Xilinx website at [www.xilinx.com](http://www.xilinx.com).
4. If battery is not used, connect VBATT to GND or VCCAUX.
5. For PCI and PCI-X, refer to [XAPP653](#), 3.3V PCI Design Guidelines, available on the Xilinx website at [www.xilinx.com](http://www.xilinx.com).
6. RocketIO Multi-Gigabit Transceivers (MGTs) are not supported in QPro Virtex-II Pro FPGAs
7. **Caution!** The RocketIO transceivers have certain power guidelines that must be met, even if unused. Refer to the section entitled “Powering the RocketIO Transceivers” in the [UG024](#), *RocketIO™ Transceiver User Guide*, for more details.

**Table 3: DC Characteristics Over Recommended Operating Conditions**

Symbol	Description	Virtex-II Pro FPGAs			Units
		Min	Typ	Max	
$V_{DRINT}$	Data retention $V_{CCINT}$ voltage (below which configuration data might be lost)	1.25			V
$V_{DRI}$	Data retention $V_{CCAUX}$ voltage (below which configuration data might be lost)	2.0			V
$I_{REF}$	$V_{REF}$ current per pin			10	$\mu$ A
$I_L$	Input or output leakage current per pin (sample-tested)			10	$\mu$ A
$C_{IN}$	Input capacitance (sample-tested)			10	pF
$I_{RPU}$	Pad pull-up (when selected) @ $V_{in} = 0V$ , $V_{CCO} = 2.5V$ (sample tested)			150	$\mu$ A
$I_{RPD}$	Pad pull-down (when selected) @ $V_{in} = 2.5V$ (sample-tested)			150	$\mu$ A
$I_{BATT}^{(1)}$	Battery supply current	Note (2)			nA
$I_{CCAUXTX}$	Operating $AV_{CCAUXTX}$ supply current		60		mA
$I_{CCAUXRX}$	Operating $AV_{CCAUXRX}$ supply current		35		mA
$I_{TTX}$	Operating $I_{TTX}$ supply current when transmitter is AC-coupled		30		mA
	Operating $I_{TTX}$ supply current when transmitter is DC-coupled		15		mA
$I_{TRX}$	Operating $I_{TRX}$ supply current when receiver is AC-coupled		0		mA
	Operating $I_{TRX}$ supply current when receiver is DC-coupled		15		mA
$P_{CPU}$	Power dissipation of PowerPC™ 405 processor block		0.9		mW/ MHz

**Notes:**

1. Characterized, not tested.
2. For battery supply current ( $I_{BATT}$ ), see [Table 4, page 3](#).

**Table 4: Battery Supply Current**

Temperature	Device Unpowered	Device Powered	Units
-55°C	N/A	< 170	nA
25°C	< 50	< 10	nA
85°C	N/A	< 10	nA
125°C	N/A	< 400	nA

**Table 5: Quiescent Supply Current**

Symbol	Description	Device	Typ <sup>(1)</sup>	Max <sup>(4)</sup>	Units
I <sub>CCINTQ</sub>	Quiescent V <sub>CCINT</sub> supply current	XQ2VP40	60	1970	mA
		XQ2VP70	85	3190	mA
I <sub>CCOQ</sub>	Quiescent V <sub>CCO</sub> supply current	XQ2VP40	1.25	18.5	mA
		XQ2VP70	1.25	22.5	mA
I <sub>CCAUXQ</sub>	Quiescent V <sub>CCAUX</sub> supply current	XQ2VP40	10	155	mA
		XQ2VP70	20	190	mA

**Notes:**

- Typical values are specified at nominal voltage, 25°C.
- With no output current loads, no active input pull-up resistors, all I/O pins are three-state and floating.
- If DCI or differential signaling is used, more accurate quiescent current estimates can be obtained by using the Power Estimator or the XPOWER™ tool.
- All values shown reflect the military temperature operating range. For industrial temperature operating range values, refer to [DS083](#), *Virtex-II Pro and Virtex-II Pro X Platform FPGAs*.

## Power-On Power Supply Requirements

Xilinx FPGAs require a certain amount of supply current during power-on to insure proper device initialization. The actual current consumed depends on the power-on ramp rate of the power supply.

The V<sub>CCINT</sub> power supply must ramp on, monotonically, no faster than 200 μs and no slower than 50 ms. Ramp-on is defined as: 0 V<sub>DC</sub> to minimum supply voltages (see [Table 2](#)).

V<sub>CCAUX</sub> and V<sub>CCO</sub> can power on at any ramp rate. Power supplies can be turned on in any sequence.

[Table 6](#) shows the maximum current required by QPro Virtex-II Pro devices for proper power-on and configuration.

**Table 6: Maximum Power-On Current for QPro Virtex-II Pro Devices**

Symbol	Device		Units
	XQ2VP40	XQ2VP70	
I <sub>CCINTMAX</sub>	1970	3190	mA
I <sub>CCIO MAX</sub>	190	190	mA
I <sub>CCAUXMAX</sub>	475	475	mA

**Notes:**

- I<sub>CCOMIN</sub> values listed here apply to the entire device (all banks).
- All values shown reflect the military temperature operating range. For industrial temperature operating range values, refer to *Virtex-II Pro and Virtex-II Pro X Platform FPGAs*.

Once initialized and configured, use the power calculator to estimate current drain on these supplies.

For more information on V<sub>CCAUX</sub>, V<sub>CCO</sub>, and configuration mode, refer to Chapter 3 in the *Virtex-II Pro Platform FPGA User Guide*.

## General Power Supply Requirements

Proper decoupling of all FPGA power supplies is essential. Consult [XAPP623](#), *Power Distribution System (PDS) Design: Using Bypass/Decoupling Capacitors*, for detailed information on power distribution system design.

V<sub>CCAUX</sub> powers critical resources in the FPGA. Therefore, this supply voltage is especially susceptible to power supply noise. V<sub>CCAUX</sub> can share a power plane with V<sub>CCO</sub>, but only if V<sub>CCO</sub> does not have excessive noise. Staying within simultaneously switching output (SSO) limits is essential for keeping power supply noise to a minimum. Refer to [XAPP689](#), *Managing Ground Bounce in Large FPGAs*, to determine the number of simultaneously switching outputs allowed per bank at the package level.

Changes in V<sub>CCAUX</sub> voltage beyond 200 mV peak-to-peak should take place at a rate no faster than 10 mV per millisecond.

Recommended practices that can help reduce jitter and period distortion are described in Xilinx Answer Record 13756.



## SelectIO-Ultra DC Input and Output Levels

Values for  $V_{IL}$  and  $V_{IH}$  are recommended input voltages. Values for  $I_{OL}$  and  $I_{OH}$  are guaranteed over the recommended operating conditions at the  $V_{OL}$  and  $V_{OH}$  test points. Only selected standards are tested. These are chosen to ensure that all standards meet their specifications. The selected standards are tested at minimum  $V_{CCO}$  with the respective  $V_{OL}$  and  $V_{OH}$  voltage levels shown. Other standards are sample tested.

Table 7: DC Input and Output Levels

IOSTANDARD Attribute	$V_{IL}$		$V_{IH}$		$V_{OL}$	$V_{OH}$	$I_{OL}$	$I_{OH}$
	V, min	V, max	V, min	V, max	V, max	V, min	mA	mA
LVTTL	-0.2	0.8	2.0	3.45	0.4	2.4	24	-24
LVC MOS33	-0.2	0.8	2.0	3.45	0.4	$V_{CCO} - 0.4$	24	-24
LVC MOS25	-0.2	0.7	1.7	$V_{CCO} + 0.4$	0.4	$V_{CCO} - 0.4$	24	-24
LVC MOS18	-0.2	30% $V_{CCO}$	70% $V_{CCO}$	$V_{CCO} + 0.4$	0.4	$V_{CCO} - 0.45$	16	-16
LVC MOS15	-0.2	30% $V_{CCO}$	70% $V_{CCO}$	$V_{CCO} + 0.4$	0.4	$V_{CCO} - 0.45$	16	-16
PCI33_3	-0.2	30% $V_{CCO}$	50% $V_{CCO}$	3.6	10% $V_{CCO}$	90% $V_{CCO}$		
PCI66_3	-0.2	30% $V_{CCO}$	50% $V_{CCO}$	3.6	10% $V_{CCO}$	90% $V_{CCO}$		
PCIX	-0.2	Note (1)	Note (1)	Note (1)	Note (1)	Note (1)	Note (1)	Note (1)
GTLP	-0.2	$V_{REF} - 0.1$	$V_{REF} + 0.1$	$V_{CCO} + 0.4$	0.6	n/a	36	n/a
GTL	-0.2	$V_{REF} - 0.05$	$V_{REF} + 0.05$	$V_{CCO} + 0.4$	0.4	n/a	40	n/a
HSTL_I	-0.2	$V_{REF} - 0.1$	$V_{REF} + 0.1$	$V_{CCO} + 0.4$	0.4 <sup>(2)</sup>	$V_{CCO} - 0.4$	8 <sup>(2)</sup>	-8 <sup>(2)</sup>
HSTL_II	-0.2	$V_{REF} - 0.1$	$V_{REF} + 0.1$	$V_{CCO} + 0.4$	0.4 <sup>(2)</sup>	$V_{CCO} - 0.4$	16 <sup>(2)</sup>	-16 <sup>(2)</sup>
HSTL_III	-0.2	$V_{REF} - 0.1$	$V_{REF} + 0.1$	$V_{CCO} + 0.4$	0.4 <sup>(2)</sup>	$V_{CCO} - 0.4$	24 <sup>(2)</sup>	-8 <sup>(2)</sup>
HSTL_IV	-0.2	$V_{REF} - 0.1$	$V_{REF} + 0.1$	$V_{CCO} + 0.4$	0.4 <sup>(2)</sup>	$V_{CCO} - 0.4$	48 <sup>(2)</sup>	-8 <sup>(2)</sup>
SSTL2_I	-0.2	$V_{REF} - 0.15$	$V_{REF} + 0.15$	$V_{CCO} + 0.3$	$V_{TT} - 0.61$	$V_{TT} + 0.61$	8.1	-8.1
SSTL2_II	-0.2	$V_{REF} - 0.15$	$V_{REF} + 0.15$	$V_{CCO} + 0.3$	$V_{TT} - 0.81$	$V_{TT} + 0.81$	16.2	-16.2
SSTL18_I	-0.2	$V_{REF} - 0.125$	$V_{REF} + 0.125$	$V_{CCO} + 0.3$	$V_{TT} - 0.61$	$V_{TT} + 0.61$	6.7	-6.7
SSTL18_II	-0.2	$V_{REF} - 0.125$	$V_{REF} + 0.125$	$V_{CCO} + 0.3$	$V_{TT} - 0.61$	$V_{TT} + 0.61$	13.4	-13.4

**Notes:**

1. Tested according to relevant specifications.
2. This applies to 1.5V and 1.8V HSTL.

## LDT DC Specifications (LDT\_25)

Table 8: LDT DC Specifications

DC Parameter	Symbol	Conditions	Min	Typ	Max	Units
Supply Voltage	$V_{CCO}$		2.38	2.5	2.63	V
Differential Output Voltage	$V_{OD}$	$R_T = 100$ ohm across Q and $\bar{Q}$ signals	495	600	715	mV
Change in $V_{OD}$ Magnitude	$\Delta V_{OD}$		-15		15	mV
Output Common Mode Voltage	$V_{OCM}$	$R_T = 100$ ohm across Q and $\bar{Q}$ signals	495	600	715	mV
Change in $V_{OS}$ Magnitude	$\Delta V_{OCM}$		-15		15	mV
Input Differential Voltage	$V_{ID}$		200	600	1000	mV
Change in $V_{ID}$ Magnitude	$\Delta V_{ID}$		-15		15	mV
Input Common Mode Voltage	$V_{ICM}$		440	600	780	mV
Change in $V_{ICM}$ Magnitude	$\Delta V_{ICM}$		-15		15	mV

## LVDS DC Specifications (LVDS\_25)

Table 9: LVDS DC Specifications

DC Parameter	Symbol	Conditions	Min	Typ	Max	Units
Supply Voltage	$V_{CCO}$		2.38	2.5	2.63	V
Output High Voltage for Q and $\bar{Q}$	$V_{OH}$	$R_T = 100 \Omega$ across Q and $\bar{Q}$ signals			1.602	V
Output Low Voltage for Q and $\bar{Q}$	$V_{OL}$	$R_T = 100 \Omega$ across Q and $\bar{Q}$ signals	0.898			V
Differential Output Voltage (Q – $\bar{Q}$ ), Q = High ( $\bar{Q}$ – Q), $\bar{Q}$ = High	$V_{ODIFF}$	$R_T = 100 \Omega$ across Q and $\bar{Q}$ signals	247	350	454	mV
Output Common-Mode Voltage	$V_{OCM}$	$R_T = 100 \Omega$ across Q and $\bar{Q}$ signals	1.125	1.250	1.375	V
Differential Input Voltage (Q – $\bar{Q}$ ), Q = High ( $\bar{Q}$ – Q), $\bar{Q}$ = High	$V_{IDIFF}$	Common-mode input voltage = 1.25V	100	350	600	mV
Input Common-Mode Voltage	$V_{ICM}$	Differential input voltage = $\pm 350$ mV	0.3	1.2	2.2	V

## Extended LVDS DC Specifications (LVDSEXT\_25)

Table 10: Extended LVDS DC Specifications

DC Parameter	Symbol	Conditions	Min	Typ	Max	Units
Supply Voltage	$V_{CCO}$		2.38	2.5	2.63	V
Output High Voltage for Q and $\bar{Q}$	$V_{OH}$	$R_T = 100 \Omega$ across Q and $\bar{Q}$ signals			1.785	V
Output Low Voltage for Q and $\bar{Q}$	$V_{OL}$	$R_T = 100 \Omega$ across Q and $\bar{Q}$ signals	0.715			V
Differential Output Voltage (Q – $\bar{Q}$ ), Q = High ( $\bar{Q}$ – Q), $\bar{Q}$ = High	$V_{ODIFF}$	$R_T = 100 \Omega$ across Q and $\bar{Q}$ signals	440		820	mV
Output Common-Mode Voltage	$V_{OCM}$	$R_T = 100 \Omega$ across Q and $\bar{Q}$ signals	1.125	1.250	1.375	V
Differential Input Voltage (Q – $\bar{Q}$ ), Q = High ( $\bar{Q}$ – Q), $\bar{Q}$ = High	$V_{IDIFF}$	Common-mode input voltage = 1.25V	100		1000	mV
Input Common-Mode Voltage	$V_{ICM}$	Differential input voltage = $\pm 350$ mV	0.3	1.2	2.2	V

## LVPECL DC Specifications (LVPECL\_25)

These values are valid when driving a  $100 \Omega$  differential load only, i.e., a  $100 \Omega$  resistor between the two receiver pins. The  $V_{OH}$  levels are 200 mV below standard LVPECL levels and are compatible with devices tolerant of lower common-mode ranges. Table 11 summarizes the DC output specifications of LVPECL. For more information on using LVPECL, see the *Virtex-II Pro Platform FPGA User Guide*.

Table 11: LVPECL DC Specifications

DC Parameter	$V_{CCO} = 2.375V$		$V_{CCO} = 2.5V$		$V_{CCO} = 2.625V$		Units
	Min	Max	Min	Max	Min	Max	
$V_{OH}$	1.35	1.495	1.475	1.62	1.6	1.745	V
$V_{OL}$	0.565	0.755	0.69	0.88	0.815	1.005	V
$V_{IH}$	0.8	2.0	0.8	2.0	0.8	2.0	V
$V_{IL}$	0.5	1.7	0.5	1.7	0.5	1.7	V
Differential Input Voltage	0.100	1.5	0.100	1.5	0.100	1.5	V

## QPro Virtex-II Pro Switching Characteristics

Switching characteristics are specified on a per-speed-grade basis and can be designated as Advance, Preliminary, or Production. Note that the QPro Virtex-II Pro devices are only offered in production -6 and -5 speed grades. Each designation is defined as follows:

**Advance:** These speed files are based on simulations only and are typically available soon after device design specifications are frozen. Although speed grades with this designation are considered relatively stable and conservative, some under-reporting might still occur.

**Preliminary:** These speed files are based on complete ES (engineering sample) silicon characterization. Devices and speed grades with this designation are intended to give a better indication of the expected performance of production silicon. The probability of under-reporting delays is greatly reduced as compared to Advance data.

**Production:** These speed files are released once enough production silicon of a particular device family member has been characterized to provide full correlation between speed files and devices over numerous production lots. There is no under-reporting of delays, and customers receive formal notification of any subsequent changes. Typically, the slowest speed grades transition to Production before faster speed grades.

Since individual family members are produced at different times, the migration from one category to another depends completely on the status of the fabrication process for each device. [Table 12](#) correlates the current status of each QPro Virtex-II Pro device with a corresponding speed file designation.

All specifications are always representative of worst-case supply voltage and junction temperature conditions.

**Table 12: QPro Virtex-II Pro Device Speed Grade Designations**

Device	Speed Grade Designation
	Production
XQ2VP40	-5
XQ2VP70	-6, -5

## Testing of Switching Characteristics

All devices are 100% functionally tested. Internal timing parameters are derived from measuring internal test patterns. Listed below are representative values. For more specific, more precise, and worst-case guaranteed data, use the values reported by the static timing analyzer (TRCE in the Xilinx Development System) and back-annotate to the simulation net list. Unless otherwise noted, values apply to all QPro Virtex-II Pro devices.

## PowerPC Switching Characteristics

**Table 13: Processor Clocks Absolute AC Characteristics**

Description	Speed Grade		Units
	-6	-5	
	Max	Max	
CPMC405CLOCK frequency	350 <sup>(3)</sup>	300	MHz
JTAGC405TCK frequency <sup>(1)</sup>	175	150	MHz
PLBCLK <sup>(2)</sup>	350	300	MHz
BRAMDSOCCLK <sup>(2)</sup>	350	300	MHz
BRAMISOCCLK <sup>(2)</sup>	350	300	MHz

**Notes:**

1. The theoretical maximum frequency of this clock is one-half the CPMC405CLOCK. However, the achievable maximum is dependent on the system, and will be much less.
2. The theoretical maximum frequency of these clocks is equal to the CPMC405CLOCK. However, the achievable maximum is dependent on the system. Please see [UG018](#), *PowerPC 405 Processor Block Reference Guide*, and [XAPP640](#), *Timing Constraints for Virtex-II Pro Designs*, for more information.
3. IMPORTANT! When CPMC405CLOCK runs at speeds greater than 350 MHz in -7 Commercial grade dual-processor devices, or greater than 300 MHz in -6 Industrial grade dual-processor devices, users must implement the technology presented in [XAPP755](#), *PowerPC 405 Clock Macro for -7(C) and -6(I) Speed Grade Dual-Processor Devices*. Refer to [Table 1](#), [Module 1](#) to identify dual-processor devices.

**Table 14: Processor Block Switching Characteristics**

Description	Symbol	Speed Grade		Units
		-6	-5	
<b>Setup and Hold Relative to Clock (CPMC405CLOCK)</b>				
Device Control Register Bus control inputs	$T_{PCC\_DCR}/T_{PCKC\_DCR}$	0.44/-0.20	0.48/-0.23	ns, min
Device Control Register Bus data inputs	$T_{PDC\_DCR}/T_{PCKD\_DCR}$	0.75/-0.01	0.82/-0.02	ns, min
Clock and Power Management control inputs	$T_{PCC\_CPM}/T_{PCKC\_CPM}$	0.19/ 0.03	0.20/ 0.03	ns, min
Reset control inputs	$T_{PCC\_RST}/T_{PCKC\_RST}$	0.19/ 0.03	0.20/ 0.03	ns, min
Debug control inputs	$T_{PCC\_DBG}/T_{PCKC\_DBG}$	0.31/ 0.35	0.34/ 0.38	ns, min
Trace control inputs	$T_{PCC\_TRC}/T_{PCKC\_TRC}$	1.57/-0.48	1.73/-0.52	ns, min
External Interrupt Controller control inputs	$T_{PCC\_EIC}/T_{PCKC\_EIC}$	0.66/-0.25	0.72/-0.27	ns, min
<b>Clock to Out</b>				
Device Control Register Bus control outputs	$T_{PCKCO\_DCR}$	1.52	1.67	ns, max
Device Control Register Bus address outputs	$T_{PCKAO\_DCR}$	1.98	2.17	ns, max
Device Control Register Bus data outputs	$T_{PCKDO\_DCR}$	2.02	2.22	ns, max
Clock and Power Management control outputs	$T_{PCKCO\_CPM}$	1.45	1.59	ns, max
Reset control outputs	$T_{PCKCO\_RST}$	1.51	1.66	ns, max
Debug control outputs	$T_{PCKCO\_DBG}$	2.22	2.44	ns, max
Trace control outputs	$T_{PCKCO\_TRC}$	1.56	1.71	ns, max
<b>Clock</b>				
CPMC405CLOCK minimum pulse width, high	$T_{CPWH}$	1.42	1.66	ns, min
CPMC405CLOCK minimum pulse width, low	$T_{CPWL}$	1.42	1.66	ns, min

**Table 15: Processor Block PLB Switching Characteristics**

Description	Symbol	Speed Grade		Units
		-6	-5	
<b>Setup and Hold Relative to Clock (PLBCLK)</b>				
Processor Local Bus(ICU/DCU) control inputs	$T_{PCC\_PLB}/T_{PCKC\_PLB}$	1.12/ 0.21	1.23/ 0.23	ns, min
Processor Local Bus (ICU/DCU) data inputs	$T_{PDC\_PLB}/T_{PCKD\_PLB}$	0.71/ 0.18	0.78/ 0.20	ns, min
<b>Clock to Out</b>				
Processor Local Bus(ICU/DCU) control outputs	$T_{PCKCO\_PLB}$	1.54	1.69	ns, max
Processor Local Bus(ICU/DCU) address bus outputs	$T_{PCKAO\_PLB}$	1.34	1.47	ns, max
Processor Local Bus(ICU/DCU) data bus outputs	$T_{PCKDO\_PLB}$	1.65	1.81	ns, max

**Table 16: Processor Block JTAG Switching Characteristics**

Description	Symbol	Speed Grade		Units
		-6	-5	
<b>Setup and Hold Relative to Clock (JTAGC405TCK)</b>				
JTAG control inputs	$T_{PCC\_JTAG}/T_{PCKC\_JTAG}$	0.80/ 0.70	0.88/ 0.77	ns, min
JTAG reset input	$T_{PCC\_JTAGRST}/T_{PCKC\_JTAGRST}$	0.80/ 0.70	0.88/ 0.77	ns, min
<b>Clock to Out</b>				
JTAG control outputs	$T_{PCKCO\_JTAG}$	1.54	1.69	ns, max

Table 17: PowerPC 405 Data-Side On-Chip Memory Switching Characteristics

Description	Symbol	Speed Grade		Units
		-6	-5	
<b>Setup and Hold Relative to Clock (BRAMDSOCCLK)</b>				
Data-Side On-Chip Memory data bus inputs	$T_{PDCK\_DSOCM}/T_{PCKD\_DSOCM}$	0.84/ 0.95	0.92/ 1.05	ns, min
<b>Clock to Out</b>				
Data-Side On-Chip Memory control outputs	$T_{PCKCO\_DSOCM}$	1.82	1.99	ns, max
Data-Side On-Chip Memory address bus outputs	$T_{PCKAO\_DSOCM}$	1.68	1.84	ns, max
Data-Side On-Chip Memory data bus outputs	$T_{PCKDO\_DSOCM}$	1.03	1.13	ns, max

Table 18: PowerPC 405 Instruction-Side On-Chip Memory Switching Characteristics

Description	Symbol	Speed Grade		Units
		-6	-5	
<b>Setup and Hold Relative to Clock (BRAMISOCCLK)</b>				
Instruction-Side On-Chip Memory data bus inputs	$T_{PDCK\_ISOCM}/T_{PCKD\_ISOCM}$	0.93/ 0.78	1.02/ 0.86	ns, min
<b>Clock to Out</b>				
Instruction-Side On-Chip Memory control outputs	$T_{PCKCO\_ISOCM}$	1.53	1.68	ns, max
Instruction-Side On-Chip Memory address bus outputs	$T_{PCKAO\_ISOCM}$	1.75	1.92	ns, max
Instruction-Side On-Chip Memory data bus outputs	$T_{PCKDO\_ISOCM}$	1.55	1.70	ns, max

## IOB Input Switching Characteristics

Input delays associated with the pad are specified for LVCMOS 2.5V levels. For other standards, adjust the delays with the values shown in "IOB Input Switching Characteristics Standard Adjustments," page 10.

Table 19: IOB Input Switching Characteristics

Description	Symbol	Device	Speed Grade		Units
			-6	-5	
<b>Propagation Delays</b>					
Pad to I output, no delay	$T_{IOPI}$	All	0.87	0.91	ns, max
Pad to I output, with delay	$T_{IOPID}$	XQ2VP40	1.94	2.81	ns, max
		XQ2VP70	1.94	2.91	ns, max
<b>Propagation Delays</b>					
Pad to output IQ via transparent latch, no delay	$T_{IOPLI}$	All	0.89	0.93	ns, max
Pad to output IQ via transparent latch, with delay	$T_{IOPLID}$	XQ2VP40	3.63	4.03	ns, max
		XQ2VP70	4.25	4.57	ns, max
Clock CLK to output IQ	$T_{IOCKIQ}$	All	0.60	0.67	ns, max
<b>Setup and Hold Times With Respect to Clock at IOB Input Register</b>					
Pad, no delay	$T_{IOPICK}/T_{IOICKP}$	All	0.86/–0.63	0.90/–0.67	ns, min
Pad, with delay	$T_{IOPICKD}/T_{IOICKPD}$	XQ2VP40	3.61/–2.83	4.01/–3.15	ns, max
		XQ2VP70	4.23/–3.33	4.55/–3.58	ns, max
ICE input	$T_{IOICECK}/T_{IOICKICE}$	All	0.44/ 0.01	0.49/ 0.01	ns, min
SR input (IFF, synchronous)	$T_{IOSRCKI}$	All	0.57	0.75	ns, min
<b>Set/Reset Delays</b>					
SR input to IQ (asynchronous)	$T_{IOSRIQ}$	All	1.27	1.42	ns, max
GSR to output IQ	$T_{GSRQ}$	All	6.75	7.43	ns, max

**Notes:**

- Input timing for LVCMOS25 is measured at 1.25V. For other I/O standards, see [Table 23, page 16](#).

## IOB Input Switching Characteristics Standard Adjustments

Table 20 gives all standard-specific data input delay adjustments.

Table 20: IOB Input Switching Characteristics Standard Adjustments

Description	IOSTANDARD Attribute	Timing Parameter	Speed Grade		Units
			-6	-5	
LVTTTL (Low-Voltage Transistor-Transistor Logic)	LVTTTL	$T_{ILVTTTL}$	0.08	0.09	ns
LVC MOS (Low-Voltage CMOS), 3.3V	LVC MOS33	$T_{ILVCMOS33}$	0.05	0.05	ns
LVC MOS, 2.5V	LVC MOS25	$T_{ILVCMOS25}$	0.00	0.00	ns
LVC MOS, 1.8V	LVC MOS18	$T_{ILVCMOS18}$	0.33	0.36	ns
LVC MOS, 1.5V	LVC MOS15	$T_{ILVCMOS15}$	0.41	0.45	ns
LVDS (Low-Voltage Differential Signaling), 2.5V	LVDS_25	$T_{ILVDS_25}$	0.36	0.40	ns
LVDS EXT (LVDS Extended Mode), 2.5V	LVDS EXT_25	$T_{ILVDS EXT_25}$	0.37	0.41	ns
ULVDS (Ultra LVDS), 2.5V	ULVDS_25	$T_{IULVDS_25}$	0.36	0.40	ns
BLVDS (Bus LVDS), 2.5V	BLVDS_25	$T_{IBLVDS_25}$	0.00	0.00	ns
LDT (HyperTransport), 2.5V	LDT_25	$T_{ILD T_25}$	0.36	0.40	ns
LVPECL (Low-Voltage Positive Electron-Coupled Logic), 2.5V	LVPECL_25	$T_{ILVPECL_25}$	0.80	0.88	ns
PCI (Peripheral Component Interface), 33 MHz, 3.3V	PCI33_3	$T_{IPCI33_3}$	0.16	0.18	ns
PCI, 66 MHz, 3.3V	PCI66_3	$T_{IPCI66_3}$	0.17	0.19	ns
PCI-X, 133 MHz, 3.3V	PCIX	$T_{IPCI X}$	0.13	0.15	ns
GTL (Gunning Transceiver Logic)	GTL	$T_{IGTL}$	0.68	0.74	ns
GTL Plus	G TLP	$T_{IG TLP}$	0.72	0.79	ns
HSTL (High-Speed Transceiver Logic), Class I	HSTL_I	$T_{IHSTL_I}$	0.68	0.75	ns
HSTL, Class II	HSTL_II	$T_{IHSTL_II}$	0.68	0.75	ns
HSTL, Class III	HSTL_III	$T_{IHSTL_III}$	0.66	0.72	ns
HSTL, Class IV	HSTL_IV	$T_{IHSTL_IV}$	0.67	0.74	ns
HSTL, Class I, 1.8V	HSTL_I_18	$T_{IHSTL_I_18}$	0.65	0.72	ns
HSTL, Class II, 1.8V	HSTL_II_18	$T_{IHSTL_II_18}$	0.63	0.69	ns
HSTL, Class III, 1.8V	HSTL_III_18	$T_{IHSTL_III_18}$	0.64	0.70	ns
HSTL, Class IV, 1.8V	HSTL_IV_18	$T_{IHSTL_IV_18}$	0.65	0.71	ns
SSTL (Stub Series Terminated Logic), Class I, 1.8V	SSTL18_I	$T_{ISSTL18_I}$	0.72	0.79	ns
SSTL, Class II, 1.8V	SSTL18_II	$T_{ISSTL18_II}$	0.73	0.81	ns
SSTL, Class I, 2.5V	SSTL2_I	$T_{ISSTL2_I}$	0.72	0.79	ns
SSTL, Class II, 2.5V	SSTL2_II	$T_{ISSTL2_II}$	0.73	0.81	ns
LVDCI (Low-Voltage Digitally Controlled Impedance), 3.3V	LVDCI_33	$T_{ILVDCI_33}$	-0.05	-0.06	ns
LVDCI, 2.5V	LVDCI_25	$T_{ILVDCI_25}$	0.00	0.00	ns
LVDCI, 1.8V	LVDCI_18	$T_{ILVDCI_18}$	0.09	0.09	ns
LVDCI, 1.5V	LVDCI_15	$T_{ILVDCI_15}$	0.15	0.17	ns
LVDCI, 2.5V, Half-Impedance	LVDCI_DV2_25	$T_{ILVDCI_DV2_25}$	0.00	0.00	ns
LVDCI, 1.8V, Half-Impedance	LVDCI_DV2_18	$T_{ILVDCI_DV2_18}$	0.09	0.09	ns
LVDCI, 1.5V, Half-Impedance	LVDCI_DV2_15	$T_{ILVDCI_DV2_15}$	0.15	0.17	ns

**Table 20: IOB Input Switching Characteristics Standard Adjustments (Cont'd)**

Description	IOSTANDARD Attribute	Timing Parameter	Speed Grade		Units
			-6	-5	
HSLVDCI (High-Speed Low-Voltage DCI), 1.5V	HSLVDCI_15	$T_{IHSLVDCI\_15}$	0.68	0.75	ns
HSLVDCI, 1.8V	HSLVDCI_18	$T_{IHSLVDCI\_18}$	0.68	0.75	ns
HSLVDCI, 2.5V	HSLVDCI_25	$T_{IHSLVDCI\_25}$	0.68	0.75	ns
HSLVDCI, 3.3V	HSLVDCI_33	$T_{IHSLVDCI\_33}$	0.68	0.75	ns
GTL (Gunning Transceiver Logic) with DCI	GTL_DCI	$T_{IGTL\_DCI}$	0.57	0.62	ns
GTL Plus with DCI	GTLP_DCI	$T_{IGTLP\_DCI}$	0.31	0.35	ns
HSTL (High-Speed Transceiver Logic), Class I, with DCI	HSTL_I_DCI	$T_{IHSTL\_I\_DCI}$	0.31	0.35	ns
HSTL, Class II, with DCI	HSTL_II_DCI	$T_{IHSTL\_II\_DCI}$	0.31	0.35	ns
HSTL, Class III, with DCI	HSTL_III_DCI	$T_{IHSTL\_III\_DCI}$	0.31	0.35	ns
HSTL, Class IV, with DCI	HSTL_IV_DCI	$T_{IHSTL\_IV\_DCI}$	0.31	0.35	ns
HSTL, Class I, 1.8V, with DCI	HSTL_I_DCI_18	$T_{IHSTL\_I\_DCI\_18}$	0.31	0.35	ns
HSTL, Class II, 1.8V, with DCI	HSTL_II_DCI_18	$T_{IHSTL\_II\_DCI\_18}$	0.31	0.35	ns
HSTL, Class III, 1.8V, with DCI	HSTL_III_DCI_18	$T_{IHSTL\_III\_DCI\_18}$	0.31	0.35	ns
HSTL, Class IV, 1.8V, with DCI	HSTL_IV_DCI_18	$T_{IHSTL\_IV\_DCI\_18}$	0.31	0.35	ns
SSTL (Stub Series Terminated Logic), Class I, 1.8V, with DCI	SSTL18_I_DCI	$T_{ISSTL18\_I\_DCI}$	0.72	0.79	ns
SSTL, Class II, 1.8V, with DCI	SSTL18_II_DCI	$T_{ISSTL18\_II\_DCI}$	0.73	0.81	ns
SSTL, Class I, 2.5V, with DCI	SSTL2_I_DCI	$T_{ISSTL2\_I\_DCI}$	0.20	0.22	ns
SSTL, Class II, 2.5V, with DCI	SSTL2_II_DCI	$T_{ISSTL2\_II\_DCI}$	0.20	0.22	ns
LVDS, 2.5V, with DCI	LVDS_25_DCI	$T_{ILVDS\_25\_DCI}$	0.36	0.40	ns
LVDSEXT, 2.5V, with DCI	LVDSEXT_25_DCI	$T_{ILVDSEXT\_25\_DCI}$	0.37	0.41	ns
LVDS, 2.5V, with Differential Termination (DT)	LVDS_25_DT	$T_{ILVDS\_25\_DT}$	0.36	0.40	ns
LVDSEXT, 2.5V, with DT	LVDSEXT_25_DT	$T_{ILVDSEXT\_25\_DT}$	0.37	0.41	ns
ULVDS, 2.5V, with DT	ULVDS_25_DT	$T_{IULVDS\_25\_DT}$	0.36	0.40	ns
LDT, 2.5V, with DT	LDT_25_DT	$T_{ILD\_25\_DT}$	0.36	0.40	ns



## IOB Output Switching Characteristics

Output delays terminating at a pad are specified for LVCMOS25 with 12 mA drive and fast slew rate. For other standards, adjust the delays with the values shown in "IOB Output Switching Characteristics Standard Adjustments," page 13.

Table 21: IOB Output Switching Characteristics

Description	Symbol	Speed Grade		Units
		-6	-5	
<b>Propagation Delays</b>				
O input to Pad	$T_{IOOP}$	1.68	1.85	ns, max
O input to Pad via transparent latch	$T_{IOOLP}$	1.82	1.99	ns, max
<b>Three-state Delays</b>				
T input to Pad high-impedance <sup>(2)</sup>	$T_{IOTHZ}$	1.35	1.51	ns, max
T input to valid data on Pad	$T_{IOTP}$	1.63	1.78	ns, max
T input to Pad high-impedance via transparent latch <sup>(2)</sup>	$T_{IOTLPHZ}$	1.22	1.36	ns, max
T input to valid data on Pad via transparent latch	$T_{IOTLPON}$	1.69	1.85	ns, max
GTS to Pad high-impedance <sup>(2)</sup>	$T_{GTS}$	4.73	5.20	ns, max
<b>Sequential Delays</b>				
Clock CLK to Pad	$T_{IOCKP}$	1.76	1.93	ns, max
Clock CLK to Pad high-impedance (synchronous) <sup>(2)</sup>	$T_{IOCKHZ}$	1.55	1.73	ns, max
Clock CLK to valid data on Pad (synchronous)	$T_{IOCKON}$	1.82	2.00	ns, max
<b>Setup and Hold Times Before/After Clock CLK</b>				
O input	$T_{IOOCK}/T_{IOCKO}$	0.26/ 0.14	0.29/ 0.15	ns, min
OCE input	$T_{IOOCECK}/T_{IOCKOCE}$	0.44/ 0.01	0.49/ 0.01	ns, min
SR input (OFF)	$T_{IOSRCKO}/T_{IOCKOSR}$	0.57/ 0.00	0.75/ 0.00	ns, min
3-State Setup Times, T input	$T_{IOTCK}/T_{IOCKT}$	0.26/ 0.14	0.29/ 0.15	ns, min
Three-state Setup Times, TCE input	$T_{IOTCECK}/T_{IOCKTCE}$	0.44/ 0.01	0.49/ 0.01	ns, min
Three-state Setup Times, SR input (TFF)	$T_{IOSRCKT}/T_{IOCKTSR}$	0.57/ 0.00	0.75/ 0.00	ns, min
<b>Set/Reset Delays</b>				
Minimum Pulse Width, SR inputs (asynchronous)	$T_{RPW}$	0.40	0.45	ns, min
SR input to Pad (asynchronous)	$T_{IOSRP}$	2.56	2.83	ns, max
SR input to Pad high-impedance (asynchronous) <sup>(2)</sup>	$T_{IOSRHZ}$	2.16	2.41	ns, max
SR input to valid data on Pad (asynchronous)	$T_{IOSRON}$	2.44	2.69	ns, max
GSR to Pad	$T_{IOGSRQ}$	6.75	7.43	ns, max

**Notes:**

1. A Zero "0" Hold Time listing indicates no hold time or a negative hold time. Negative values can not be guaranteed "best-case", but if a "0" is listed, there is no positive hold time.
2. The three-state turn-off delays should not be adjusted.

## IOB Output Switching Characteristics Standard Adjustments

Table 22 gives all standard-specific adjustments for output delays terminating at pads, based on standard capacitive load,  $C_{REF}$ . Output delays terminating at a pad are specified for LVCMOS25 with 12 mA drive and fast slew rate. For other standards, adjust the delays by the values shown.

Table 22: IOB Output Switching Characteristics Standard Adjustments

Description	IOSTANDARD Attribute	Timing Parameter	Speed Grade		Units
			-6	-5	
LVTTL (Low-Voltage Transistor-Transistor Logic), Slow, 2 mA	LVTTL_S2	$T_{OLVTTLS2}$	6.24	6.86	ns
LVTTL, Slow, 4 mA	LVTTL_S4	$T_{OLVTTLS4}$	3.55	3.91	ns
LVTTL, Slow, 6 mA	LVTTL_S6	$T_{OLVTTLS6}$	2.60	2.86	ns
LVTTL, Slow, 8 mA	LVTTL_S8	$T_{OLVTTLS8}$	1.69	1.86	ns
LVTTL, Slow, 12 mA	LVTTL_S12	$T_{OLVTTLS12}$	1.18	1.29	ns
LVTTL, Slow, 16 mA	LVTTL_S16	$T_{OLVTTLS16}$	0.53	0.58	ns
LVTTL, Slow, 24 mA	LVTTL_S24	$T_{OLVTTLS24}$	0.42	0.47	ns
LVTTL, Fast, 2 mA	LVTTL_F2	$T_{OLVTTLF2}$	5.09	5.59	ns
LVTTL, Fast, 4 mA	LVTTL_F4	$T_{OLVTTLF4}$	2.24	2.46	ns
LVTTL, Fast, 6 mA	LVTTL_F6	$T_{OLVTTLF6}$	1.26	1.39	ns
LVTTL, Fast, 8 mA	LVTTL_F8	$T_{OLVTTLF8}$	0.46	0.51	ns
LVTTL, Fast, 12 mA	LVTTL_F12	$T_{OLVTTLF12}$	0.27	0.30	ns
LVTTL, Fast, 16 mA	LVTTL_F16	$T_{OLVTTLF16}$	0.06	0.07	ns
LVTTL, Fast, 24 mA	LVTTL_F24	$T_{OLVTTLF24}$	-0.01	-0.01	ns
LVC MOS (Low-Voltage CMOS), 3.3V, Slow, 2 mA	LVC MOS33_S2	$T_{OLVCMOS33S2}$	6.23	6.86	ns
LVC MOS, 3.3V, Slow, 4 mA	LVC MOS33_S4	$T_{OLVCMOS33S4}$	3.61	3.97	ns
LVC MOS, 3.3V, Slow, 6 mA	LVC MOS33_S6	$T_{OLVCMOS33S6}$	2.60	2.86	ns
LVC MOS, 3.3V, Slow, 8 mA	LVC MOS33_S8	$T_{OLVCMOS33S8}$	1.69	1.86	ns
LVC MOS, 3.3V, Slow, 12 mA	LVC MOS33_S12	$T_{OLVCMOS33S12}$	1.18	1.30	ns
LVC MOS, 3.3V, Slow, 16 mA	LVC MOS33_S16	$T_{OLVCMOS33S16}$	0.52	0.57	ns
LVC MOS, 3.3V, Slow, 24 mA	LVC MOS33_S24	$T_{OLVCMOS33S24}$	0.44	0.49	ns
LVC MOS, 3.3V, Fast, 2 mA	LVC MOS33_F2	$T_{OLVCMOS33F2}$	5.13	5.64	ns
LVC MOS, 3.3V, Fast, 4 mA	LVC MOS33_F4	$T_{OLVCMOS33F4}$	2.25	2.48	ns
LVC MOS, 3.3V, Fast, 6 mA	LVC MOS33_F6	$T_{OLVCMOS33F6}$	1.28	1.40	ns
LVC MOS, 3.3V, Fast, 8 mA	LVC MOS33_F8	$T_{OLVCMOS33F8}$	0.47	0.52	ns
LVC MOS, 3.3V, Fast, 12 mA	LVC MOS33_F12	$T_{OLVCMOS33F12}$	0.26	0.28	ns
LVC MOS, 3.3V, Fast, 16 mA	LVC MOS33_F16	$T_{OLVCMOS33F16}$	0.02	0.03	ns
LVC MOS, 3.3V, Fast, 24 mA	LVC MOS33_F24	$T_{OLVCMOS33F24}$	-0.08	-0.09	ns
LVC MOS, 2.5V, Slow, 2 mA	LVC MOS25_S2	$T_{OLVCMOS25S2}$	4.74	5.21	ns
LVC MOS, 2.5V, Slow, 4 mA	LVC MOS25_S4	$T_{OLVCMOS25S4}$	2.80	3.07	ns
LVC MOS, 2.5V, Slow, 6 mA	LVC MOS25_S6	$T_{OLVCMOS25S6}$	2.02	2.22	ns
LVC MOS, 2.5V, Slow, 8 mA	LVC MOS25_S8	$T_{OLVCMOS25S8}$	1.19	1.31	ns
LVC MOS, 2.5V, Slow, 12 mA	LVC MOS25_S12	$T_{OLVCMOS25S12}$	0.87	0.96	ns
LVC MOS, 2.5V, Slow, 16 mA	LVC MOS25_S16	$T_{OLVCMOS25S16}$	0.47	0.52	ns
LVC MOS, 2.5V, Slow, 24 mA	LVC MOS25_S24	$T_{OLVCMOS25S24}$	0.26	0.28	ns
LVC MOS, 2.5V, Fast, 2 mA	LVC MOS25_F2	$T_{OLVCMOS25F2}$	3.78	4.16	ns

**Table 22: IOB Output Switching Characteristics Standard Adjustments (Cont'd)**

Description	IOSTANDARD Attribute	Timing Parameter	Speed Grade		Units
			-6	-5	
LVC MOS, 2.5V, Fast, 4 mA	LVC MOS25_F4	T <sub>OLVCMOS25_F4</sub>	1.50	1.65	ns
LVC MOS, 2.5V, Fast, 6 mA	LVC MOS25_F6	T <sub>OLVCMOS25_F6</sub>	0.71	0.78	ns
LVC MOS, 2.5V, Fast, 8 mA	LVC MOS25_F8	T <sub>OLVCMOS25_F8</sub>	0.23	0.25	ns
LVC MOS, 2.5V, Fast, 12 mA	LVC MOS25_F12	T <sub>OLVCMOS25_F12</sub>	0.00	0.00	ns
LVC MOS, 2.5V, Fast, 16 mA	LVC MOS25_F16	T <sub>OLVCMOS25_F16</sub>	-0.03	-0.04	ns
LVC MOS, 2.5V, Fast, 24 mA	LVC MOS25_F24	T <sub>OLVCMOS25_F24</sub>	-0.15	-0.15	ns
LVC MOS, 1.8V, Slow, 2 mA	LVC MOS18_S2	T <sub>OLVCMOS18_S2</sub>	4.83	5.31	ns
LVC MOS, 1.8V, Slow, 4 mA	LVC MOS18_S4	T <sub>OLVCMOS18_S4</sub>	3.18	3.49	ns
LVC MOS, 1.8V, Slow, 6 mA	LVC MOS18_S6	T <sub>OLVCMOS18_S6</sub>	2.20	2.41	ns
LVC MOS, 1.8V, Slow, 8 mA	LVC MOS18_S8	T <sub>OLVCMOS18_S8</sub>	2.20	2.42	ns
LVC MOS, 1.8V, Slow, 12 mA	LVC MOS18_S12	T <sub>OLVCMOS18_S12</sub>	1.81	1.99	ns
LVC MOS, 1.8V, Slow, 16 mA	LVC MOS18_S16	T <sub>OLVCMOS18_S16</sub>	0.87	0.96	ns
LVC MOS, 1.8V, Fast, 2 mA	LVC MOS18_F2	T <sub>OLVCMOS18_F2</sub>	2.69	2.95	ns
LVC MOS, 1.8V, Fast, 4 mA	LVC MOS18_F4	T <sub>OLVCMOS18_F4</sub>	0.81	0.89	ns
LVC MOS, 1.8V, Fast, 6 mA	LVC MOS18_F6	T <sub>OLVCMOS18_F6</sub>	0.57	0.63	ns
LVC MOS, 1.8V, Fast, 8 mA	LVC MOS18_F8	T <sub>OLVCMOS18_F8</sub>	0.55	0.61	ns
LVC MOS, 1.8V, Fast, 12 mA	LVC MOS18_F12	T <sub>OLVCMOS18_F12</sub>	0.34	0.38	ns
LVC MOS, 1.8V, Fast, 16 mA	LVC MOS18_F16	T <sub>OLVCMOS18_F16</sub>	0.12	0.13	ns
LVC MOS, 1.5V, Slow, 2 mA	LVC MOS15_S2	T <sub>OLVCMOS15_S2</sub>	7.12	7.83	ns
LVC MOS, 1.5V, Slow, 4 mA	LVC MOS15_S4	T <sub>OLVCMOS15_S4</sub>	4.93	5.42	ns
LVC MOS, 1.5V, Slow, 6 mA	LVC MOS15_S6	T <sub>OLVCMOS15_S6</sub>	3.24	3.56	ns
LVC MOS, 1.5V, Slow, 8 mA	LVC MOS15_S8	T <sub>OLVCMOS15_S8</sub>	2.93	3.23	ns
LVC MOS, 1.5V, Slow, 12 mA	LVC MOS15_S12	T <sub>OLVCMOS15_S12</sub>	1.51	1.66	ns
LVC MOS, 1.5V, Slow, 16 mA	LVC MOS15_S16	T <sub>OLVCMOS15_S16</sub>	1.47	1.62	ns
LVC MOS, 1.5V, Fast, 2 mA	LVC MOS15_F2	T <sub>OLVCMOS15_F2</sub>	2.60	2.86	ns
LVC MOS, 1.5V, Fast, 4 mA	LVC MOS15_F4	T <sub>OLVCMOS15_F4</sub>	1.90	2.09	ns
LVC MOS, 1.5V, Fast, 6 mA	LVC MOS15_F6	T <sub>OLVCMOS15_F6</sub>	0.75	0.82	ns
LVC MOS, 1.5V, Fast, 8 mA	LVC MOS15_F8	T <sub>OLVCMOS15_F8</sub>	1.08	1.19	ns
LVC MOS, 1.5V, Fast, 12 mA	LVC MOS15_F12	T <sub>OLVCMOS15_F12</sub>	0.29	0.32	ns
LVC MOS, 1.5V, Fast, 16 mA	LVC MOS15_F16	T <sub>OLVCMOS15_F16</sub>	0.32	0.35	ns
LVDS (Low-Voltage Differential Signaling), 2.5V	LVDS_25	T <sub>OLVDS_25</sub>	0.01	0.01	ns
LVDSEXT (LVDS Extended Mode), 2.5V	LVDSEXT_25	T <sub>OLVDSEXT_25</sub>	0.15	0.16	ns
ULVDS (Ultra LVDS), 2.5V	ULVDS_25	T <sub>OULVDS_25</sub>	0.14	0.16	ns
BLVDS (Bus LVDS), 2.5V	BLVDS_25	T <sub>OBLVDS_25</sub>	0.00	0.00	ns
LDT (HyperTransport), 2.5V	LDT_25	T <sub>OLDT_25</sub>	0.14	0.16	ns
LVPECL (Low-Voltage Positive Electron-Coupled Logic), 2.5V	LVPECL_25	T <sub>OLVPECL_25</sub>	0.19	0.21	ns
PCI (Peripheral Component Interface), 33 MHz, 3.3V	PCI33_3	T <sub>OPCI33_3</sub>	0.93	1.01	ns
PCI, 66 MHz, 3.3V	PCI66_3	T <sub>OPCI66_3</sub>	0.97	1.05	ns
PCI-X, 133 MHz, 3.3V	PCIX	T <sub>OPCIX</sub>	1.02	1.10	ns
GTL (Gunning Transceiver Logic)	GTL	T <sub>OGTL</sub>	0.10	0.11	ns

**Table 22: IOB Output Switching Characteristics Standard Adjustments (Cont'd)**

Description	IOSTANDARD Attribute	Timing Parameter	Speed Grade		Units
			-6	-5	
GTL Plus	GTL_P	T <sub>OGTL_P</sub>	0.05	0.06	ns
HSTL (High-Speed Transceiver Logic), Class I	HSTL_I	T <sub>OHSTL_I</sub>	0.64	0.70	ns
HSTL, Class II	HSTL_II	T <sub>OHSTL_II</sub>	0.35	0.38	ns
HSTL, Class III	HSTL_III	T <sub>OHSTL_III</sub>	0.17	0.39	ns
HSTL, Class IV	HSTL_IV	T <sub>OHSTL_IV</sub>	0.17	0.19	ns
HSTL, Class I, 1.8V	HSTL_I_18	T <sub>OHSTL_I_18</sub>	0.64	0.70	ns
HSTL, Class II, 1.8V	HSTL_II_18	T <sub>OHSTL_II_18</sub>	0.35	0.38	ns
HSTL, Class III, 1.8V	HSTL_III_18	T <sub>OHSTL_III_18</sub>	0.41	0.45	ns
HSTL, Class IV, 1.8V	HSTL_IV_18	T <sub>OHSTL_IV_18</sub>	0.22	0.24	ns
SSTL (Stub Series Terminated Logic), Class I, 1.8V	SSTL18_I	T <sub>OSSTL18_I</sub>	0.92	1.01	ns
SSTL, Class II, 1.8V	SSTL18_II	T <sub>OSSTL18_II</sub>	0.51	0.56	ns
SSTL, Class I, 2.5V	SSTL2_I	T <sub>OSSTL2_I</sub>	0.72	0.79	ns
SSTL, Class II, 2.5V	SSTL2_II	T <sub>OSSTL2_II</sub>	0.25	0.27	ns
LVDCI (Low-Voltage Digitally Controlled Impedance), 3.3V	LVDCI_33	T <sub>OLVDCI_33</sub>	0.83	0.91	ns
LVDCI, 2.5V	LVDCI_25	T <sub>OLVDCI_25</sub>	0.64	0.71	ns
LVDCI, 1.8V	LVDCI_18	T <sub>OLVDCI_18</sub>	0.75	0.82	ns
LVDCI, 1.5V	LVDCI_15	T <sub>OLVDCI_15</sub>	1.15	1.26	ns
LVDCI, 2.5V, Half-Impedance	LVDCI_DV2_25	T <sub>OLVDCI_DV2_25</sub>	0.07	0.08	ns
LVDCI, 1.8V, Half-Impedance	LVDCI_DV2_18	T <sub>OLVDCI_DV2_18</sub>	0.34	0.38	ns
LVDCI, 1.5V, Half-Impedance	LVDCI_DV2_15	T <sub>OLVDCI_DV2_15</sub>	0.69	0.76	ns
HSLVDCI (High-Speed Low-Voltage DCI), 1.5V	HSLVDCI_15	T <sub>OHSLVDCI_15</sub>	1.15	1.26	ns
HSLVDCI, 1.8V	HSLVDCI_18	T <sub>OHSLVDCI_18</sub>	0.75	0.82	ns
HSLVDCI, 2.5V	HSLVDCI_25	T <sub>OHSLVDCI_25</sub>	0.64	0.71	ns
HSLVDCI, 3.3V	HSLVDCI_33	T <sub>OHSLVDCI_33</sub>	0.83	0.91	ns
GTL (Gunning Transceiver Logic) with DCI	GTL_DCI	T <sub>OGTL_DCI</sub>	1.39	1.53	ns
GTL Plus with DCI	GTL_P_DCI	T <sub>OGTL_P_DCI</sub>	0.06	0.07	ns
HSTL (High-Speed Transceiver Logic), Class I, with DCI	HSTL_I_DCI	T <sub>OHSTL_I_DCI</sub>	0.63	0.69	ns
HSTL, Class II, with DCI	HSTL_II_DCI	T <sub>OHSTL_II_DCI</sub>	0.54	0.60	ns
HSTL, Class III, with DCI	HSTL_III_DCI	T <sub>OHSTL_III_DCI</sub>	0.36	0.40	ns
HSTL, Class IV, with DCI	HSTL_IV_DCI	T <sub>OHSTL_IV_DCI</sub>	2.08	2.29	ns
HSTL, Class I, 1.8V, with DCI	HSTL_I_DCI_18	T <sub>OHSTL_I_DCI_18</sub>	0.63	0.70	ns
HSTL, Class II, 1.8V, with DCI	HSTL_II_DCI_18	T <sub>OHSTL_II_DCI_18</sub>	0.28	0.31	ns
HSTL, Class III, 1.8V, with DCI	HSTL_III_DCI_18	T <sub>OHSTL_III_DCI_18</sub>	0.40	0.44	ns
HSTL, Class IV, 1.8V, with DCI	HSTL_IV_DCI_18	T <sub>OHSTL_IV_DCI_18</sub>	1.70	1.87	ns
SSTL (Stub Series Terminated Logic), Class I, 1.8V, with DCI	SSTL18_I_DCI	T <sub>OSSTL18_I_DCI</sub>	0.62	0.68	ns
SSTL, Class II, 1.8V, with DCI	SSTL18_II_DCI	T <sub>OSSTL18_II_DCI</sub>	0.28	0.31	ns
SSTL, Class I, 2.5V, with DCI	SSTL2_I_DCI	T <sub>OSSTL2_I_DCI</sub>	0.56	0.61	ns
SSTL, Class II, 2.5V, with DCI	SSTL2_II_DCI	T <sub>OSSTL2_II_DCI</sub>	0.56	0.61	ns

## I/O Standard Adjustment Measurement Methodology

### Input Delay Measurements

Table 23 shows the test setup parameters used for measuring Input standard adjustments (see Table 20, page 10).

Table 23: Input Delay Measurement Methodology

Description	IOSTANDARD Attribute	$V_L^{(1,2)}$	$V_H^{(1,2)}$	$V_{MEAS}^{(1,4,5)}$	$V_{REF}^{(1,3,5)}$
LVTTTL (Low-Voltage Transistor-Transistor Logic)	LVTTTL	0	3.3	1.65	–
LVC MOS (Low-Voltage CMOS), 3.3V	LVC MOS33	0	3.3	1.65	–
LVC MOS, 2.5V	LVC MOS25	0	2.5	1.25	–
LVC MOS, 1.8V	LVC MOS18	0	1.8	0.9	–
LVC MOS, 1.5V	LVC MOS15	0	1.5	0.75	–
PCI (Peripheral Component Interface), 33 MHz, 3.3V	PCI33_3	Per PCI Specification			–
PCI, 66 MHz, 3.3V	PCI66_3	Per PCI Specification			–
PCI-X, 133 MHz, 3.3V	PCIX	Per PCI-X Specification			–
GTL (Gunning Transceiver Logic)	GTL	$V_{REF} - 0.2$	$V_{REF} + 0.2$	$V_{REF}$	0.80
GTL Plus	GTLP	$V_{REF} - 0.2$	$V_{REF} + 0.2$	$V_{REF}$	1.0
HSTL (High-Speed Transceiver Logic), Class I & II	HSTL_I, HSTL_II	$V_{REF} - 0.5$	$V_{REF} + 0.5$	$V_{REF}$	0.75
HSTL, Class III & IV	HSTL_III, HSTL_IV	$V_{REF} - 0.5$	$V_{REF} + 0.5$	$V_{REF}$	0.90
HSTL, Class I & II, 1.8V	HSTL_I_18, HSTL_II_18	$V_{REF} - 0.5$	$V_{REF} + 0.5$	$V_{REF}$	0.90
HSTL, Class III & IV, 1.8V	HSTL_III_18, HSTL_IV_18	$V_{REF} - 0.5$	$V_{REF} + 0.5$	$V_{REF}$	1.08
SSTL (Stub Terminated Trnscvr Logic), Class I & II, 2.5V	SSTL2_I, SSTL2_II	$V_{REF} - 0.75$	$V_{REF} + 0.75$	$V_{REF}$	1.25
SSTL, Class I & II, 1.8V	SSTL18_I, SSTL18_II	$V_{REF} - 0.5$	$V_{REF} + 0.5$	$V_{REF}$	0.9
LVDS (Low-Voltage Differential Signaling), 2.5V	LVDS_25	$1.2 - 0.125$	$1.2 + 0.125$	1.2	
LVDS EXT (LVDS Extended Mode), 2.5V	LVDS EXT_25	$1.2 - 0.125$	$1.2 + 0.125$	1.2	
ULVDS (Ultra LVDS), 2.5V	ULVDS_25	$0.6 - 0.125$	$0.6 + 0.125$	0.6	
LDT (HyperTransport), 2.5V	LDT_25	$0.6 - 0.125$	$0.6 + 0.125$	0.6	
LVPECL (Low-Voltage Positive Electron-Coupled Logic), 2.5V	LVPECL_25	$1.15 - 0.3$	$1.15 + 0.3$	1.15	

#### Notes:

1. Input delay measurement methodology parameters for LVDCI and HSLVDCI are the same as for LVC MOS standards of the same voltage. Parameters for all other DCI standards are the same as for the corresponding non-DCI standards.
2. Input waveform switches between  $V_L$  and  $V_H$ .
3. Measurements are made at typical, minimum, and maximum  $V_{REF}$  values. Reported delays reflect worst case of these measurements.  $V_{REF}$  values listed are typical. See *Virtex-II Pro Platform FPGA User Guide* for min/max specifications.
4. Input voltage level from which measurement starts.
5. Note that this is an input voltage reference that bears no relation to the  $V_{REF} / V_{MEAS}$  parameters found in IBIS models and/or noted in Figure 1, page 17.

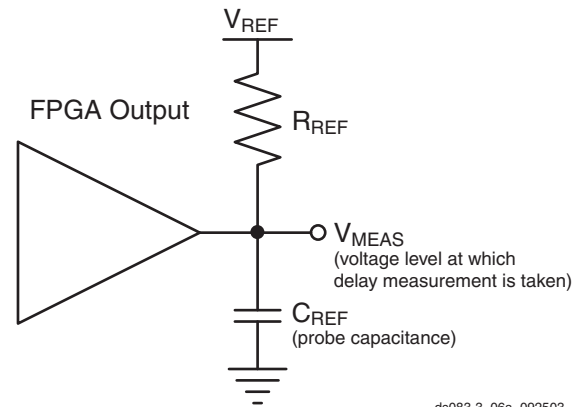
### Output Delay Measurements

Output delays are measured using a Tektronix P6245 TDS500/600 probe (< 1 pF) across approximately 4" of FR4 microstrip trace. Standard termination was used for all testing. (See *Virtex-II Pro Platform FPGA User Guide* for details.) The propagation delay of the 4" trace is characterized separately and subtracted from the final measurement, and is therefore not included in the generalized test setup shown in [Figure 1](#).

Measurements and test conditions are reflected in the IBIS models except where the IBIS format precludes it. (IBIS models can be found on the web at [http://support.xilinx.com/support/sw\\_ibis.htm](http://support.xilinx.com/support/sw_ibis.htm).) Parameters  $V_{REF}$ ,  $R_{REF}$ ,  $C_{REF}$ , and  $V_{MEAS}$  fully describe the test conditions for each I/O standard. The most accurate prediction of propagation delay in any given application can be obtained through IBIS simulation, using the following method:

1. Simulate the output driver of choice into the generalized test setup, using values from [Table 24](#).
2. Record the time to  $V_{MEAS}$ .

3. Simulate the output driver of choice into the actual PCB trace and load, using the appropriate IBIS model or capacitance value to represent the load.
4. Record the time to  $V_{MEAS}$ .
5. Compare the results of steps 2 and 4. The increase or decrease in delay should be added to or subtracted from the I/O Output Standard Adjustment value ([Table 22, page 13](#)) to yield the actual worst-case propagation delay (clock-to-input) of the PCB trace.



ds083-3\_06a\_092503

Figure 1: Generalized Test Setup

Table 24: Output Delay Measurement Methodology

Description	IOSTANDARD Attribute	$R_{REF}$ ( $\Omega$ )	$C_{REF}^{(1)}$ (pF)	$V_{MEAS}$ (V)	$V_{REF}$ (V)
LVTTTL (Low-Voltage Transistor-Transistor Logic)	LVTTTL (all)	1M	0	1.65	0
LVC MOS (Low-Voltage CMOS), 3.3V	LVC MOS33	1M	0	1.65	0
LVC MOS, 2.5V	LVC MOS25	1M	0	1.25	0
LVC MOS, 1.8V	LVC MOS18	1M	0	0.9	0
LVC MOS, 1.5V	LVC MOS15	1M	0	0.75	0
PCI (Peripheral Component Interface), 33 MHz, 3.3V	PCI33_3 (rising edge)	25	10 <sup>(2)</sup>	0.94	0
	PCI33_3 (falling edge)	25	10 <sup>(2)</sup>	2.03	3.3
PCI, 66 MHz, 3.3V	PCI66_3 (rising edge)	25	10 <sup>(2)</sup>	0.94	0
	PCI66_3 (falling edge)	25	10 <sup>(2)</sup>	2.03	3.3
PCI-X, 133 MHz, 3.3V	PCIX (rising edge)	25	10 <sup>(3)</sup>	0.94	0
	PCIX (falling edge)	25	10 <sup>(3)</sup>	2.03	3.3
GTL (Gunning Transceiver Logic)	GTL	25	0	0.8	1.2
GTL Plus	GTLP	25	0	1.0	1.5
HSTL (High-Speed Transceiver Logic), Class I	HSTL_I	50	0	$V_{REF}$	0.75
HSTL, Class II	HSTL_II	25	0	$V_{REF}$	0.75
HSTL, Class III	HSTL_III	50	0	0.9	1.5
HSTL, Class IV	HSTL_IV	25	0	0.9	1.5
HSTL, Class I, 1.8V	HSTL_I_18	50	0	$V_{REF}$	0.9
HSTL, Class II, 1.8V	HSTL_II_18	25	0	$V_{REF}$	0.9
HSTL, Class III, 1.8V	HSTL_III_18	50	0	1.1	1.8

**Table 24: Output Delay Measurement Methodology (Cont'd)**

Description	IOSTANDARD Attribute	R <sub>REF</sub> (Ω)	C <sub>REF</sub> <sup>(1)</sup> (pF)	V <sub>MEAS</sub> (V)	V <sub>REF</sub> (V)
HSTL, Class IV, 1.8V	HSTL_IV_18	25	0	1.1	1.8
SSTL (Stub Series Terminated Logic), Class I, 1.8V	SSTL18_I	50	0	V <sub>REF</sub>	0.9
SSTL, Class II, 1.8V	SSTL18_II	25	0	V <sub>REF</sub>	0.9
SSTL, Class I, 2.5V	SSTL2_I	50	0	V <sub>REF</sub>	1.25
SSTL, Class II, 2.5V	SSTL2_II	25	0	V <sub>REF</sub>	1.25
LVDS (Low-Voltage Differential Signaling), 2.5V	LVDS_25	50	0	V <sub>REF</sub>	1.2
LVDS (Low-Voltage Differential Signaling), 2.5V	LVDS_25	50	0	V <sub>REF</sub>	1.2
LVDS (Low-Voltage Differential Signaling), 2.5V	LVDS_25	50	0	V <sub>REF</sub>	1.2
BLVDS (Bus LVDS), 2.5V	BLVDS_25	1M	0	1.2	0
LDT (HyperTransport), 2.5V	LDT_25	50	0	V <sub>REF</sub>	0.6
LVPECL (Low-Voltage Positive Electron-Coupled Logic), 2.5V	LVPECL_25	1M	0	1.23	0
LVDCI/HSLVDCI (Low-Voltage Digitally Controlled Impedance), 3.3V	LVDCI_33	1M	0	1.65	0
LVDCI/HSLVDCI, 2.5V	LVDCI_25	1M	0	1.25	0
LVDCI/HSLVDCI, 1.8V	LVDCI_18	1M	0	0.9	0
LVDCI/HSLVDCI, 1.5V	LVDCI_15	1M	0	0.75	0
HSTL (High-Speed Transceiver Logic), Class I & II, with DCI	HSTL_I_DCI, HSTL_II_DCI	50	0	V <sub>REF</sub>	0.75
HSTL, Class III & IV, with DCI	HSTL_III_DCI, HSTL_IV_DCI	50	0	0.9	1.5
HSTL, Class I & II, 1.8V, with DCI	HSTL_I_DCI_18, HSTL_II_DCI_18	50	0	V <sub>REF</sub>	0.9
HSTL, Class III & IV, 1.8V, with DCI	HSTL_III_DCI_18, HSTL_IV_DCI_18	50	0	1.1	1.8
SSTL (Stub Series Termini.Logic), Class I & II, 1.8V, with DCI	SSTL18_I_DCI, SSTL18_II_DCI	50	0	V <sub>REF</sub>	0.9
SSTL, Class I & II, 2.5V, with DCI	SSTL2_I_DCI, SSTL2_II_DCI	50	0	V <sub>REF</sub>	1.25
GTL (Gunning Transceiver Logic) with DCI	GTL_DCI	50	0	0.8	1.2
GTL Plus with DCI	GTLP_DCI	50	0	1.0	1.5

**Notes:**

1. C<sub>REF</sub> is the capacitance of the probe, nominally 0 pF.
2. Measured as per PCI specification.
3. Measured as per PCI-X specification.

## Clock Distribution Switching Characteristics

**Table 25: Clock Distribution Switching Characteristics**

Description	Symbol	Speed Grade		Units
		-6	-5	
Global Clock Buffer I input to O output	$T_{GIO}$	0.057	0.064	ns, max
Global Clock Buffer S input Setup/Hold to I1 and I2 inputs	$T_{GSI}/T_{GIS}$	0.54/-0.12	0.60/-0.13	ns, max

## CLB Switching Characteristics

Delays originating at F/G inputs vary slightly according to the input used (see [Figure 22](#) in [Functional Description \(Module 2\)](#)). The values listed below are worst-case. Precise values are provided by the timing analyzer.

**Table 26: CLB Switching Characteristics**

Description	Symbol	Speed Grade		Units
		-6	-5	
<b>Combinatorial Delays</b>				
4-input function: F/G inputs to X/Y outputs	$T_{ILO}$	0.32	0.36	ns, max
5-input function: F/G inputs to F5 output	$T_{IF5}$	0.65	0.73	ns, max
5-input function: F/G inputs to X output	$T_{IF5X}$	0.70	0.79	ns, max
FXINA or FXINB inputs to Y output via MUXFX	$T_{IFXY}$	0.32	0.36	ns, max
FXINA input to FX output via MUXFX	$T_{INAFX}$	0.32	0.36	ns, max
FXINB input to FX output via MUXFX	$T_{INBFX}$	0.32	0.36	ns, max
SOPIN input to SOPOUT output via ORCY	$T_{SOPSOP}$	0.13	0.14	ns, max
Incremental delay routing through transparent latch to XQ/YQ outputs	$T_{IFNCTL}$	0.24	0.27	ns, max
<b>Sequential Delays</b>				
FF Clock CLK to XQ/YQ outputs	$T_{CKO}$	0.38	0.42	ns, max
Latch Clock CLK to XQ/YQ outputs	$T_{CKLO}$	0.57	0.64	ns, max
<b>Setup and Hold Times Before/After Clock CLK</b>				
BX/BY inputs	$T_{DICK}/T_{CKDI}$	0.24/-0.05	0.27/-0.06	ns, min
DY inputs	$T_{DYCK}/T_{CKDY}$	0.00/ 0.14	0.00/ 0.15	ns, min
DX inputs	$T_{DXCK}/T_{CKDX}$	0.00/ 0.14	0.00/ 0.15	ns, min
CE input	$T_{CECK}/T_{CKCE}$	0.34/ 0.01	0.47/ 0.01	ns, min
SR/BY inputs (synchronous)	$T_{RCK}/T_{CKR}$	0.60/-0.01	0.78/-0.01	ns, min
<b>Clock CLK</b>				
Minimum Pulse Width, High	$T_{CH}$	0.40	0.45	ns, min
Minimum Pulse Width, Low	$T_{CL}$	0.40	0.45	ns, min
<b>Set/Reset</b>				
Minimum Pulse Width, SR/BY inputs (asynchronous)	$T_{RPW}$	0.40	0.45	ns, min
Delay from SR/BY inputs to XQ/YQ outputs (asynchronous)	$T_{RQ}$	1.25	1.40	ns, max
Toggle Frequency (for export control)	$F_{TOG}$	1200	1050	MHz

**Notes:**

1. A Zero "0" Hold Time listing indicates no hold time or a negative hold time. Negative values can not be guaranteed "best-case", but if a "0" is listed, there is no positive hold time.



## CLB Distributed RAM Switching Characteristics

Table 27: CLB Distributed RAM Switching Characteristics

Description	Symbol	Speed Grade		Units
		-6	-5	
<b>Sequential Delays</b>				
Clock CLK to X/Y outputs (WE active) in 16 x 1 mode	$T_{SHCKO16}$	1.38	1.54	ns, max
Clock CLK to X/Y outputs (WE active) in 32 x 1 mode	$T_{SHCKO32}$	1.75	1.95	ns, max
Clock CLK to F5 output	$T_{SHCKOF5}$	1.68	1.88	ns, max
<b>Setup and Hold Times Before/After Clock CLK</b>				
BX/BY data inputs (DIN)	$T_{DS}/T_{DH}$	0.41/–0.07	0.46/–0.08	ns, min
F/G address inputs	$T_{AS}/T_{AH}$	0.47/ 0.00	0.52/ 0.00	ns, min
SR input	$T_{WES}/T_{WEH}$	0.24/ 0.05	0.26/ 0.05	ns, min
<b>Clock CLK</b>				
Minimum Pulse Width, High	$T_{WPH}$	0.72	0.79	ns, min
Minimum Pulse Width, Low	$T_{WPL}$	0.72	0.79	ns, min
Minimum clock period to meet address write cycle time	$T_{WC}$	1.44	1.58	ns, min

**Notes:**

1. A Zero “0” Hold Time listing indicates no hold time or a negative hold time. Negative values cannot be guaranteed “best-case”, but if a “0” is listed, there is no positive hold time.

## CLB Shift Register Switching Characteristics

Table 28: CLB Shift Register Switching Characteristics

Description	Symbol	Speed Grade		Units
		-6	-5	
<b>Sequential Delays</b>				
Clock CLK to X/Y outputs	$T_{REG}$	3.12	3.49	ns, max
Clock CLK to X/Y outputs	$T_{REG32}$	3.49	3.90	ns, max
Clock CLK to XB output via MC15 LUT output	$T_{REGXB}$	3.18	3.55	ns, max
Clock CLK to YB output via MC15 LUT output	$T_{REGYB}$	2.88	3.21	ns, max
Clock CLK to Shiftout	$T_{CKSH}$	2.83	3.15	ns, max
Clock CLK to F5 output	$T_{REGF5}$	3.42	3.83	ns, max
<b>Setup and Hold Times Before/After Clock CLK</b>				
BX/BY data inputs (DIN)	$T_{SRLDS}/T_{SRLDH}$	0.77/–0.18	0.98/–0.21	ns, min
SR input	$T_{WSS}/T_{WSH}$	0.34/ 0.01	0.47/ 0.01	ns, min
<b>Clock CLK</b>				
Minimum Pulse Width, High	$T_{SRPH}$	0.72	0.79	ns, min
Minimum Pulse Width, Low	$T_{SRPL}$	0.72	0.79	ns, min

**Notes:**

1. A Zero “0” Hold Time listing indicates no hold time or a negative hold time. Negative values cannot be guaranteed “best-case”, but if a “0” is listed, there is no positive hold time.

## Multiplier Switching Characteristics

Table 29: Multiplier Switching Characteristics

Description	Symbol	Speed Grade		Units
		-6	-5	
<b>Propagation Delay to Output Pin</b>				
Input to Pin35	$T_{MULT\_P35}$	4.64	5.19	ns, max
Input to Pin34	$T_{MULT\_P34}$	4.55	5.09	ns, max
Input to Pin33	$T_{MULT\_P33}$	4.45	4.99	ns, max
Input to Pin32	$T_{MULT\_P32}$	4.36	4.88	ns, max
Input to Pin31	$T_{MULT\_P31}$	4.27	4.78	ns, max
Input to Pin30	$T_{MULT\_P30}$	4.17	4.67	ns, max
Input to Pin29	$T_{MULT\_P29}$	4.08	4.57	ns, max
Input to Pin28	$T_{MULT\_P28}$	3.99	4.46	ns, max
Input to Pin27	$T_{MULT\_P27}$	3.89	4.36	ns, max
Input to Pin26	$T_{MULT\_P26}$	3.80	4.26	ns, max
Input to Pin25	$T_{MULT\_P25}$	3.71	4.15	ns, max
Input to Pin24	$T_{MULT\_P24}$	3.61	4.05	ns, max
Input to Pin23	$T_{MULT\_P23}$	3.52	3.94	ns, max
Input to Pin22	$T_{MULT\_P22}$	3.43	3.84	ns, max
Input to Pin21	$T_{MULT\_P21}$	3.34	3.73	ns, max
Input to Pin20	$T_{MULT\_P20}$	3.24	3.63	ns, max
Input to Pin19	$T_{MULT\_P19}$	3.15	3.53	ns, max
Input to Pin18	$T_{MULT\_P18}$	3.06	3.42	ns, max
Input to Pin17	$T_{MULT\_P17}$	2.96	3.32	ns, max
Input to Pin16	$T_{MULT\_P16}$	2.86	3.21	ns, max
Input to Pin15	$T_{MULT\_P15}$	2.76	3.09	ns, max
Input to Pin14	$T_{MULT\_P14}$	2.67	2.98	ns, max
Input to Pin13	$T_{MULT\_P13}$	2.57	2.87	ns, max
Input to Pin12	$T_{MULT\_P12}$	2.47	2.76	ns, max
Input to Pin11	$T_{MULT\_P11}$	2.37	2.65	ns, max
Input to Pin10	$T_{MULT\_P10}$	2.27	2.54	ns, max
Input to Pin9	$T_{MULT\_P9}$	2.17	2.43	ns, max
Input to Pin8	$T_{MULT\_P8}$	2.07	2.32	ns, max
Input to Pin7	$T_{MULT\_P7}$	1.97	2.21	ns, max
Input to Pin6	$T_{MULT\_P6}$	1.87	2.09	ns, max
Input to Pin5	$T_{MULT\_P5}$	1.77	1.98	ns, max
Input to Pin4	$T_{MULT\_P4}$	1.67	1.87	ns, max
Input to Pin3	$T_{MULT\_P3}$	1.57	1.76	ns, max
Input to Pin2	$T_{MULT\_P2}$	1.47	1.65	ns, max
Input to Pin1	$T_{MULT\_P1}$	1.37	1.54	ns, max
Input to Pin0	$T_{MULT\_P0}$	1.27	1.43	ns, max

**Table 30: Pipelined Multiplier Switching Characteristics**

Description	Symbol	Speed Grade		Units
		-6	-5	
<b>Setup and Hold Times Before/After Clock</b>				
Data Inputs	$T_{MULIDCK}/T_{MULCKID}$	2.06/ 0.00	2.31/ 0.00	ns, max
Clock Enable	$T_{MULIDCK\_CE}/T_{MULCKID\_CE}$	0.25/ 0.00	0.28/ 0.00	ns, max
Reset	$T_{MULIDCK\_RST}/T_{MULCKID\_RST}$	0.24/-0.09	0.26/-0.10	ns, max
<b>Clock to Output Pin</b>				
Clock to Pin35	$T_{MULTCK\_P35}$	2.92	3.27	ns, max
Clock to Pin34	$T_{MULTCK\_P34}$	2.82	3.16	ns, max
Clock to Pin33	$T_{MULTCK\_P33}$	2.72	3.05	ns, max
Clock to Pin32	$T_{MULTCK\_P32}$	2.62	2.93	ns, max
Clock to Pin31	$T_{MULTCK\_P31}$	2.52	2.82	ns, max
Clock to Pin30	$T_{MULTCK\_P30}$	2.42	2.71	ns, max
Clock to Pin29	$T_{MULTCK\_P29}$	2.32	2.60	ns, max
Clock to Pin28	$T_{MULTCK\_P28}$	2.22	2.48	ns, max
Clock to Pin27	$T_{MULTCK\_P27}$	2.12	2.37	ns, max
Clock to Pin26	$T_{MULTCK\_P26}$	2.02	2.26	ns, max
Clock to Pin25	$T_{MULTCK\_P25}$	1.92	2.15	ns, max
Clock to Pin24	$T_{MULTCK\_P24}$	1.82	2.03	ns, max
Clock to Pin23	$T_{MULTCK\_P23}$	1.71	1.92	ns, max
Clock to Pin22	$T_{MULTCK\_P22}$	1.61	1.81	ns, max
Clock to Pin21	$T_{MULTCK\_P21}$	1.51	1.69	ns, max
Clock to Pin20	$T_{MULTCK\_P20}$	1.41	1.58	ns, max
Clock to Pin19	$T_{MULTCK\_P19}$	1.31	1.47	ns, max
Clock to Pin18	$T_{MULTCK\_P18}$	1.21	1.36	ns, max
Clock to Pin17	$T_{MULTCK\_P17}$	1.11	1.24	ns, max
Clock to Pin16	$T_{MULTCK\_P16}$	1.01	1.13	ns, max
Clock to Pin15	$T_{MULTCK\_P15}$	0.91	1.02	ns, max
Clock to Pin14	$T_{MULTCK\_P14}$	0.81	0.91	ns, max
Clock to Pin13	$T_{MULTCK\_P13}$	0.71	0.79	ns, max
Clock to Pin12	$T_{MULTCK\_P12}$	0.71	0.79	ns, max
Clock to Pin11	$T_{MULTCK\_P11}$	0.71	0.79	ns, max
Clock to Pin10	$T_{MULTCK\_P10}$	0.71	0.79	ns, max
Clock to Pin9	$T_{MULTCK\_P9}$	0.71	0.79	ns, max
Clock to Pin8	$T_{MULTCK\_P8}$	0.71	0.79	ns, max
Clock to Pin7	$T_{MULTCK\_P7}$	0.71	0.79	ns, max
Clock to Pin6	$T_{MULTCK\_P6}$	0.71	0.79	ns, max
Clock to Pin5	$T_{MULTCK\_P5}$	0.71	0.79	ns, max
Clock to Pin4	$T_{MULTCK\_P4}$	0.71	0.79	ns, max
Clock to Pin3	$T_{MULTCK\_P3}$	0.71	0.79	ns, max
Clock to Pin2	$T_{MULTCK\_P2}$	0.71	0.79	ns, max
Clock to Pin1	$T_{MULTCK\_P1}$	0.71	0.79	ns, max
Clock to Pin0	$T_{MULTCK\_P0}$	0.71	0.79	ns, max

## Block SelectRAM+ Switching Characteristics

Table 31: Block SelectRAM+ Switching Characteristics

Description	Symbol	Speed Grade		Units
		-6	-5	
<b>Sequential Delays</b>				
Clock CLK to DOUT output	$T_{BCKO}$	1.50	1.68	ns, max
<b>Setup and Hold Times Before Clock CLK</b>				
ADDR inputs	$T_{BACK}/T_{BCKA}$	0.31/ 0.25	0.35/ 0.28	ns, min
DIN inputs	$T_{BDCK}/T_{BCKD}$	0.23/ 0.25	0.26/ 0.28	ns, min
EN input	$T_{BECK}/T_{BCKE}$	0.32/ 0.00	0.35/ 0.00	ns, min
RST input	$T_{BRCK}/T_{BCKR}$	0.32/ 0.00	0.35/ 0.00	ns, min
WEN input	$T_{BWCK}/T_{BCKW}$	0.35/ 0.00	0.39/ 0.00	ns, min
<b>Clock CLK</b>				
CLKA to CLKB setup time for different ports	$T_{BCCS}$	1.0	1.0	ns, min
Minimum Pulse Width, High	$T_{BPWH}$	1.30	1.50	ns, min
Minimum Pulse Width, Low	$T_{BPWL}$	1.30	1.50	ns, min

**Notes:**

1. A Zero "0" Hold Time listing indicates no hold time or a negative hold time. Negative values can not be guaranteed "best-case", but if a "0" is listed, there is no positive hold time.

## TBUF Switching Characteristics

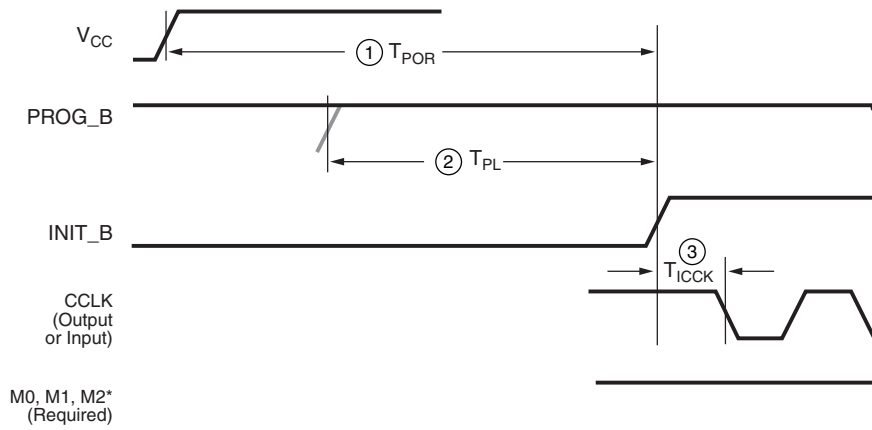
Table 32: TBUF Switching Characteristics

Description	Symbol	Speed Grade		Units
		-6	-5	
<b>Combinatorial Delays</b>				
IN input to OUT output	$T_{IO}$	1.01	1.12	ns, max
TRI input to OUT output high-impedance	$T_{OFF}$	0.55	0.61	ns, max
TRI input to valid data on OUT output	$T_{ON}$	0.55	0.61	ns, max

## Configuration Timing

### Configuration Memory Clearing Parameters

Power-up timing of configuration signals is shown in Figure 2; corresponding timing characteristics are listed in Table 33.



\*Can be either 0 or 1, but must not toggle during and after configuration.

ds083-3\_07\_012004

Figure 2: Configuration Power-Up Timing

Table 33: Power-Up Timing Characteristics

Description	Figure References	Symbol	Value	Units
Power-on reset	1	$T_{POR}$	$T_{PL} + 2$	ms, max
Program latency	2	$T_{PL}$	4	$\mu\text{s}$ per frame, max
CCLK (output) delay	3	$T_{ICCK}$	0.25	$\mu\text{s}$ , min
			4.00	$\mu\text{s}$ , max
Program pulse width		$T_{PROGRAM}$	300	ns, min

**Notes:**

- The M2, M1, and M0 mode pins should be set at a constant DC voltage level, either through pull-up or pull-down resistors, or tied directly to ground or  $V_{CCAUX}$ . The mode pins should not be toggled during and after configuration.

Master/Slave Serial Mode Parameters

Clock timing for Slave Serial configuration programming is shown in Figure 3, with Master Serial clock timing shown in Figure 4. Programming parameters for both Slave and Master modes are given in Table 34.

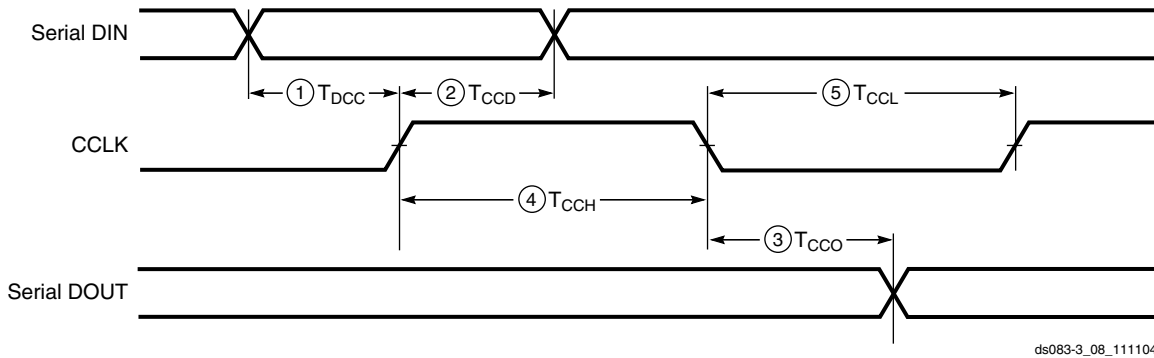


Figure 3: Slave Serial Mode Timing Sequence

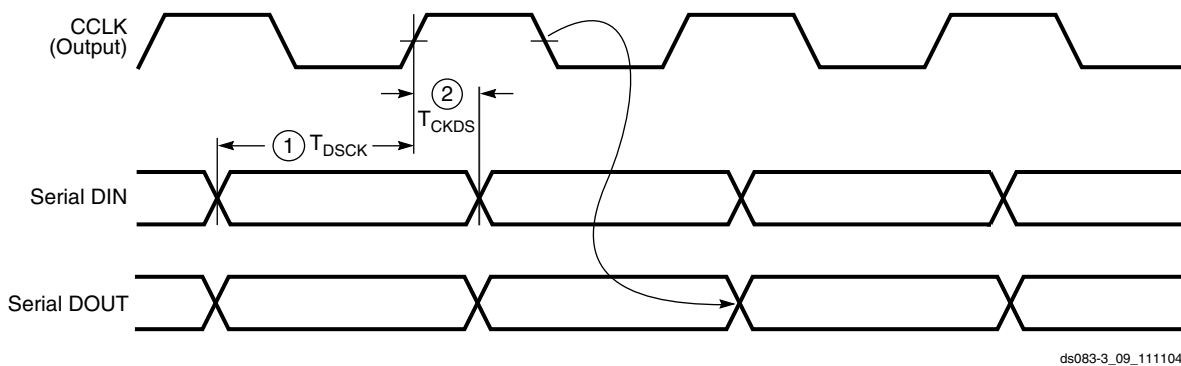


Figure 4: Master Serial Mode Timing Sequence

Table 34: Master/Slave Serial Mode Timing Characteristics

	Description	Figure References	Symbol	Value	Units
CCLK	DIN setup/hold, slave mode (Figure 3)	1/2	T <sub>DCC</sub> /T <sub>CCD</sub>	5.0/0.0	ns, min
	DIN setup/hold, master mode (Figure 4)	1/2	T <sub>DSCK</sub> /T <sub>CKDS</sub>	5.0/0.0	ns, min
	DOUT	3	T <sub>CCO</sub>	12.0	ns, max
	High time	4	T <sub>CCH</sub>	5.0	ns, min
	Low time	5	T <sub>CCL</sub>	5.0	ns, min
	Maximum start-up frequency		F <sub>CC_STARTUP</sub>	50	MHz, max
	Maximum frequency		F <sub>CC_SERIAL</sub>	66 <sup>(1)</sup>	MHz, max
	Frequency tolerance, master mode with respect to nominal			+45% -30%	

Notes:

1. If no provision is made in the design to adjust the frequency of CCLK, F<sub>CC\_SERIAL</sub> should not exceed F<sub>CC\_STARTUP</sub>.

Master/Slave SelectMAP Parameters

Figure 5 is a generic timing diagram for data loading using SelectMAP. For other data loading diagrams, refer to the *Virtex-II Pro Platform FPGA User Guide*.

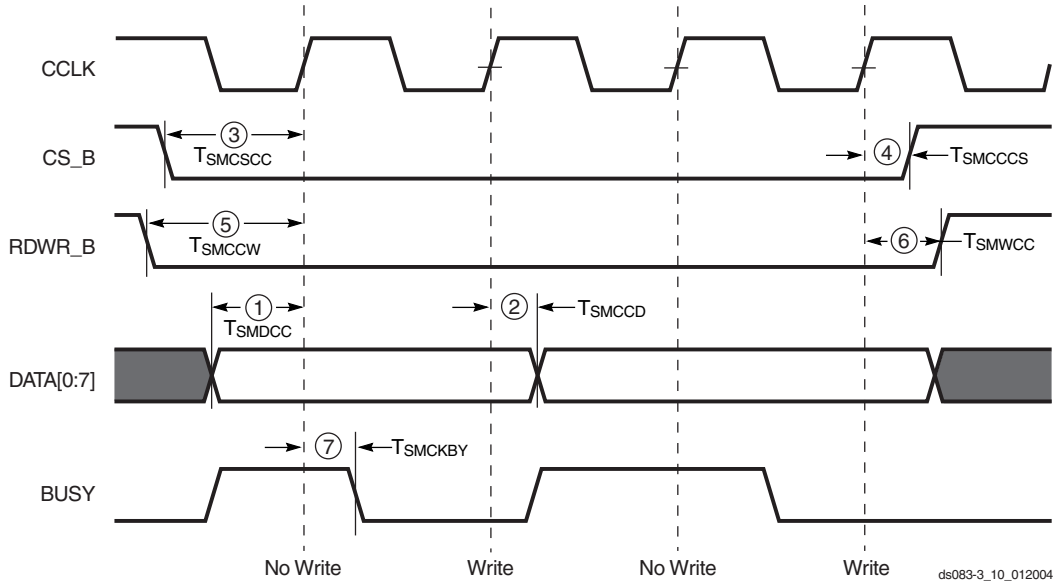


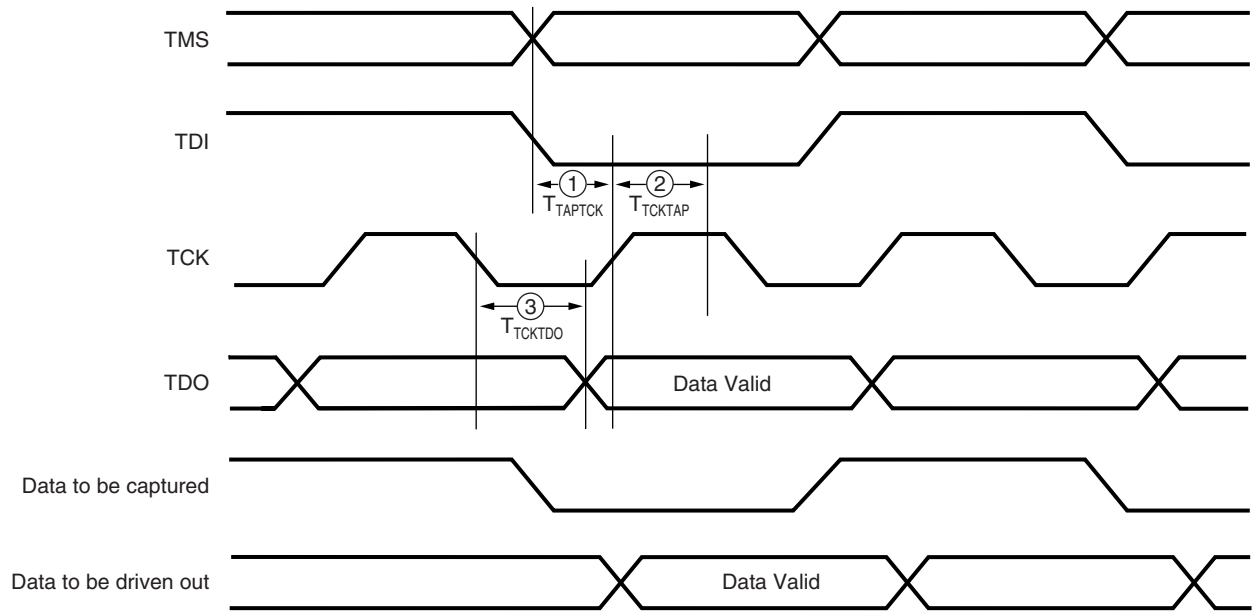
Figure 5: SelectMAP Mode Data Loading Sequence (Generic)

Table 35: SelectMAP Mode Write Timing Characteristics

	Description	Device	Figure References	Symbol	Value	Units
CCLK	DATA[0:7] setup/hold	XQ2VP40	1/2	$T_{SMDCC}/T_{SMCCD}$	5.0/0.0	ns, min
		XQ2VP70			6.0/0.0	ns, min
	CS_B setup/hold		3/4	$T_{SMCSCC}/T_{SMCCCS}$	7.0/0.0	ns, min
	RDWR_B setup/hold		5/6	$T_{SMCCW}/T_{SMWCC}$	7.0/0.0	ns, min
	BUSY propagation delay		7	$T_{SMCKBY}$	12.0	ns, max
	Maximum start-up frequency			$F_{CC\_STARTUP}$	50	MHz, max
	Maximum frequency			$F_{CC\_SELECTMAP}$	50	MHz, max
Maximum frequency with no handshake			$F_{CCNH}$	50	MHz, max	

JTAG Test Access Port Switching Characteristics

Characterization data for some of the most commonly requested timing parameters shown in Figure 6 is listed in Table 36.



ds083-3\_11\_012104

Figure 6: QPro Virtex-II Pro Boundary-Scan Port Timing Waveforms

Table 36: Boundary-Scan Port Timing Specifications

	Description	Figure References	Symbol	Value	Units
TCK	TMS and TDI setup time	1	T <sub>TAPTCK</sub>	5.5	ns, min
	TMS and TDI hold times	2	T <sub>TCKTAP</sub>	2.0	ns, min
	Falling edge to TDO output valid	3	T <sub>TCKTDO</sub>	11.0	ns, max
	Maximum frequency		F <sub>TCK</sub>	33.0	MHz, max



## QPro Virtex-II Pro Pin-to-Pin Output Parameter Guidelines

All devices are 100% functionally tested. Listed below are representative values for typical pin locations and normal clock loading. Values are expressed in nanoseconds unless otherwise noted.

### Global Clock Input to Output Delay for LVCMOS25, 12 mA, Fast Slew Rate, *With* DCM

Table 37: Global Clock Input to Output Delay for LVCMOS25, 12 mA, Fast Slew Rate, *With* DCM

Description	Symbol	Device	Speed Grade		Units
			-6	-5	
LVCMOS25 Global Clock Input to Output Delay using Output Flip-flop, 12 mA, Fast Slew Rate, <i>with</i> DCM. For data <i>output</i> with different standards, adjust the delays with the values shown in "IOB Output Switching Characteristics Standard Adjustments," page 13.					
Global Clock and OFF with DCM	$T_{ICKOFDCM}$	XQ2VP40	–	1.92	ns
		XQ2VP70	2.07	2.24	ns

**Notes:**

1. Listed above are representative values where one global clock input drives one vertical clock line in each accessible column, and where all accessible IOB and CLB flip-flops are clocked by the global clock net.
2. Output timing is measured at 50%  $V_{CC}$  threshold with test setup shown in Figure 1, page 17. For other I/O standards, see Table 24, page 17.
3. DCM output jitter is already included in the timing calculation.

### Global Clock Input to Output Delay for LVCMOS25, 12 mA, Fast Slew Rate, *Without* DCM

Table 38: Global Clock Input to Output Delay for LVCMOS25, 12 mA, Fast Slew Rate, *Without* DCM

Description	Symbol	Device	Speed Grade		Units
			-6	-5	
LVCMOS25 Global Clock Input to Output Delay using Output Flip-flop, 12 mA, Fast Slew Rate, <i>without</i> DCM. For data <i>output</i> with different standards, adjust the delays with the values shown in "IOB Output Switching Characteristics Standard Adjustments," page 13.					
Global Clock and OFF without DCM	$T_{ICKOF}$	XQ2VP40	–	4.67	ns
		XQ2VP70	4.87	5.33	ns

**Notes:**

1. Listed above are representative values where one global clock input drives one vertical clock line in each accessible column, and where all accessible IOB and CLB flip-flops are clocked by the global clock net.
2. Output timing is measured at 50%  $V_{CC}$  threshold with test setup shown in Figure 1, page 17. For other I/O standards, see Table 24, page 17.
3. DCM output jitter is already included in the timing calculation.

## QPro Virtex-II Pro Pin-to-Pin Input Parameter Guidelines

All devices are 100% functionally tested. Listed below are representative values for typical pin locations and normal clock loading. Values are expressed in nanoseconds unless otherwise noted

### Global Clock Set-Up and Hold for LVCMOS25 Standard, *With DCM*

Table 39: Global Clock Set-Up and Hold for LVCMOS25 Standard, *With DCM*

Description	Symbol	Device	Speed Grade		Units
			-6	-5	
Input Setup and Hold Time Relative to Global Clock Input Signal for LVCMOS25 Standard. <sup>(1)</sup> For data input with different standards, adjust the setup time delay by the values shown in "IOB Input Switching Characteristics Standard Adjustments," page 10.					
No Delay Global Clock and IFF <sup>(2)</sup> with DCM	$T_{PSDCM}/T_{PHDCM}$	XQ2VP40	–	1.85/–0.60	ns
		XQ2VP70	1.86/–0.39	1.86/–0.30	ns

**Notes:**

- Setup time is measured relative to the Global Clock input signal with the fastest route and the lightest load. Hold time is measured relative to the Global Clock input signal with the slowest route and heaviest load.
- These measurements include:
  - ◆ CLK0 and CLK180 DCM jitter
  - ◆ Worst-case duty-cycle distortion using CLK0 and CLK180,  $T_{DCD\_CLK180}$ .
- IFF = Input Flip-Flop or Latch

### Global Clock Set-Up and Hold for LVCMOS25 Standard, *Without DCM*

Table 40: Global Clock Set-Up and Hold for LVCMOS25 Standard, *Without DCM*

Description	Symbol	Device	Speed Grade		Units
			-6	-5	
Input Setup and Hold Time Relative to Global Clock Input Signal for LVCMOS25 Standard. For data input with different standards, adjust the setup time delay by the values shown in "IOB Input Switching Characteristics Standard Adjustments," page 10.					
Full Delay Global Clock and IFF without DCM	$T_{PSFD}/T_{PHFD}$	XQ2VP40	–	2.49/–0.54	ns
		XQ2VP70	2.79/–0.55	2.78/–0.41	ns

**Notes:**

- IFF = Input Flip-Flop or Latch
- Setup time is measured relative to the Global Clock input signal with the fastest route and the lightest load. Hold time is measured relative to the Global Clock input signal with the slowest route and heaviest load.
- A Zero "0" Hold Time listing indicates no hold time or a negative hold time. Negative values can not be guaranteed "best-case", but if a "0" is listed, there is no positive hold time.

## DCM Timing Parameters

All devices are 100% functionally tested. Because of the difficulty in directly measuring many internal timing parameters, those parameters are derived from benchmark timing patterns. The following guidelines reflect worst-case values across the recommended operating conditions. All output jitter and phase specifications are determined through statistical measurement at the package pins.

## Operating Frequency Ranges

Table 41: Operating Frequency Ranges

Description	Symbol	Speed Grade		Units
		-6	-5	
<b>Output Clocks (Low Frequency Mode)</b>				
CLK0, CLK90, CLK180, CLK270	CLKOUT_FREQ_1X_LF_MIN	24.00	24.00	MHz
	CLKOUT_FREQ_1X_LF_MAX	210.00	180.00	MHz
CLK2X, CLK2X180 <sup>(5)</sup>	CLKOUT_FREQ_2X_LF_MIN	48.00	48.00	MHz
	CLKOUT_FREQ_2X_LF_MAX	420.00	360.00	MHz
CLKDV	CLKOUT_FREQ_DV_LF_MIN	1.50	1.50	MHz
	CLKOUT_FREQ_DV_LF_MAX	140.00	120.00	MHz
CLKFX, CLKFX180	CLKOUT_FREQ_FX_LF_MIN	24.00	24.00	MHz
	CLKOUT_FREQ_FX_LF_MAX	240.00	210.00	MHz
<b>Input Clocks (Low Frequency Mode)</b>				
CLKIN (using DLL outputs) <sup>(1,3,4)</sup>	CLKIN_FREQ_DLL_LF_MIN	24.00	24.00	MHz
	CLKIN_FREQ_DLL_LF_MAX	210.00	180.00	MHz
CLKIN (using CLKFX outputs) <sup>(2,3,4)</sup>	CLKIN_FREQ_FX_LF_MIN	1.00	1.00	MHz
	CLKIN_FREQ_FX_LF_MAX	240.00	210.00	MHz
PSCLK	PSCLK_FREQ_LF_MIN	0.01	0.01	MHz
	PSCLK_FREQ_LF_MAX	420.00	360.00	MHz
<b>Output Clocks (High Frequency Mode)</b>				
CLK0, CLK180	CLKOUT_FREQ_1X_HF_MIN	48.00	48.00	MHz
	CLKOUT_FREQ_1X_HF_MAX	420.00	360.00	MHz
CLKDV	CLKOUT_FREQ_DV_HF_MIN	3.00	3.00	MHz
	CLKOUT_FREQ_DV_HF_MAX	280.00	240.00	MHz
CLKFX, CLKFX180	CLKOUT_FREQ_FX_HF_MIN	210.00	210.00	MHz
	CLKOUT_FREQ_FX_HF_MAX	320.00	270.00	MHz
<b>Input Clocks (High Frequency Mode)</b>				
CLKIN (using DLL outputs) <sup>(1,3,4)</sup>	CLKIN_FREQ_DLL_HF_MIN	48.00	48.00	MHz
	CLKIN_FREQ_DLL_HF_MAX	420.00	360.00	MHz
CLKIN (using CLKFX outputs) <sup>(2,3,4)</sup>	CLKIN_FREQ_FX_HF_MIN	50.00	50.00	MHz
	CLKIN_FREQ_FX_HF_MAX	320.00	270.00	MHz
PSCLK	PSCLK_FREQ_HF_MIN	0.01	0.01	MHz
	PSCLK_FREQ_HF_MAX	420.00	360.00	MHz

### Notes:

1. "DLL outputs" is used here to describe the outputs: CLK0, CLK90, CLK180, CLK270, CLK2X, CLK2X180, and CLKDV.
2. If both DLL and CLKFX outputs are used, follow the more restrictive specification.
3. If the CLKIN\_DIVIDE\_BY\_2 attribute of the DCM is used, then double these values.
4. If the CLKIN\_DIVIDE\_BY\_2 attribute of the DCM is used and CLKIN frequency > 400 MHz, CLKIN duty cycle must be within ±5% (45/55 to 55/45).
5. CLK2X and CLK2X180 may not be used as the input to the CLKFB pin. See the *Virtex-II Pro Platform FPGA User Guide* for more information.

## Input Clock Tolerances

Table 42: Input Clock Tolerances

Description	Symbol	Constraints $F_{CLKIN}$	Speed Grade				Units
			-6		-5		
			Min	Max	Min	Max	
<b>Input Clock Low/High Pulse Width</b>							
PSCLK	PSCLK_PULSE	< 1MHz	25.00		25.00		ns
PSCLK and CLKIN <sup>(3)</sup>	PSCLK_PULSE and CLKIN_PULSE	1 – 10 MHz	25.00		25.00		ns
		10 – 25 MHz	10.00		10.00		ns
		25 – 50 MHz	5.00		5.00		ns
		50 – 100 MHz	3.00		3.00		ns
		100 – 150 MHz	2.40		2.40		ns
		150 – 200 MHz	2.00		2.00		ns
		200 – 250 MHz	1.80		1.80		ns
		250 – 300 MHz	1.50		1.50		ns
		300 – 350 MHz	1.30		1.30		ns
		350 – 400 MHz	1.15		1.15		ns
> 400 MHz	1.05		1.05		ns		
<b>Input Clock Cycle-Cycle Jitter (Low Frequency Mode)</b>							
CLKIN (using DLL outputs) <sup>(1)</sup>	CLKIN_CYC_JITT_DLL_LF			±300		±300	ps
CLKIN (using CLKFX outputs) <sup>(2)</sup>	CLKIN_CYC_JITT_FX_LF			±300		±300	ps
<b>Input Clock Cycle-Cycle Jitter (High Frequency Mode)</b>							
CLKIN (using DLL outputs) <sup>(1)</sup>	CLKIN_CYC_JITT_DLL_HF			±150		±150	ps
CLKIN (using CLKFX outputs) <sup>(2)</sup>	CLKIN_CYC_JITT_FX_HF			±150		±150	ps
<b>Input Clock Period Jitter (Low Frequency Mode)</b>							
CLKIN (using DLL outputs) <sup>(1)</sup>	CLKIN_PER_JITT_DLL_LF			±1		±1	ns
CLKIN (using CLKFX outputs) <sup>(2)</sup>	CLKIN_PER_JITT_FX_LF			±1		±1	ns
<b>Input Clock Period Jitter (High Frequency Mode)</b>							
CLKIN (using DLL outputs) <sup>(1)</sup>	CLKIN_PER_JITT_DLL_HF			±1		±1	ns
CLKIN (using CLKFX outputs) <sup>(2)</sup>	CLKIN_PER_JITT_FX_HF			±1		±1	ns
<b>Feedback Clock Path Delay Variation</b>							
CLKFB off-chip feedback	CLKFB_DELAY_VAR_EXT			±1		±1	ns

**Notes:**

- “DLL outputs” is used here to describe the outputs: CLK0, CLK90, CLK180, CLK270, CLK2X, CLK2X180, and CLKDV.
- If both DLL and CLKFX outputs are used, follow the more restrictive specification.
- If DCM phase shift feature is used and CLKIN frequency > 200 Mhz, CLKIN duty cycle must be within ±5% (45/55 to 55/45).

## Output Clock Jitter

Table 43: Output Clock Jitter

Description	Symbol	Speed Grade		Units
		-6	-5	
<b>Clock Synthesis Period Jitter</b>				
CLK0	CLKOUT_PER_JITT_0	±100	±100	ps
CLK90	CLKOUT_PER_JITT_90	±150	±150	ps
CLK180	CLKOUT_PER_JITT_180	±150	±150	ps
CLK270	CLKOUT_PER_JITT_270	±150	±150	ps
CLK2X, CLK2X180	CLKOUT_PER_JITT_2X	±200	±200	ps
CLKDV (integer division)	CLKOUT_PER_JITT_DV1	±150	±150	ps
CLKDV (non-integer division)	CLKOUT_PER_JITT_DV2	±300	±300	ps
CLKFX, CLKFX180	CLKOUT_PER_JITT_FX	Note <sup>(1)</sup>	Note <sup>(1)</sup>	ps

**Notes:**

- Use the jitter calculator on the Xilinx website ([http://www.xilinx.com/applications/web\\_ds\\_v2/jitter\\_calc.htm](http://www.xilinx.com/applications/web_ds_v2/jitter_calc.htm)) for CLKFX and CLKFX180 output jitter.

## Output Clock Phase Alignment

Table 44: Output Clock Phase Alignment

Description	Symbol	Speed Grade		Units
		-6	-5	
<b>Phase Offset Between CLKIN and CLKFB</b>				
CLKIN/CLKFB	CLKIN_CLKFB_PHASE	±50	±50	ps
<b>Phase Offset Between Any DCM Outputs</b>				
All CLK* outputs	CLKOUT_PHASE	±140	±140	ps
<b>Duty Cycle Precision</b>				
DLL outputs <sup>(1)</sup>	CLKOUT_DUTY_CYCLE_DLL <sup>(2)</sup>	±150	±150	ps
CLKFX outputs	CLKOUT_DUTY_CYCLE_FX	±100	±100	ps

**Notes:**

- "DLL outputs" is used here to describe the outputs: CLK0, CLK90, CLK180, CLK270, CLK2X, CLK2X180, and CLKDV.
- CLKOUT\_DUTY\_CYCLE\_DLL applies to the 1X clock outputs (CLK0, CLK90, CLK180, and CLK270) only if DUTY\_CYCLE\_CORRECTION = TRUE.
- Specification also applies to PSCLK.

## Miscellaneous Timing Parameters

Table 45: Miscellaneous Timing Parameters

Description	Symbol	Constraints $F_{CLKIN}$	Speed Grade		Units
			-6	-5	
<b>Time Required to Achieve LOCK</b>					
Using DLL outputs <sup>(1)</sup>	LOCK_DLL:				
	LOCK_DLL_60	> 60MHz	20.00	20.00	us
	LOCK_DLL_50_60	50 - 60 MHz	25.00	25.00	us
	LOCK_DLL_40_50	40 - 50 MHz	50.00	50.00	us
	LOCK_DLL_30_40	30 - 40 MHz	90.00	90.00	us
	LOCK_DLL_24_30	24 - 30 MHz	120.00	120.00	us
Using CLKFX outputs	LOCK_FX_MIN		10.00	10.00	ms
	LOCK_FX_MAX		10.00	10.00	ms
Additional lock time with fine phase shifting	LOCK_DLL_FINE_SHIFT		50.00	50.00	us
<b>Fine Phase Shifting</b>					
Absolute shifting range	FINE_SHIFT_RANGE		10.00	10.00	ns
<b>Delay Lines</b>					
Tap delay resolution	DCM_TAP_MIN		30.00	30.00	ps
	DCM_TAP_MAX		50.00	50.00	ps

**Notes:**

- "DLL outputs" is used here to describe the outputs: CLK0, CLK90, CLK180, CLK270, CLK2X, CLK2X180, and CLKDV.

## Frequency Synthesis

Table 46: Frequency Synthesis

Attribute	Min	Max
CLKFX_MULTIPLY	2	32
CLKFX_DIVIDE	1	32

## Parameter Cross-Reference

Table 47: Parameter Cross-Reference

Libraries Guide	Data Sheet
DLL_CLKOUT_{MINIMAX}_LF	CLKOUT_FREQ_{1X 2X IDV}_LF
DFS_CLKOUT_{MINIMAX}_LF	CLKOUT_FREQ_FX_LF
DLL_CLKIN_{MINIMAX}_LF	CLKIN_FREQ_DLL_LF
DFS_CLKIN_{MINIMAX}_LF	CLKIN_FREQ_FX_LF
DLL_CLKOUT_{MINIMAX}_HF	CLKOUT_FREQ_{1X IDV}_HF
DFS_CLKOUT_{MINIMAX}_HF	CLKOUT_FREQ_FX_HF
DLL_CLKIN_{MINIMAX}_HF	CLKIN_FREQ_DLL_HF
DFS_CLKIN_{MINIMAX}_HF	CLKIN_FREQ_FX_HF

## Source-Synchronous Switching Characteristics

The parameters in this section provide the necessary values for calculating timing budgets for QPro Virtex-II Pro source-synchronous transmitter and receiver data-valid windows.

**Table 48: Duty Cycle Distortion and Clock-Tree Skew**

Description	Symbol	Device	Speed Grade		Units
			-6	-5	
Duty Cycle Distortion <sup>(1)</sup>	$T_{DCD\_LOCAL}$	All	0.10	0.20	ns
	$T_{DCD\_CLK180}$		0.11	0.13	ns
Clock Tree Skew <sup>(2)</sup>	$T_{CKSKEW}$	XQ2VP40	–	0.35	ns
		XQ2VP70	0.59	0.64	ns

**Notes:**

- These parameters represent the worst-case duty cycle distortion observable at the pins of the device using LVDS output buffers. For cases where other I/O standards are used, IBIS can be used to calculate any additional duty cycle distortion that might be caused by asymmetrical rise/fall times.  
 $T_{DCD\_LOCAL}$  applies to cases where the dedicated path from the DCM to the BUFG is bypassed and where local (IOB) inversion is used to provide the negative-edge clock to the DDR element in the I/O. Users must follow the implementation guidelines contained in [XAPP685, High-Speed Clock Architecture for DDR Designs Using Local Inversion](#), for these specifications to apply.  
 $T_{DCD\_CLK180}$  applies to cases where the CLK180 output of the DCM is used to provide the negative-edge clock to the DDR element in the I/O.
- This value represents the worst-case clock-tree skew observable between sequential I/O elements. Significantly less clock-tree skew exists for I/O registers that are close to each other and fed by the same or adjacent clock-tree branches. Use the Xilinx FPGA\_Editor and Timing Analyzer tools to evaluate clock skew specific to your application.

**Table 49: Package Skew**

Description	Symbol	Device/Package	Value	Units
Package Skew <sup>(1)</sup>	$T_{PKGSKEW}$	XQ2VP40FF1152	92	ps
		XQ2VP70FF1704	101	ps
		XQ2VP70EF1704	101	ps

**Notes:**

- These values represent the worst-case skew between any two balls of the package: shortest flight time to longest flight time from Pad to Ball (7.1 ps per mm).
- Package trace length information is available for these device/package combinations. This information can be used to deskew the package.

**Table 50: Sample Window**

Description	Symbol	Device	Speed Grade		Units
			-6	-5	
Sampling Error at Receiver Pins <sup>(1)</sup>	$T_{SAMP}$	All	0.50	0.50	ns

**Notes:**

- This parameter indicates the total sampling error of QPro Virtex-II Pro DDR input registers across voltage, temperature, and process. The characterization methodology uses the DCM to capture the DDR input registers' edges of operation.
- These measurements include:
  - ◆ CLK0 and CLK180 DCM jitter
  - ◆ Worst-case duty-cycle distortion,  $T_{DCD\_CLK180}$
  - ◆ DCM accuracy (phase offset)
  - ◆ DCM phase shift resolution
 These measurements do not include package or clock tree skew.

**Table 51: Example Pin-to-Pin Setup/Hold: Source-Synchronous Configuration**

Description	Symbol	Device	Speed Grade		Units
			-6	-5	
<p>Example Data Input Set-Up and Hold Times Relative to a Forwarded Clock Input Pin,<sup>(1)</sup> Using DCM and Global Clock Buffer.</p> <p>Values represent an 18-bit bus located in Banks 2, 3, 6, or 7 and grouped to one Horizontal Global Clock Line. TRACE must be used to determine the actual values for any given design.</p> <p>For situations where clock and data inputs conform to different standards, adjust the setup and hold values accordingly using the values shown in "IOB Input Switching Characteristics Standard Adjustments," page 10.</p>					
No Delay Global Clock and IFF <sup>(2)</sup> with DCM	$T_{PSDCM\_o}/T_{PHDCM\_o}$	XQ2VP40		0.27/ 0.29	ns
		XQ2VP70	0.18/ 0.38	0.18/ 0.38	ns

**Notes:**

- The timing values were measured using the fine-phase adjustment feature of the DCM. These measurements include:
  - ◆ CLK0 and CLK180 DCM jitter
  - ◆ Worst-case duty-cycle distortion using CLK0 and CLK180,  $T_{DCD\_CLK180}$   
Package skew is not included in these measurements.
- IFF = Input Flip-Flop

## Source Synchronous Timing Budgets

This section describes how to use the parameters provided in "Source-Synchronous Switching Characteristics," page 34 to develop system-specific timing budgets. The following analysis provides information necessary for determining QPro Virtex-II Pro contributions to an overall system timing analysis; no assumptions are made about the effects of Inter-Symbol Interference or PCB skew.

### QPro Virtex-II Pro Transmitter Data-Valid Window ( $T_X$ )

$T_X$  is the minimum aggregate valid data period for a source-synchronous data bus at the pins of the device and is calculated as follows:

$$T_X = \text{Data Period} - [\text{Jitter}^{(1)} + \text{Duty Cycle Distortion}^{(2)} + \text{TCKSKEW}^{(3)} + \text{TPKGSKEW}^{(4)}]$$

**Notes:**

- Jitter values and accumulation methodology to be provided in a future release of this document. The absolute period jitter values found in the "DCM Timing Parameters," page 30 section of the particular DCM output clock used to clock the IOB FF can be used for a best case analysis.
- This value depends on the clocking methodology used. See Note1 for Table 48, page 34.
- This value represents the worst-case clock-tree skew observable between sequential I/O elements. Significantly less clock-tree skew exists for I/O registers that are close to each other and fed by the same or adjacent clock-tree branches. Use the Xilinx FPGA\_Editor and Timing Analyzer tools to evaluate clock skew specific to your application.
- These values represent the worst-case skew between any two balls of the package: shortest flight time to longest flight time from pad to ball.

### QPro Virtex-II Pro Receiver Data-Valid Window ( $R_X$ )

$R_X$  is the required minimum aggregate valid data period for a source-synchronous data bus at the pins of the device and is calculated as follows:

$$R_X = [\text{TSAMP}^{(1)} + \text{TCKSKEW}^{(2)} + \text{TPKGSKEW}^{(3)}]$$

**Notes:**

- This parameter indicates the total sampling error of QPro Virtex-II Pro DDR input registers across voltage, temperature, and process. The characterization methodology uses the DCM to capture the DDR input registers' edges of operation. These measurements include:
  - ◆ CLK0 and CLK180 DCM jitter in a quiet system
  - ◆ Worst-case duty-cycle distortion
  - ◆ DCM accuracy (phase offset)
  - ◆ DCM phase shift resolution.

These measurements do not include package or clock tree skew.
- This value represents the worst-case clock-tree skew observable between sequential I/O elements. Significantly less clock-tree skew exists for I/O registers that are close to each other and fed by the same or adjacent clock-tree branches. Use the Xilinx FPGA\_Editor and Timing Analyzer tools to evaluate clock skew specific to your application.
- These values represent the worst-case skew between any two balls of the package: shortest flight time to longest flight time from pad to ball.



### Revision History

This section records the change history for this module of the data sheet.

Date	Version	Revision
11/29/06	1.0	Initial Xilinx release.
12/20/07	2.0	<ul style="list-style-type: none"> <li>Change data sheet title.</li> <li>Added support for XQ2VP70-6EF1704I.</li> <li>Updated the values in <a href="#">Table 5, page 3</a> and <a href="#">Table 6, page 3</a>.</li> <li>Removed support for XQV2P70-6MF1704I.</li> <li>Updated document template.</li> <li>Updated URLs.</li> </ul>
07/25/11	2.1	Added <i>Product Not Recommended for New Designs</i> banner. Changed the I <sub>TRX</sub> typical value in <a href="#">Table 3</a> .

### QPro Virtex-II Pro Data Sheet

The QPro Virtex-II Pro Data Sheet contains the following modules:

- ["Introduction and Overview" \(Module 1\)](#)
- ["Functional Description" \(Module 2\)](#)
- ["DC and Switching Characteristics" \(Module 3\)](#)
- ["Pinout Information" \(Module 4\)](#)

### Notice of Disclaimer

THE XILINX HARDWARE FPGA AND CPLD DEVICES REFERRED TO HEREIN ("PRODUCTS") ARE SUBJECT TO THE TERMS AND CONDITIONS OF THE XILINX LIMITED WARRANTY WHICH CAN BE VIEWED AT <http://www.xilinx.com/warranty.htm>. THIS LIMITED WARRANTY DOES NOT EXTEND TO ANY USE OF PRODUCTS IN AN APPLICATION OR ENVIRONMENT THAT IS NOT WITHIN THE SPECIFICATIONS STATED IN THE XILINX DATA SHEET. ALL SPECIFICATIONS ARE SUBJECT TO CHANGE WITHOUT NOTICE. PRODUCTS ARE NOT DESIGNED OR INTENDED TO BE FAIL-SAFE OR FOR USE IN ANY APPLICATION REQUIRING FAIL-SAFE PERFORMANCE, SUCH AS LIFE-SUPPORT OR SAFETY DEVICES OR SYSTEMS, OR ANY OTHER APPLICATION THAT INVOKES THE POTENTIAL RISKS OF DEATH, PERSONAL INJURY, OR PROPERTY OR ENVIRONMENTAL DAMAGE ("CRITICAL APPLICATIONS"). USE OF PRODUCTS IN CRITICAL APPLICATIONS IS AT THE SOLE RISK OF CUSTOMER, SUBJECT TO APPLICABLE LAWS AND REGULATIONS.



This document provides QPro Virtex™-II Pro Device/Package Combinations, Maximum I/Os, and QPro Virtex-II Pro Pin Definitions, followed by pinout tables and package specifications, for the following packages:

- "FG676 Fine-Pitch BGA Package," page 5
- "EF1152, and FF1152 Flip-Chip Fine-Pitch BGA Packages," page 23
- "EF1704, and FF1704 Flip-Chip Fine-Pitch BGA Packages," page 52

For device pinout diagrams and layout guidelines, refer to the [UG012](#), *Virtex-II Pro Platform FPGA User Guide*. ASCII package pinout files are also available for download from the Xilinx website ([www.xilinx.com](http://www.xilinx.com)).

## QPro Virtex-II Pro Device/Package Combinations and Maximum I/Os

Wire-bond and flip-chip packages are available. [Table 1](#) and [Table 2](#) show the maximum number of user I/Os possible in wire-bond and flip-chip packages, respectively.

- FG denotes wire-bond fine-pitch BGA (1.00 mm pitch).
- FF denotes flip-chip fine-pitch BGA (1.00 mm pitch).
- EF denotes flip-chip fine-pitch BGA with epoxy-coated chip capacitors (1.00 mm pitch).

[Table 3](#) shows the number of available I/Os and the number of differential I/O pairs for each QPro Virtex-II Pro device/package combination. The number of I/Os per package includes all user I/Os *except* the fifteen control pins (CCLK, DONE, M0, M1, M2, PROG\_B, PWRDWN\_B, TCK, TDI, TDO, TMS, HSWAP\_EN, DXN, DXP, and RSVD), and the nine (per transceiver) RocketIO™ MGT pins (TXP, TXN, RXP, RXN, AVCCAUXTX, AVCCAUXRX, VTTX, VTRX, and GNDA).

**Note:** RocketIO Multi-Gigabit Transceivers (MGTs) are not supported in QPro Virtex-II Pro FPGAs.

**Table 1: Wire-Bond Packages Information**

Package	FG676
Pitch (mm)	1.00
Size (mm)	26 x 26
Maximum I/Os	412

**Table 2: Flip-Chip Packages Information**

Package	FF1152	EF1704 FF1704
Pitch (mm)	1.00	1.00
Size (mm)	35 x 35	42.5 x 42.5
Maximum I/Os	644	1040

**Table 3: QPro Virtex-II Pro Available User I/Os and Differential Pairs per Device/Package Combination**

Device	User I/Os	QPro Virtex-II Pro Package		
		FG676	FF1152	EF1704 FF1704
XQ2VP40	Available User I/Os	416	692	–
	Differential I/O Pairs	202	340	–
XQ2VP70	Available User I/Os	–	–	996
	Differential I/O Pairs	–	–	492

### QPro Virtex-II Pro Pin Definitions

This section describes the pinouts for QPro Virtex-II Pro devices in the following packages:

- [FG676 Fine-Pitch BGA Package](#)
- [EF1152, and FF1152 Flip-Chip Fine-Pitch BGA Packages](#)
- [EF1704, and FF1704 Flip-Chip Fine-Pitch BGA Packages](#)

All of the devices supported in a particular package are pinout-compatible and are listed in the same table (one table per package). Pins that are not available for smaller devices are listed in right-hand columns as No Connects.

Each device is split into eight I/O banks to allow for flexibility in the choice of I/O standards. Global pins, including JTAG, configuration, and power/ground pins, are listed at the end of each table. [Table 4](#) provides definitions for all pin types.

All QPro Virtex-II Pro pinout tables are available online (at [www.xilinx.com](http://www.xilinx.com)).

### Pin Definitions

[Table 4](#) provides a description of each pin type listed in QPro Virtex-II Pro pinout tables.

**Table 4: QPro Virtex-II Pro Pin Definitions**

Pin Name	Direction	Description
<b>User I/O Pins:</b>		
IO_LXXY_#	Input/Output/Bi directional	All user I/O pins are capable of differential signalling and can implement LVDS, ULVDS, BLVDS, LVPECL, or LDT pairs. Each user I/O is labeled "IO_LXXY_#", where: <ul style="list-style-type: none"> <li>• <b>IO</b> indicates a user I/O pin.</li> <li>• <b>LXXY</b> indicates a differential pair, with <b>XX</b> a unique pair in the bank and <b>Y = P/N</b> for the positive and negative sides of the differential pair.</li> <li>• <b>#</b> indicates the bank number (0 through 7)</li> </ul>
<b>Dual-Function Pins:</b>		
IO_LXXY_#/ZZZ		The <i>dual-function pins</i> are labelled "IO_LXXY_#/ZZZ", where "ZZZ" can be one of the following pins: <ul style="list-style-type: none"> <li>• Per Bank - <b>VRP, VRN, or VREF</b></li> <li>• Globally - <b>GCLKx(S/P), BUSY/DOUT, INIT_B, D0/DIN – D7, RDWR_B, or CS_B</b></li> </ul> These dual functions are defined in the following section:
<b>"ZZZ" (Dual Function) Definitions:</b>		
D0/DIN, D1, D2, D3, D4, D5, D6, D7	Input/Output	<ul style="list-style-type: none"> <li>• <i>In SelectMAP mode</i>, D0 through D7 are configuration data pins. These pins become user I/Os after configuration, unless the SelectMAP port is retained.</li> <li>• <i>In bit-serial modes</i>, DIN (D0) is the single-data input. This pin becomes a user I/O after configuration.</li> </ul>
CS_B	Input	In SelectMAP mode, this is the active-low Chip Select signal. The pin becomes a user I/O after configuration, unless the SelectMAP port is retained.
RDWR_B	Input	In SelectMAP mode, this is the active-low Write Enable signal. The pin becomes a user I/O after configuration, unless the SelectMAP port is retained.
BUSY/DOUT	Output	<ul style="list-style-type: none"> <li>• <i>In SelectMAP mode</i>, BUSY controls the rate at which configuration data is loaded. The pin becomes a user I/O after configuration, unless the SelectMAP port is retained.</li> <li>• <i>In bit-serial modes</i>, DOUT provides preamble and configuration data to downstream devices in a daisy-chain. The pin becomes a user I/O after configuration.</li> </ul>
INIT_B	Bidirectional (open-drain)	When Low, this pin indicates that the configuration memory is being cleared. When held Low, the start of configuration is delayed. During configuration, a Low on this output indicates that a configuration data error has occurred. The pin becomes a user I/O after configuration.
GCLKx (S/P)	Input/Output	These are clock input pins that connect to Global Clock Buffers. These pins become regular user I/Os when not needed for clocks. In addition, These pins can be used to clock the RocketIO transceiver. See the <a href="#">UG024, RocketIO™ Transceiver User Guide</a> , for design guidelines and BREFCLK-specific pins, by device.
VRP	Input	This pin is for the DCI voltage reference resistor of P transistor (per bank).
VRN	Input	This pin is for the DCI voltage reference resistor of N transistor (per bank).
VREF	Input	These are input threshold voltage pins. They become user I/Os when an external threshold voltage is not needed (per bank).

Table 4: QPro Virtex-II Pro Pin Definitions (Cont'd)

Pin Name	Direction	Description
<b>Dedicated Pins:<sup>(1)</sup></b>		
CCLK	Input/Output	Configuration clock. Output in Master mode or Input in Slave mode.
PROG_B	Input	Active Low asynchronous reset to configuration logic. This pin has a permanent weak pull-up resistor.
DONE	Input/Output	DONE is a bidirectional signal with an optional internal pull-up resistor. As an output, this pin indicates completion of the configuration process. As an input, a Low level on DONE can be configured to delay the start-up sequence.
M2, M1, M0	Input	Configuration mode selection. Pin is biased by $V_{CCAUX}$ (must be 2.5V). These pins should not connect to 3.3V unless 100 $\Omega$ series resistors are used. The mode pins are not to be toggled (changed) while in operation during and after configuration.
HSWAP_EN	Input	Enable I/O pull-ups during configuration.
TCK	Input	Boundary-Scan Clock. This pin is 3.3V compatible.
TDI	Input	Boundary-Scan Data Input. This pin is 3.3V compatible.
TDO	Output (open-drain)	Boundary-Scan Data Output. Pin is open-drain and can be pulled up to 3.3V. It is recommended that the external pull-up be greater than 200 $\Omega$ . There is no internal pull-up.
TMS	Input	Boundary-Scan Mode Select. This pin is 3.3V compatible.
PWRDWN_B	Input (unsupported)	Active Low power-down pin (unsupported). <i>Driving this pin Low can adversely affect device operation and configuration.</i> PWRDWN_B is internally pulled High, which is its default state. It does not require an external pull-up.
<b>Other Pins:</b>		
DXN, DXP	N/A	Temperature-sensing diode pins (Anode: DXP, Cathode: DXN).
$V_{BATT}$	Input	Decryptor key memory backup supply. (Connect to $V_{CCAUX}$ or GND if battery not used.)
RSVD	N/A	Reserved pin - do not connect.
$V_{CCO}$	Input	Power-supply pins for the output drivers (per bank).
$V_{CCAUX}$	Input	Power-supply pins for auxiliary circuits.
$V_{CCINT}$	Input	Power-supply pins for the internal core logic.
GND	Input	Ground.
AVCCAUXRX# <sup>(3)</sup>	Input	Analog power supply for receive circuitry of the RocketIO MGT (2.5V).
AVCCAUTX# <sup>(3)</sup>	Input	Analog power supply for transmit circuitry of the RocketIO MGT (2.5V).
BREFCLKN, BREFCLKP <sup>(2,3)</sup>	Input	Differential clock input that clocks the RocketIO X MGTs populating the same side of the chip (top or bottom). Can also drive DCMs for RocketIO X MGT use.
VTRXPAD# <sup>(3)</sup>	Input	Receive termination supply for the RocketIO MGT (1.8V - 2.8V).
VTTXPAD# <sup>(3)</sup>	Input	Transmit termination supply for the RocketIO MGT (1.8V - 2.8V).
GND# <sup>(3)</sup>	Input	Ground for the analog circuitry of the RocketIO MGT.
RXPPAD# <sup>(3)</sup>	Input	Positive differential receive port of the RocketIO MGT.
RXNPAD# <sup>(3)</sup>	Input	Negative differential receive port of the RocketIO MGT.
TXPPAD# <sup>(3)</sup>	Output	Positive differential transmit port of the RocketIO MGT.
TXNPAD# <sup>(3)</sup>	Output	Negative differential transmit port of the RocketIO MGT.

**Notes:**

1. All dedicated pins (JTAG and configuration) are powered by  $V_{CCAUX}$  (independent of the bank  $V_{CCO}$  voltage).
2. For more information on BREFCLK, see "[BREFCLK Pin Definitions](#)," page 4.
3. RocketIO™ Multi-Gigabit Transceivers (MGTs) are not supported in QPro Virtex-II Pro FPGAs.

### BREFCLK Pin Definitions

These dedicated clocks use the same clock inputs for all packages ([Table 5](#)):

*Table 5: BREFCLK Pin Definitions*

Top	BREFCLK	P	GCLK4S	Bottom	BREFCLK	P	GCLK6P
		N	GCLK5P			N	GCLK7S
	BREFCLK2	P	GCLK2S		BREFCLK2	P	GCLK0P
		N	GCLK3P			N	GCLK1S

For detailed information about using BREFCLK/BREFCLK2, including routing considerations and pin numbers for all package types, refer to Chapter 2, "Digital Design Considerations," in the *RocketIO Transceiver User Guide*.

## FG676 Fine-Pitch BGA Package

QPro Virtex-II Pro XQ2VP40 devices are available in the FG676 fine-pitch BGA package. Following the pin listing in [Table 6](#) are the "FG676 Fine-Pitch BGA Package Specifications (1.00mm pitch)," page 22.

Table 6: **FG676 — XQ2VP40**

Bank	Pin Description	Pin Number
0	IO_L01N_0/VRP_0	E5
0	IO_L01P_0/VRN_0	D5
0	IO_L02N_0	E6
0	IO_L02P_0	D6
0	IO_L03N_0	G7
0	IO_L03P_0/VREF_0	F7
0	IO_L05_0/No_Pair	E7
0	IO_L06N_0	D7
0	IO_L06P_0	C7
0	IO_L07N_0	H8
0	IO_L07P_0	G8
0	IO_L09N_0	F8
0	IO_L09P_0/VREF_0	E8
0	IO_L37N_0	B8
0	IO_L37P_0	A8
0	IO_L39N_0	H9
0	IO_L39P_0	G9
0	IO_L43N_0	F9
0	IO_L43P_0	E9
0	IO_L45N_0	D9
0	IO_L45P_0/VREF_0	C9
0	IO_L46N_0	H10
0	IO_L46P_0	H11
0	IO_L48N_0	E10
0	IO_L48P_0	E11
0	IO_L49N_0	D10
0	IO_L49P_0	C10
0	IO_L50_0/No_Pair	G11
0	IO_L53_0/No_Pair	F11
0	IO_L54N_0	J12
0	IO_L54P_0	H12
0	IO_L55N_0	G12
0	IO_L55P_0	F12
0	IO_L57N_0	E12
0	IO_L57P_0/VREF_0	F13
0	IO_L67N_0	D12
0	IO_L67P_0	C12

Table 6: FG676 — XQ2VP40 (Cont'd)

Bank	Pin Description	Pin Number
0	IO_L69N_0	J13
0	IO_L69P_0/VREF_0	H13
0	IO_L74N_0/GCLK7P	E13
0	IO_L74P_0/GCLK6S	D13
0	IO_L75N_0/GCLK5P	C13
0	IO_L75P_0/GCLK4S	B13
1	IO_L75N_1/GCLK3P	B14
1	IO_L75P_1/GCLK2S	C14
1	IO_L74N_1/GCLK1P	D14
1	IO_L74P_1/GCLK0S	E14
1	IO_L69N_1/VREF_1	H14
1	IO_L69P_1	J14
1	IO_L67N_1	C15
1	IO_L67P_1	D15
1	IO_L57N_1/VREF_1	F14
1	IO_L57P_1	E15
1	IO_L55N_1	F15
1	IO_L55P_1	G15
1	IO_L54N_1	H15
1	IO_L54P_1	J15
1	IO_L53_1/No_Pair	F16
1	IO_L50_1/No_Pair	G16
1	IO_L49N_1	C17
1	IO_L49P_1	D17
1	IO_L48N_1	E16
1	IO_L48P_1	E17
1	IO_L46N_1	H16
1	IO_L46P_1	H17
1	IO_L45N_1/VREF_1	C18
1	IO_L45P_1	D18
1	IO_L43N_1	E18
1	IO_L43P_1	F18
1	IO_L39N_1	G18
1	IO_L39P_1	H18
1	IO_L37N_1	A19
1	IO_L37P_1	B19
1	IO_L09N_1/VREF_1	E19
1	IO_L09P_1	F19
1	IO_L07N_1	G19
1	IO_L07P_1	H19

**Table 6: FG676 — XQ2VP40 (Cont'd)**

Bank	Pin Description	Pin Number
1	IO_L06N_1	C20
1	IO_L06P_1	D20
1	IO_L05_1/No_Pair	E20
1	IO_L03N_1/VREF_1	F20
1	IO_L03P_1	G20
1	IO_L02N_1	D21
1	IO_L02P_1	E21
1	IO_L01N_1/VRP_1	D22
1	IO_L01P_1/VRN_1	E22
2	IO_L01N_2/VRP_2	C25
2	IO_L01P_2/VRN_2	C26
2	IO_L02N_2	D25
2	IO_L02P_2	D26
2	IO_L03N_2	E23
2	IO_L03P_2	F22
2	IO_L04N_2/VREF_2	E25
2	IO_L04P_2	E26
2	IO_L06N_2	F21
2	IO_L06P_2	G21
2	IO_L24N_2	F23
2	IO_L24P_2	F24
2	IO_L31N_2	F25
2	IO_L31P_2	F26
2	IO_L32N_2	G22
2	IO_L32P_2	H22
2	IO_L34N_2/VREF_2	G23
2	IO_L34P_2	G24
2	IO_L36N_2	G25
2	IO_L36P_2	G26
2	IO_L37N_2	H20
2	IO_L37P_2	H21
2	IO_L38N_2	H25
2	IO_L38P_2	H26
2	IO_L40N_2/VREF_2	J19
2	IO_L40P_2	J20
2	IO_L42N_2	J21
2	IO_L42P_2	J22
2	IO_L43N_2	J23
2	IO_L43P_2	J24
2	IO_L44N_2	J25



Table 6: FG676 — XQ2VP40 (Cont'd)

Bank	Pin Description	Pin Number
2	IO_L44P_2	J26
2	IO_L46N_2/VREF_2	K19
2	IO_L46P_2	L19
2	IO_L48N_2	K22
2	IO_L48P_2	K23
2	IO_L49N_2	K24
2	IO_L49P_2	L24
2	IO_L50N_2	K25
2	IO_L50P_2	K26
2	IO_L52N_2/VREF_2	L20
2	IO_L52P_2	M20
2	IO_L54N_2	L21
2	IO_L54P_2	L22
2	IO_L55N_2	L25
2	IO_L55P_2	L26
2	IO_L56N_2	M18
2	IO_L56P_2	M19
2	IO_L58N_2/VREF_2	M21
2	IO_L58P_2	N21
2	IO_L60N_2	M22
2	IO_L60P_2	M23
2	IO_L85N_2	M25
2	IO_L85P_2	M26
2	IO_L86N_2	N18
2	IO_L86P_2	N19
2	IO_L88N_2/VREF_2	N22
2	IO_L88P_2	N23
2	IO_L90N_2	N24
2	IO_L90P_2	N25
3	IO_L90N_3	P25
3	IO_L90P_3	P24
3	IO_L89N_3	P23
3	IO_L89P_3	P22
3	IO_L87N_3/VREF_3	P19
3	IO_L87P_3	P18
3	IO_L85N_3	R26
3	IO_L85P_3	R25
3	IO_L60N_3	R23
3	IO_L60P_3	R22
3	IO_L59N_3	P21

Table 6: FG676 — XQ2VP40 (Cont'd)

Bank	Pin Description	Pin Number
3	IO_L59P_3	R21
3	IO_L57N_3/VREF_3	R19
3	IO_L57P_3	R18
3	IO_L55N_3	T26
3	IO_L55P_3	T25
3	IO_L54N_3	T22
3	IO_L54P_3	T21
3	IO_L53N_3	R20
3	IO_L53P_3	T20
3	IO_L51N_3/VREF_3	U26
3	IO_L51P_3	U25
3	IO_L49N_3	T24
3	IO_L49P_3	U24
3	IO_L48N_3	U23
3	IO_L48P_3	U22
3	IO_L47N_3	T19
3	IO_L47P_3	U19
3	IO_L45N_3/VREF_3	V26
3	IO_L45P_3	V25
3	IO_L43N_3	V24
3	IO_L43P_3	V23
3	IO_L42N_3	V22
3	IO_L42P_3	V21
3	IO_L41N_3	V20
3	IO_L41P_3	V19
3	IO_L39N_3/VREF_3	W26
3	IO_L39P_3	W25
3	IO_L37N_3	W21
3	IO_L37P_3	W20
3	IO_L36N_3	Y26
3	IO_L36P_3	Y25
3	IO_L35N_3	Y24
3	IO_L35P_3	Y23
3	IO_L33N_3/VREF_3	W22
3	IO_L33P_3	Y22
3	IO_L31N_3	AA26
3	IO_L31P_3	AA25
3	IO_L24N_3	AA24
3	IO_L24P_3	AA23
3	IO_L23N_3	Y21
3	IO_L23P_3	AA21

Table 6: FG676 — XQ2VP40 (Cont'd)

Bank	Pin Description	Pin Number
3	IO_L06N_3	AB26
3	IO_L06P_3	AB25
3	IO_L05N_3	AA22
3	IO_L05P_3	AB23
3	IO_L03N_3/VREF_3	AC26
3	IO_L03P_3	AC25
3	IO_L02N_3	AC24
3	IO_L02P_3	AD25
3	IO_L01N_3/VRP_3	AD26
3	IO_L01P_3/VRN_3	AE26
4	IO_L01N_4/BUSY/DOUT <sup>(1)</sup>	AB22
4	IO_L01P_4/INIT_B	AC22
4	IO_L02N_4/D0/DIN <sup>(1)</sup>	AB21
4	IO_L02P_4/D1	AC21
4	IO_L03N_4/D2	Y20
4	IO_L03P_4/D3	AA20
4	IO_L05_4/No_Pair	AB20
4	IO_L06N_4/VRP_4	AC20
4	IO_L06P_4/VRN_4	AD20
4	IO_L07N_4	W19
4	IO_L07P_4/VREF_4	Y19
4	IO_L09N_4	AA19
4	IO_L09P_4/VREF_4	AB19
4	IO_L37N_4	AE19
4	IO_L37P_4	AF19
4	IO_L39N_4	W18
4	IO_L39P_4	Y18
4	IO_L43N_4	AA18
4	IO_L43P_4	AB18
4	IO_L45N_4	AC18
4	IO_L45P_4/VREF_4	AD18
4	IO_L46N_4	W17
4	IO_L46P_4	W16
4	IO_L48N_4	AB17
4	IO_L48P_4	AB16
4	IO_L49N_4	AC17
4	IO_L49P_4	AD17
4	IO_L50_4/No_Pair	Y16
4	IO_L53_4/No_Pair	AA16
4	IO_L54N_4	V15

**Table 6: FG676 — XQ2VP40 (Cont'd)**

Bank	Pin Description	Pin Number
4	IO_L54P_4	W15
4	IO_L55N_4	Y15
4	IO_L55P_4	AA15
4	IO_L57N_4	AB15
4	IO_L57P_4/VREF_4	AA14
4	IO_L67N_4	AC15
4	IO_L67P_4	AD15
4	IO_L69N_4	V14
4	IO_L69P_4/VREF_4	W14
4	IO_L74N_4/GCLK3S	AB14
4	IO_L74P_4/GCLK2P	AC14
4	IO_L75N_4/GCLK1S	AD14
4	IO_L75P_4/GCLK0P	AE14
5	IO_L75N_5/GCLK7S	AE13
5	IO_L75P_5/GCLK6P	AD13
5	IO_L74N_5/GCLK5S	AC13
5	IO_L74P_5/GCLK4P	AB13
5	IO_L69N_5/VREF_5	W13
5	IO_L69P_5	V13
5	IO_L67N_5	AD12
5	IO_L67P_5	AC12
5	IO_L57N_5/VREF_5	AA13
5	IO_L57P_5	AB12
5	IO_L55N_5	AA12
5	IO_L55P_5	Y12
5	IO_L54N_5	W12
5	IO_L54P_5	V12
5	IO_L53_5/No_Pair	AA11
5	IO_L50_5/No_Pair	Y11
5	IO_L49N_5	AD10
5	IO_L49P_5	AC10
5	IO_L48N_5	AB11
5	IO_L48P_5	AB10
5	IO_L46N_5	W11
5	IO_L46P_5	W10
5	IO_L45N_5/VREF_5	AD9
5	IO_L45P_5	AC9
5	IO_L43N_5	AB9
5	IO_L43P_5	AA9
5	IO_L39N_5	Y9

Table 6: FG676 — XQ2VP40 (Cont'd)

Bank	Pin Description	Pin Number
5	IO_L39P_5	W9
5	IO_L37N_5	AF8
5	IO_L37P_5	AE8
5	IO_L09N_5/VREF_5	AB8
5	IO_L09P_5	AA8
5	IO_L07N_5/VREF_5	Y8
5	IO_L07P_5	W8
5	IO_L06N_5/VRP_5	AD7
5	IO_L06P_5/VRN_5	AC7
5	IO_L05_5/No_Pair	AB7
5	IO_L03N_5/D4	AA7
5	IO_L03P_5/D5	Y7
5	IO_L02N_5/D6	AC6
5	IO_L02P_5/D7	AB6
5	IO_L01N_5/RDWR_B	AC5
5	IO_L01P_5/CS_B	AB5
6	IO_L01P_6/VRN_6	AE1
6	IO_L01N_6/VRP_6	AD1
6	IO_L02P_6	AD2
6	IO_L02N_6	AC3
6	IO_L03P_6	AC2
6	IO_L03N_6/VREF_6	AC1
6	IO_L05P_6	AB4
6	IO_L05N_6	AA5
6	IO_L06P_6	AB2
6	IO_L06N_6	AB1
6	IO_L23P_6	AA6
6	IO_L23N_6	Y6
6	IO_L24P_6	AA4
6	IO_L24N_6	AA3
6	IO_L31P_6	AA2
6	IO_L31N_6	AA1
6	IO_L33P_6	Y5
6	IO_L33N_6/VREF_6	W5
6	IO_L35P_6	Y4
6	IO_L35N_6	Y3
6	IO_L36P_6	Y2
6	IO_L36N_6	Y1
6	IO_L37P_6	W7
6	IO_L37N_6	W6

Table 6: FG676 — XQ2VP40 (Cont'd)

Bank	Pin Description	Pin Number
6	IO_L39P_6	W2
6	IO_L39N_6/VREF_6	W1
6	IO_L41P_6	V8
6	IO_L41N_6	V7
6	IO_L42P_6	V6
6	IO_L42N_6	V5
6	IO_L43P_6	V4
6	IO_L43N_6	V3
6	IO_L45P_6	V2
6	IO_L45N_6/VREF_6	V1
6	IO_L47P_6	U8
6	IO_L47N_6	T8
6	IO_L48P_6	U5
6	IO_L48N_6	U4
6	IO_L49P_6	U3
6	IO_L49N_6	T3
6	IO_L51P_6	U2
6	IO_L51N_6/VREF_6	U1
6	IO_L53P_6	T7
6	IO_L53N_6	R7
6	IO_L54P_6	T6
6	IO_L54N_6	T5
6	IO_L55P_6	T2
6	IO_L55N_6	T1
6	IO_L57P_6	R9
6	IO_L57N_6/VREF_6	R8
6	IO_L59P_6	R6
6	IO_L59N_6	P6
6	IO_L60P_6	R5
6	IO_L60N_6	R4
6	IO_L85P_6	R2
6	IO_L85N_6	R1
6	IO_L87P_6	P9
6	IO_L87N_6/VREF_6	P8
6	IO_L89P_6	P5
6	IO_L89N_6	P4
6	IO_L90P_6	P3
6	IO_L90N_6	P2
7	IO_L90P_7	N2
7	IO_L90N_7	N3

Table 6: FG676 — XQ2VP40 (Cont'd)

Bank	Pin Description	Pin Number
7	IO_L88P_7	N4
7	IO_L88N_7/VREF_7	N5
7	IO_L86P_7	N8
7	IO_L86N_7	N9
7	IO_L85P_7	M1
7	IO_L85N_7	M2
7	IO_L60P_7	M4
7	IO_L60N_7	M5
7	IO_L58P_7	N6
7	IO_L58N_7/VREF_7	M6
7	IO_L56P_7	M8
7	IO_L56N_7	M9
7	IO_L55P_7	L1
7	IO_L55N_7	L2
7	IO_L54P_7	L5
7	IO_L54N_7	L6
7	IO_L52P_7	M7
7	IO_L52N_7/VREF_7	L7
7	IO_L50P_7	K1
7	IO_L50N_7	K2
7	IO_L49P_7	L3
7	IO_L49N_7	K3
7	IO_L48P_7	K4
7	IO_L48N_7	K5
7	IO_L46P_7	L8
7	IO_L46N_7/VREF_7	K8
7	IO_L44P_7	J1
7	IO_L44N_7	J2
7	IO_L43P_7	J3
7	IO_L43N_7	J4
7	IO_L42P_7	J5
7	IO_L42N_7	J6
7	IO_L40P_7	J7
7	IO_L40N_7/VREF_7	J8
7	IO_L38P_7	H1
7	IO_L38N_7	H2
7	IO_L37P_7	H6
7	IO_L37N_7	H7
7	IO_L36P_7	G1
7	IO_L36N_7	G2
7	IO_L34P_7	G3

**Table 6: FG676 — XQ2VP40 (Cont'd)**

Bank	Pin Description	Pin Number
7	IO_L34N_7/VREF_7	G4
7	IO_L32P_7	H5
7	IO_L32N_7	G5
7	IO_L31P_7	F1
7	IO_L31N_7	F2
7	IO_L24P_7	F3
7	IO_L24N_7	F4
7	IO_L06P_7	G6
7	IO_L06N_7	F6
7	IO_L04P_7	E1
7	IO_L04N_7/VREF_7	E2
7	IO_L03P_7	F5
7	IO_L03N_7	E4
7	IO_L02P_7	D1
7	IO_L02N_7	D2
7	IO_L01P_7/VRN_7	C1
7	IO_L01N_7/VRP_7	C2
0	VCCO_0	C5
0	VCCO_0	C8
0	VCCO_0	D11
0	VCCO_0	J10
0	VCCO_0	J11
0	VCCO_0	K12
0	VCCO_0	K13
1	VCCO_1	C19
1	VCCO_1	C22
1	VCCO_1	D16
1	VCCO_1	J16
1	VCCO_1	J17
1	VCCO_1	K14
1	VCCO_1	K15
2	VCCO_2	E24
2	VCCO_2	H24
2	VCCO_2	K18
2	VCCO_2	L18
2	VCCO_2	L23
2	VCCO_2	M17
2	VCCO_2	N17
3	VCCO_3	P17
3	VCCO_3	R17



**Table 6: FG676 — XQ2VP40 (Cont'd)**

Bank	Pin Description	Pin Number
3	VCCO_3	T18
3	VCCO_3	T23
3	VCCO_3	U18
3	VCCO_3	W24
3	VCCO_3	AB24
4	VCCO_4	U14
4	VCCO_4	U15
4	VCCO_4	V16
4	VCCO_4	V17
4	VCCO_4	AC16
4	VCCO_4	AD19
4	VCCO_4	AD22
5	VCCO_5	U12
5	VCCO_5	U13
5	VCCO_5	V10
5	VCCO_5	V11
5	VCCO_5	AC11
5	VCCO_5	AD5
5	VCCO_5	AD8
6	VCCO_6	P10
6	VCCO_6	R10
6	VCCO_6	T4
6	VCCO_6	T9
6	VCCO_6	U9
6	VCCO_6	W3
6	VCCO_6	AB3
7	VCCO_7	E3
7	VCCO_7	H3
7	VCCO_7	K9
7	VCCO_7	L4
7	VCCO_7	L9
7	VCCO_7	M10
7	VCCO_7	N10
N/A	PROG_B	B1
N/A	HSWAP_EN	B3
N/A	DXP	A3
N/A	DXN	C4
N/A	AVCCAUXTX4	B5
N/A	VTTXPAD4	B4
N/A	TXNPAD4	A4

**Table 6: FG676 — XQ2VP40 (Cont'd)**

Bank	Pin Description	Pin Number
N/A	TXPPAD4	A5
N/A	GND4	C6
N/A	RXPPAD4	A6
N/A	RXNPAD4	A7
N/A	VTRXPAD4	B6
N/A	AVCCAUXRX4	B7
N/A	AVCCAUTX6	B10
N/A	VTTXPAD6	B9
N/A	TXNPAD6	A9
N/A	TXPPAD6	A10
N/A	GND6	C11
N/A	RXPPAD6	A11
N/A	RXNPAD6	A12
N/A	VTRXPAD6	B11
N/A	AVCCAUXRX6	B12
N/A	AVCCAUTX7	B16
N/A	VTTXPAD7	B15
N/A	TXNPAD7	A15
N/A	TXPPAD7	A16
N/A	GND7	C16
N/A	RXPPAD7	A17
N/A	RXNPAD7	A18
N/A	VTRXPAD7	B17
N/A	AVCCAUXRX7	B18
N/A	AVCCAUTX9	B21
N/A	VTTXPAD9	B20
N/A	TXNPAD9	A20
N/A	TXPPAD9	A21
N/A	GND9	C21
N/A	RXPPAD9	A22
N/A	RXNPAD9	A23
N/A	VTRXPAD9	B22
N/A	AVCCAUXRX9	B23
N/A	RSVD	C23
N/A	VBATT	A24
N/A	TMS	B24
N/A	TCK	B26
N/A	TDO	D24
N/A	CCLK	AE24
N/A	PWRDWN_B	AF24
N/A	DONE	AD23

**Table 6: FG676 — XQ2VP40 (Cont'd)**

Bank	Pin Description	Pin Number
N/A	AVCCAUXRX16	AE23
N/A	VTRXPAD16	AE22
N/A	RXNPAD16	AF23
N/A	RXPPAD16	AF22
N/A	GND A16	AD21
N/A	TXPPAD16	AF21
N/A	TXNPAD16	AF20
N/A	VTTXPAD16	AE20
N/A	AVCCAUXTX16	AE21
N/A	AVCCAUXRX18	AE18
N/A	VTRXPAD18	AE17
N/A	RXNPAD18	AF18
N/A	RXPPAD18	AF17
N/A	GND A18	AD16
N/A	TXPPAD18	AF16
N/A	TXNPAD18	AF15
N/A	VTTXPAD18	AE15
N/A	AVCCAUXTX18	AE16
N/A	AVCCAUXRX19	AE12
N/A	VTRXPAD19	AE11
N/A	RXNPAD19	AF12
N/A	RXPPAD19	AF11
N/A	GND A19	AD11
N/A	TXPPAD19	AF10
N/A	TXNPAD19	AF9
N/A	VTTXPAD19	AE9
N/A	AVCCAUXTX19	AE10
N/A	AVCCAUXRX21	AE7
N/A	VTRXPAD21	AE6
N/A	RXNPAD21	AF7
N/A	RXPPAD21	AF6
N/A	GND A21	AD6
N/A	TXPPAD21	AF5
N/A	TXNPAD21	AF4
N/A	VTTXPAD21	AE4
N/A	AVCCAUXTX21	AE5
N/A	M2	AD4
N/A	M0	AF3
N/A	M1	AE3
N/A	TDI	D3

**Table 6: FG676 — XQ2VP40 (Cont'd)**

<b>Bank</b>	<b>Pin Description</b>	<b>Pin Number</b>
N/A	VCCINT	G10
N/A	VCCINT	G13
N/A	VCCINT	G14
N/A	VCCINT	G17
N/A	VCCINT	J9
N/A	VCCINT	J18
N/A	VCCINT	K7
N/A	VCCINT	K10
N/A	VCCINT	K11
N/A	VCCINT	K16
N/A	VCCINT	K17
N/A	VCCINT	K20
N/A	VCCINT	L10
N/A	VCCINT	L17
N/A	VCCINT	N7
N/A	VCCINT	N20
N/A	VCCINT	P7
N/A	VCCINT	P20
N/A	VCCINT	T10
N/A	VCCINT	T17
N/A	VCCINT	U7
N/A	VCCINT	U10
N/A	VCCINT	U11
N/A	VCCINT	U16
N/A	VCCINT	U17
N/A	VCCINT	U20
N/A	VCCINT	V9
N/A	VCCINT	V18
N/A	VCCINT	Y10
N/A	VCCINT	Y13
N/A	VCCINT	Y14
N/A	VCCINT	Y17
N/A	VCCAUX	A2
N/A	VCCAUX	A13
N/A	VCCAUX	A14
N/A	VCCAUX	A25
N/A	VCCAUX	N1
N/A	VCCAUX	N26
N/A	VCCAUX	P1
N/A	VCCAUX	P26
N/A	VCCAUX	AF2

**Table 6: FG676 — XQ2VP40 (Cont'd)**

Bank	Pin Description	Pin Number
N/A	VCCAUX	AF13
N/A	VCCAUX	AF14
N/A	VCCAUX	AF25
N/A	GND	A1
N/A	GND	A26
N/A	GND	B2
N/A	GND	B25
N/A	GND	C3
N/A	GND	C24
N/A	GND	D4
N/A	GND	D8
N/A	GND	D19
N/A	GND	D23
N/A	GND	F10
N/A	GND	F17
N/A	GND	H4
N/A	GND	H23
N/A	GND	K6
N/A	GND	K21
N/A	GND	L11
N/A	GND	L12
N/A	GND	L13
N/A	GND	L14
N/A	GND	L15
N/A	GND	L16
N/A	GND	M3
N/A	GND	M11
N/A	GND	M12
N/A	GND	M13
N/A	GND	M14
N/A	GND	M15
N/A	GND	M16
N/A	GND	M24
N/A	GND	N11
N/A	GND	N12
N/A	GND	N13
N/A	GND	N14
N/A	GND	N15
N/A	GND	N16
N/A	GND	P11
N/A	GND	P12

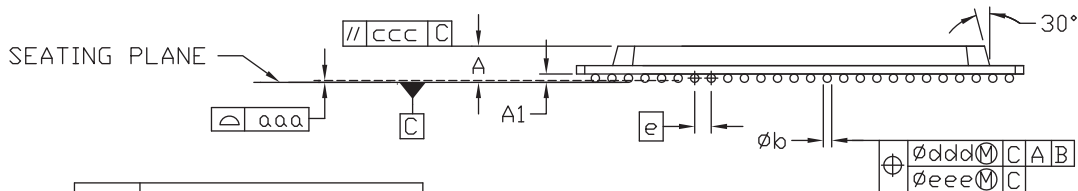
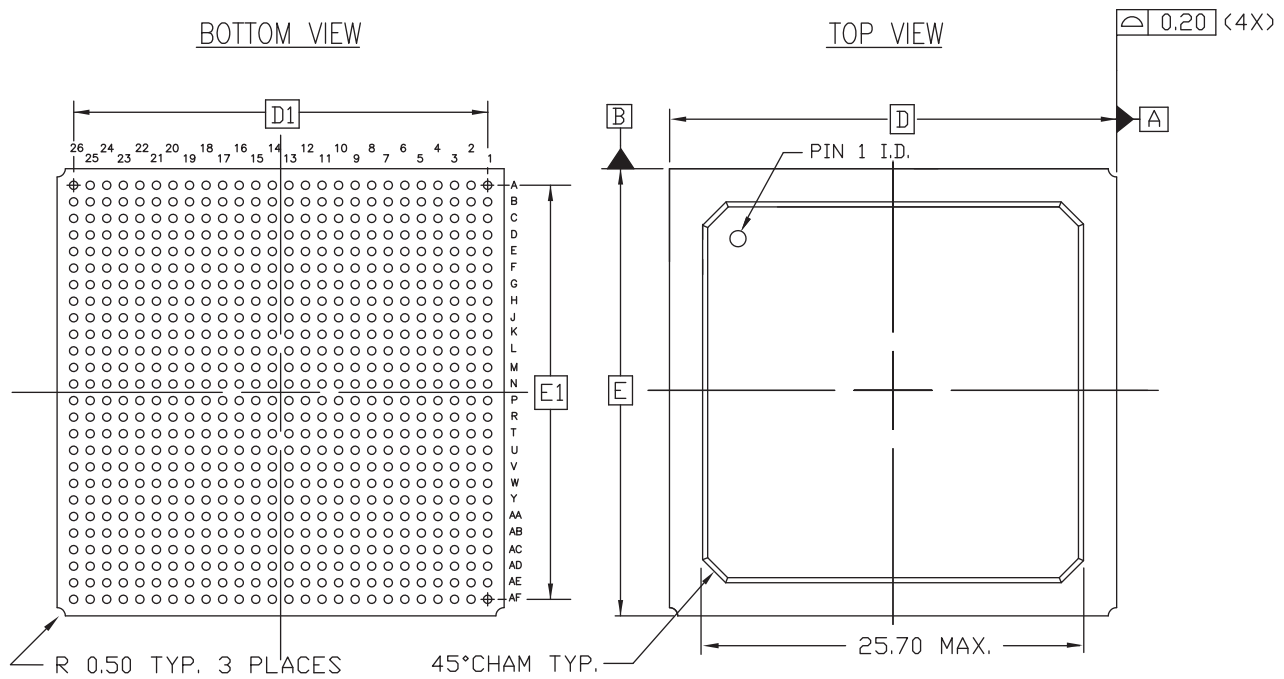
Table 6: FG676 — XQ2VP40 (Cont'd)

Bank	Pin Description	Pin Number
N/A	GND	P13
N/A	GND	P14
N/A	GND	P15
N/A	GND	P16
N/A	GND	R3
N/A	GND	R11
N/A	GND	R12
N/A	GND	R13
N/A	GND	R14
N/A	GND	R15
N/A	GND	R16
N/A	GND	R24
N/A	GND	T11
N/A	GND	T12
N/A	GND	T13
N/A	GND	T14
N/A	GND	T15
N/A	GND	T16
N/A	GND	U6
N/A	GND	U21
N/A	GND	W4
N/A	GND	W23
N/A	GND	AA10
N/A	GND	AA17
N/A	GND	AC4
N/A	GND	AC8
N/A	GND	AC19
N/A	GND	AC23
N/A	GND	AD3
N/A	GND	AD24
N/A	GND	AE2
N/A	GND	AE25
N/A	GND	AF1
N/A	GND	AF26

**Notes:**

1. See [Table 4, page 2](#) for an explanation of the signals available on this pin.

FG676 Fine-Pitch BGA Package Specifications (1.00mm pitch)



FG676 - 63/37 (Sn/Pb) Solder Balls  
 FGG676 - Sn/Ag/Cu Solder Balls

SYMBOL	MILLIMETERS		
	MIN.	NOM.	MAX.
A	2.02	2.23	2.44
A <sub>1</sub>	0.40	0.50	0.60
D/E	27.00 BSC		
D <sub>1</sub> /E <sub>1</sub>	25.00 REF		
e	1.00 BSC		
$\phi b$	0.50	0.60	0.70
aaa	<del>xxx</del>	<del>xxx</del>	0.20
ccc	<del>xxx</del>	<del>xxx</del>	0.35
ddd	<del>xxx</del>	<del>xxx</del>	0.30
eee	<del>xxx</del>	<del>xxx</del>	0.10
M	26		

- NOTES:
1. ALL DIMENSIONS AND TOLERANCES CONFORM TO ANSI Y14.5M-1994
  2. SYMBOL 'M' IS THE BALL MATRIX SIZE.
  3. CONFORMS TO JEDEC MS-034-AAL-1

ds136\_4\_01\_062411

Figure 1: FG676 Fine-Pitch BGA Package Specifications

### EF1152, and FF1152 Flip-Chip Fine-Pitch BGA Packages

QPro Virtex-II Pro XQ2VP40 devices are available in the FF1152 and EF1152 flip-chip fine-pitch BGA packages. Following the pin listing in Table 7 are the "EF1152, and FF1152 Flip-Chip Fine-Pitch BGA Package Specifications (1.00mm pitch)," page 51.

Table 7: EF1152 and FF1152 — XQ2VP40

Bank	Pin Description	Pin Number	No Connects
0	IO_L01N_0/VRP_0	E29	
0	IO_L01P_0/VRN_0	E28	
0	IO_L02N_0	H26	
0	IO_L02P_0	G26	
0	IO_L03N_0	H25	
0	IO_L03P_0/VREF_0	G25	
0	IO_L05_0/No_Pair	J25	
0	IO_L06N_0	K24	
0	IO_L06P_0	J24	
0	IO_L07N_0	F26	
0	IO_L07P_0	E26	
0	IO_L08N_0	D30	
0	IO_L08P_0	D29	
0	IO_L09N_0	K23	
0	IO_L09P_0/VREF_0	J23	
0	IO_L19N_0	F24	
0	IO_L19P_0	E24	
0	IO_L20N_0	D28	
0	IO_L20P_0	C28	
0	IO_L21N_0	H24	
0	IO_L21P_0	G24	
0	IO_L25N_0	G23	
0	IO_L25P_0	F23	
0	IO_L26N_0	E27	
0	IO_L26P_0	D27	
0	IO_L27N_0	K22	
0	IO_L27P_0/VREF_0	J22	
0	IO_L37N_0	H22	
0	IO_L37P_0	G22	
0	IO_L38N_0	D26	
0	IO_L38P_0	C26	
0	IO_L39N_0	K21	
0	IO_L39P_0	J21	
0	IO_L43N_0	F22	
0	IO_L43P_0	E22	
0	IO_L44N_0	E25	
0	IO_L44P_0	D25	
0	IO_L45N_0	H21	



Table 7: EF1152 and FF1152 — XQ2VP40 (Cont'd)

Bank	Pin Description	Pin Number	No Connects
0	IO_L45P_0/VREF_0	G21	
0	IO_L46N_0	D22	
0	IO_L46P_0	D23	
0	IO_L47N_0	D24	
0	IO_L47P_0	C24	
0	IO_L48N_0	K20	
0	IO_L48P_0	J20	
0	IO_L49N_0	F21	
0	IO_L49P_0	E21	
0	IO_L50_0/No_Pair	C21	
0	IO_L53_0/No_Pair	C22	
0	IO_L54N_0	L19	
0	IO_L54P_0	K19	
0	IO_L55N_0	G20	
0	IO_L55P_0	F20	
0	IO_L56N_0	D21	
0	IO_L56P_0	D20	
0	IO_L57N_0	J19	
0	IO_L57P_0/VREF_0	H19	
0	IO_L67N_0	G19	
0	IO_L67P_0	F19	
0	IO_L68N_0	E19	
0	IO_L68P_0	D19	
0	IO_L69N_0	L18	
0	IO_L69P_0/VREF_0	K18	
0	IO_L73N_0	G18	
0	IO_L73P_0	F18	
0	IO_L74N_0/GCLK7P	E18	
0	IO_L74P_0/GCLK6S	D18	
0	IO_L75N_0/GCLK5P	J18	
0	IO_L75P_0/GCLK4S	H18	
1	IO_L75N_1/GCLK3P	H17	
1	IO_L75P_1/GCLK2S	J17	
1	IO_L74N_1/GCLK1P	D17	
1	IO_L74P_1/GCLK0S	E17	
1	IO_L73N_1	F17	
1	IO_L73P_1	G17	
1	IO_L69N_1/VREF_1	K17	
1	IO_L69P_1	L17	
1	IO_L68N_1	D16	
1	IO_L68P_1	E16	

Table 7: EF1152 and FF1152 — XQ2VP40 (Cont'd)

Bank	Pin Description	Pin Number	No Connects
1	IO_L67N_1	F16	
1	IO_L67P_1	G16	
1	IO_L57N_1/VREF_1	H16	
1	IO_L57P_1	J16	
1	IO_L56N_1	D15	
1	IO_L56P_1	D14	
1	IO_L55N_1	F15	
1	IO_L55P_1	G15	
1	IO_L54N_1	K16	
1	IO_L54P_1	L16	
1	IO_L53_1/No_Pair	C13	
1	IO_L50_1/No_Pair	C14	
1	IO_L49N_1	E14	
1	IO_L49P_1	F14	
1	IO_L48N_1	J15	
1	IO_L48P_1	K15	
1	IO_L47N_1	C11	
1	IO_L47P_1	D11	
1	IO_L46N_1	D12	
1	IO_L46P_1	D13	
1	IO_L45N_1/VREF_1	G14	
1	IO_L45P_1	H14	
1	IO_L44N_1	D10	
1	IO_L44P_1	E10	
1	IO_L43N_1	E13	
1	IO_L43P_1	F13	
1	IO_L39N_1	J14	
1	IO_L39P_1	K14	
1	IO_L38N_1	C9	
1	IO_L38P_1	D9	
1	IO_L37N_1	G13	
1	IO_L37P_1	H13	
1	IO_L27N_1/VREF_1	J13	
1	IO_L27P_1	K13	
1	IO_L26N_1	D8	
1	IO_L26P_1	E8	
1	IO_L25N_1	F12	
1	IO_L25P_1	G12	
1	IO_L21N_1	G11	
1	IO_L21P_1	H11	
1	IO_L20N_1	C7	
1	IO_L20P_1	D7	

Table 7: EF1152 and FF1152 — XQ2VP40 (Cont'd)

Bank	Pin Description	Pin Number	No Connects
1	IO_L19N_1	E11	
1	IO_L19P_1	F11	
1	IO_L09N_1/VREF_1	J12	
1	IO_L09P_1	K12	
1	IO_L08N_1	D6	
1	IO_L08P_1	D5	
1	IO_L07N_1	E9	
1	IO_L07P_1	F9	
1	IO_L06N_1	J11	
1	IO_L06P_1	K11	
1	IO_L05_1/No_Pair	J10	
1	IO_L03N_1/VREF_1	G10	
1	IO_L03P_1	H10	
1	IO_L02N_1	G9	
1	IO_L02P_1	H9	
1	IO_L01N_1/VRP_1	E7	
1	IO_L01P_1/VRN_1	E6	
2	IO_L01N_2/VRP_2	D2	
2	IO_L01P_2/VRN_2	D1	
2	IO_L02N_2	F8	
2	IO_L02P_2	F7	
2	IO_L03N_2	E4	
2	IO_L03P_2	E3	
2	IO_L04N_2/VREF_2	E2	
2	IO_L04P_2	E1	
2	IO_L05N_2	J8	
2	IO_L05P_2	J7	
2	IO_L06N_2	F5	
2	IO_L06P_2	F4	
2	IO_L15N_2	G4	
2	IO_L15P_2	G3	
2	IO_L16N_2/VREF_2	G6	
2	IO_L16P_2	G5	
2	IO_L17N_2	F2	
2	IO_L17P_2	F1	
2	IO_L18N_2	L10	
2	IO_L18P_2	L9	
2	IO_L19N_2	H6	
2	IO_L19P_2	H5	
2	IO_L20N_2	G2	
2	IO_L20P_2	G1	

Table 7: EF1152 and FF1152 — XQ2VP40 (Cont'd)

Bank	Pin Description	Pin Number	No Connects
2	IO_L21N_2	J6	
2	IO_L21P_2	J5	
2	IO_L22N_2/VREF_2	J4	
2	IO_L22P_2	J3	
2	IO_L23N_2	K8	
2	IO_L23P_2	K7	
2	IO_L24N_2	H4	
2	IO_L24P_2	H3	
2	IO_L31N_2	H2	
2	IO_L31P_2	H1	
2	IO_L32N_2	M10	
2	IO_L32P_2	M9	
2	IO_L33N_2	K5	
2	IO_L33P_2	K4	
2	IO_L34N_2/VREF_2	J2	
2	IO_L34P_2	K2	
2	IO_L35N_2	L8	
2	IO_L35P_2	L7	
2	IO_L36N_2	L6	
2	IO_L36P_2	L5	
2	IO_L37N_2	K1	
2	IO_L37P_2	L1	
2	IO_L38N_2	N10	
2	IO_L38P_2	N9	
2	IO_L39N_2	M7	
2	IO_L39P_2	M6	
2	IO_L40N_2/VREF_2	L2	
2	IO_L40P_2	M2	
2	IO_L41N_2	N8	
2	IO_L41P_2	N7	
2	IO_L42N_2	L4	
2	IO_L42P_2	L3	
2	IO_L43N_2	M4	
2	IO_L43P_2	M3	
2	IO_L44N_2	P10	
2	IO_L44P_2	P9	
2	IO_L45N_2	N6	
2	IO_L45P_2	N5	
2	IO_L46N_2/VREF_2	M1	
2	IO_L46P_2	N1	
2	IO_L47N_2	P8	
2	IO_L47P_2	P7	

Table 7: EF1152 and FF1152 — XQ2VP40 (Cont'd)

Bank	Pin Description	Pin Number	No Connects
2	IO_L48N_2	N4	
2	IO_L48P_2	N3	
2	IO_L49N_2	N2	
2	IO_L49P_2	P2	
2	IO_L50N_2	R10	
2	IO_L50P_2	R9	
2	IO_L51N_2	P6	
2	IO_L51P_2	P5	
2	IO_L52N_2/VREF_2	P4	
2	IO_L52P_2	P3	
2	IO_L53N_2	T11	
2	IO_L53P_2	U11	
2	IO_L54N_2	R7	
2	IO_L54P_2	R6	
2	IO_L55N_2	P1	
2	IO_L55P_2	R1	
2	IO_L56N_2	T10	
2	IO_L56P_2	T9	
2	IO_L57N_2	R4	
2	IO_L57P_2	R3	
2	IO_L58N_2/VREF_2	R2	
2	IO_L58P_2	T2	
2	IO_L59N_2	T8	
2	IO_L59P_2	T7	
2	IO_L60N_2	T6	
2	IO_L60P_2	T5	
2	IO_L85N_2	T4	
2	IO_L85P_2	T3	
2	IO_L86N_2	U10	
2	IO_L86P_2	U9	
2	IO_L87N_2	U6	
2	IO_L87P_2	U5	
2	IO_L88N_2/VREF_2	U2	
2	IO_L88P_2	V2	
2	IO_L89N_2	U8	
2	IO_L89P_2	U7	
2	IO_L90N_2	U4	
2	IO_L90P_2	U3	
3	IO_L90N_3	V3	
3	IO_L90P_3	V4	
3	IO_L89N_3	V7	

Table 7: EF1152 and FF1152 — XQ2VP40 (Cont'd)

Bank	Pin Description	Pin Number	No Connects
3	IO_L89P_3	V8	
3	IO_L88N_3	V5	
3	IO_L88P_3	V6	
3	IO_L87N_3/VREF_3	W2	
3	IO_L87P_3	Y2	
3	IO_L86N_3	V9	
3	IO_L86P_3	V10	
3	IO_L85N_3	W3	
3	IO_L85P_3	W4	
3	IO_L60N_3	Y1	
3	IO_L60P_3	AA1	
3	IO_L59N_3	V11	
3	IO_L59P_3	W11	
3	IO_L58N_3	W5	
3	IO_L58P_3	W6	
3	IO_L57N_3/VREF_3	Y3	
3	IO_L57P_3	Y4	
3	IO_L56N_3	W7	
3	IO_L56P_3	W8	
3	IO_L55N_3	Y6	
3	IO_L55P_3	Y7	
3	IO_L54N_3	AA2	
3	IO_L54P_3	AB2	
3	IO_L53N_3	W9	
3	IO_L53P_3	W10	
3	IO_L52N_3	AA3	
3	IO_L52P_3	AA4	
3	IO_L51N_3/VREF_3	AB1	
3	IO_L51P_3	AC1	
3	IO_L50N_3	Y9	
3	IO_L50P_3	Y10	
3	IO_L49N_3	AA5	
3	IO_L49P_3	AA6	
3	IO_L48N_3	AB3	
3	IO_L48P_3	AB4	
3	IO_L47N_3	AA7	
3	IO_L47P_3	AA8	
3	IO_L46N_3	AB5	
3	IO_L46P_3	AB6	
3	IO_L45N_3/VREF_3	AC2	
3	IO_L45P_3	AD2	
3	IO_L44N_3	AA9	

Table 7: EF1152 and FF1152 — XQ2VP40 (Cont'd)

Bank	Pin Description	Pin Number	No Connects
3	IO_L44P_3	AA10	
3	IO_L43N_3	AC3	
3	IO_L43P_3	AC4	
3	IO_L42N_3	AD1	
3	IO_L42P_3	AE1	
3	IO_L41N_3	AB7	
3	IO_L41P_3	AB8	
3	IO_L40N_3	AC6	
3	IO_L40P_3	AC7	
3	IO_L39N_3/VREF_3	AD3	
3	IO_L39P_3	AD4	
3	IO_L38N_3	AB9	
3	IO_L38P_3	AB10	
3	IO_L37N_3	AD5	
3	IO_L37P_3	AD6	
3	IO_L36N_3	AE2	
3	IO_L36P_3	AF2	
3	IO_L35N_3	AD7	
3	IO_L35P_3	AD8	
3	IO_L34N_3	AE4	
3	IO_L34P_3	AE5	
3	IO_L33N_3/VREF_3	AG1	
3	IO_L33P_3	AG2	
3	IO_L32N_3	AC9	
3	IO_L32P_3	AC10	
3	IO_L31N_3	AF3	
3	IO_L31P_3	AF4	
3	IO_L24N_3	AH1	
3	IO_L24P_3	AH2	
3	IO_L23N_3	AE7	
3	IO_L23P_3	AE8	
3	IO_L22N_3	AF5	
3	IO_L22P_3	AF6	
3	IO_L21N_3/VREF_3	AG3	
3	IO_L21P_3	AG4	
3	IO_L20N_3	AD9	
3	IO_L20P_3	AD10	
3	IO_L19N_3	AH3	
3	IO_L19P_3	AH4	
3	IO_L18N_3	AJ1	
3	IO_L18P_3	AJ2	
3	IO_L17N_3	AF7	

Table 7: EF1152 and FF1152 — XQ2VP40 (Cont'd)

Bank	Pin Description	Pin Number	No Connects
3	IO_L17P_3	AF8	
3	IO_L16N_3	AK1	
3	IO_L16P_3	AK2	
3	IO_L15N_3/VREF_3	AG5	
3	IO_L15P_3	AG6	
3	IO_L06N_3	AL1	
3	IO_L06P_3	AL2	
3	IO_L05N_3	AG7	
3	IO_L05P_3	AH8	
3	IO_L04N_3	AH5	
3	IO_L04P_3	AH6	
3	IO_L03N_3/VREF_3	AK3	
3	IO_L03P_3	AK4	
3	IO_L02N_3	AJ7	
3	IO_L02P_3	AJ8	
3	IO_L01N_3/VRP_3	AJ4	
3	IO_L01P_3/VRN_3	AJ5	
4	IO_L01N_4/BUSY/DOUT <sup>(1)</sup>	AL5	
4	IO_L01P_4/INIT_B	AL6	
4	IO_L02N_4/D0/DIN <sup>(1)</sup>	AG9	
4	IO_L02P_4/D1	AH9	
4	IO_L03N_4/D2	AK6	
4	IO_L03P_4/D3	AK7	
4	IO_L05_4/No_Pair	AF10	
4	IO_L06N_4/VRP_4	AL7	
4	IO_L06P_4/VRN_4	AM7	
4	IO_L07N_4	AE11	
4	IO_L07P_4/VREF_4	AF11	
4	IO_L08N_4	AG10	
4	IO_L08P_4	AH10	
4	IO_L09N_4	AK8	
4	IO_L09P_4/VREF_4	AL8	
4	IO_L19N_4	AE12	
4	IO_L19P_4	AF12	
4	IO_L20N_4	AJ9	
4	IO_L20P_4	AK9	
4	IO_L21N_4	AL9	
4	IO_L21P_4	AM9	
4	IO_L25N_4	AG11	
4	IO_L25P_4	AH11	
4	IO_L26N_4	AH12	



Table 7: EF1152 and FF1152 — XQ2VP40 (Cont'd)

Bank	Pin Description	Pin Number	No Connects
4	IO_L26P_4	AJ12	
4	IO_L27N_4	AK10	
4	IO_L27P_4/VREF_4	AL10	
4	IO_L37N_4	AE13	
4	IO_L37P_4	AF13	
4	IO_L38N_4	AG13	
4	IO_L38P_4	AH13	
4	IO_L39N_4	AJ11	
4	IO_L39P_4	AK11	
4	IO_L43N_4	AE14	
4	IO_L43P_4	AF14	
4	IO_L44N_4	AJ13	
4	IO_L44P_4	AK13	
4	IO_L45N_4	AL11	
4	IO_L45P_4/VREF_4	AM11	
4	IO_L46N_4	AE15	
4	IO_L46P_4	AF15	
4	IO_L47N_4	AG14	
4	IO_L47P_4	AH14	
4	IO_L48N_4	AL13	
4	IO_L48P_4	AL12	
4	IO_L49N_4	AD16	
4	IO_L49P_4	AE16	
4	IO_L50_4/No_Pair	AJ14	
4	IO_L53_4/No_Pair	AK14	
4	IO_L54N_4	AM14	
4	IO_L54P_4	AM13	
4	IO_L55N_4	AF16	
4	IO_L55P_4	AG16	
4	IO_L56N_4	AH15	
4	IO_L56P_4	AJ15	
4	IO_L57N_4	AL14	
4	IO_L57P_4/VREF_4	AL15	
4	IO_L67N_4	AD17	
4	IO_L67P_4	AE17	
4	IO_L68N_4	AH16	
4	IO_L68P_4	AJ16	
4	IO_L69N_4	AK16	
4	IO_L69P_4/VREF_4	AL16	
4	IO_L73N_4	AF17	
4	IO_L73P_4	AG17	
4	IO_L74N_4/GCLK3S	AH17	

Table 7: EF1152 and FF1152 — XQ2VP40 (Cont'd)

Bank	Pin Description	Pin Number	No Connects
4	IO_L74P_4/GCLK2P	AJ17	
4	IO_L75N_4/GCLK1S	AK17	
4	IO_L75P_4/GCLK0P	AL17	
5	IO_L75N_5/GCLK7S	AL18	
5	IO_L75P_5/GCLK6P	AK18	
5	IO_L74N_5/GCLK5S	AJ18	
5	IO_L74P_5/GCLK4P	AH18	
5	IO_L73N_5	AG18	
5	IO_L73P_5	AF18	
5	IO_L69N_5/VREF_5	AL19	
5	IO_L69P_5	AK19	
5	IO_L68N_5	AJ19	
5	IO_L68P_5	AH19	
5	IO_L67N_5	AE18	
5	IO_L67P_5	AD18	
5	IO_L57N_5/VREF_5	AL20	
5	IO_L57P_5	AL21	
5	IO_L56N_5	AJ20	
5	IO_L56P_5	AH20	
5	IO_L55N_5	AG19	
5	IO_L55P_5	AF19	
5	IO_L54N_5	AM22	
5	IO_L54P_5	AM21	
5	IO_L53_5/No_Pair	AK21	
5	IO_L50_5/No_Pair	AJ21	
5	IO_L49N_5	AE19	
5	IO_L49P_5	AD19	
5	IO_L48N_5	AL23	
5	IO_L48P_5	AL22	
5	IO_L47N_5	AH21	
5	IO_L47P_5	AG21	
5	IO_L46N_5	AF20	
5	IO_L46P_5	AE20	
5	IO_L45N_5/VREF_5	AM24	
5	IO_L45P_5	AL24	
5	IO_L44N_5	AK22	
5	IO_L44P_5	AJ22	
5	IO_L43N_5	AF21	
5	IO_L43P_5	AE21	
5	IO_L39N_5	AK24	
5	IO_L39P_5	AJ24	

**Table 7: EF1152 and FF1152 — XQ2VP40 (Cont'd)**

Bank	Pin Description	Pin Number	No Connects
5	IO_L38N_5	AH22	
5	IO_L38P_5	AG22	
5	IO_L37N_5	AF22	
5	IO_L37P_5	AE22	
5	IO_L27N_5/VREF_5	AL25	
5	IO_L27P_5	AK25	
5	IO_L26N_5	AJ23	
5	IO_L26P_5	AH23	
5	IO_L25N_5	AH24	
5	IO_L25P_5	AG24	
5	IO_L21N_5	AM26	
5	IO_L21P_5	AL26	
5	IO_L20N_5	AK26	
5	IO_L20P_5	AJ26	
5	IO_L19N_5	AF23	
5	IO_L19P_5	AE23	
5	IO_L09N_5/VREF_5	AL27	
5	IO_L09P_5	AK27	
5	IO_L08N_5	AH25	
5	IO_L08P_5	AG25	
5	IO_L07N_5/VREF_5	AF24	
5	IO_L07P_5	AE24	
5	IO_L06N_5/VRP_5	AM28	
5	IO_L06P_5/VRN_5	AL28	
5	IO_L05_5/No_Pair	AF25	
5	IO_L03N_5/D4	AK28	
5	IO_L03P_5/D5	AK29	
5	IO_L02N_5/D6	AH26	
5	IO_L02P_5/D7	AG26	
5	IO_L01N_5/RDWR_B	AL29	
5	IO_L01P_5/CS_B	AL30	
6	IO_L01P_6/VRN_6	AJ30	
6	IO_L01N_6/VRP_6	AJ31	
6	IO_L02P_6	AJ27	
6	IO_L02N_6	AJ28	
6	IO_L03P_6	AK31	
6	IO_L03N_6/VREF_6	AK32	
6	IO_L04P_6	AH29	
6	IO_L04N_6	AH30	
6	IO_L05P_6	AH27	
6	IO_L05N_6	AG28	

Table 7: EF1152 and FF1152 — XQ2VP40 (Cont'd)

Bank	Pin Description	Pin Number	No Connects
6	IO_L06P_6	AL33	
6	IO_L06N_6	AL34	
6	IO_L15P_6	AG29	
6	IO_L15N_6/VREF_6	AG30	
6	IO_L16P_6	AK33	
6	IO_L16N_6	AK34	
6	IO_L17P_6	AF27	
6	IO_L17N_6	AF28	
6	IO_L18P_6	AJ33	
6	IO_L18N_6	AJ34	
6	IO_L19P_6	AH31	
6	IO_L19N_6	AH32	
6	IO_L20P_6	AD25	
6	IO_L20N_6	AD26	
6	IO_L21P_6	AG31	
6	IO_L21N_6/VREF_6	AG32	
6	IO_L22P_6	AF29	
6	IO_L22N_6	AF30	
6	IO_L23P_6	AE27	
6	IO_L23N_6	AE28	
6	IO_L24P_6	AH33	
6	IO_L24N_6	AH34	
6	IO_L31P_6	AF31	
6	IO_L31N_6	AF32	
6	IO_L32P_6	AC25	
6	IO_L32N_6	AC26	
6	IO_L33P_6	AG33	
6	IO_L33N_6/VREF_6	AG34	
6	IO_L34P_6	AE30	
6	IO_L34N_6	AE31	
6	IO_L35P_6	AD27	
6	IO_L35N_6	AD28	
6	IO_L36P_6	AF33	
6	IO_L36N_6	AE33	
6	IO_L37P_6	AD29	
6	IO_L37N_6	AD30	
6	IO_L38P_6	AB25	
6	IO_L38N_6	AB26	
6	IO_L39P_6	AD31	
6	IO_L39N_6/VREF_6	AD32	
6	IO_L40P_6	AC28	
6	IO_L40N_6	AC29	

Table 7: EF1152 and FF1152 — XQ2VP40 (Cont'd)

Bank	Pin Description	Pin Number	No Connects
6	IO_L41P_6	AB27	
6	IO_L41N_6	AB28	
6	IO_L42P_6	AE34	
6	IO_L42N_6	AD34	
6	IO_L43P_6	AC31	
6	IO_L43N_6	AC32	
6	IO_L44P_6	AA25	
6	IO_L44N_6	AA26	
6	IO_L45P_6	AD33	
6	IO_L45N_6/VREF_6	AC33	
6	IO_L46P_6	AB29	
6	IO_L46N_6	AB30	
6	IO_L47P_6	AA27	
6	IO_L47N_6	AA28	
6	IO_L48P_6	AB31	
6	IO_L48N_6	AB32	
6	IO_L49P_6	AA29	
6	IO_L49N_6	AA30	
6	IO_L50P_6	Y25	
6	IO_L50N_6	Y26	
6	IO_L51P_6	AC34	
6	IO_L51N_6/VREF_6	AB34	
6	IO_L52P_6	AA31	
6	IO_L52N_6	AA32	
6	IO_L53P_6	W25	
6	IO_L53N_6	W26	
6	IO_L54P_6	AB33	
6	IO_L54N_6	AA33	
6	IO_L55P_6	Y28	
6	IO_L55N_6	Y29	
6	IO_L56P_6	W27	
6	IO_L56N_6	W28	
6	IO_L57P_6	Y31	
6	IO_L57N_6/VREF_6	Y32	
6	IO_L58P_6	W29	
6	IO_L58N_6	W30	
6	IO_L59P_6	W24	
6	IO_L59N_6	V24	
6	IO_L60P_6	AA34	
6	IO_L60N_6	Y34	
6	IO_L85P_6	W31	
6	IO_L85N_6	W32	

Table 7: EF1152 and FF1152 — XQ2VP40 (Cont'd)

Bank	Pin Description	Pin Number	No Connects
6	IO_L86P_6	V25	
6	IO_L86N_6	V26	
6	IO_L87P_6	Y33	
6	IO_L87N_6/VREF_6	W33	
6	IO_L88P_6	V29	
6	IO_L88N_6	V30	
6	IO_L89P_6	V27	
6	IO_L89N_6	V28	
6	IO_L90P_6	V31	
6	IO_L90N_6	V32	
7	IO_L90P_7	U32	
7	IO_L90N_7	U31	
7	IO_L89P_7	U28	
7	IO_L89N_7	U27	
7	IO_L88P_7	V33	
7	IO_L88N_7/VREF_7	U33	
7	IO_L87P_7	U30	
7	IO_L87N_7	U29	
7	IO_L86P_7	U26	
7	IO_L86N_7	U25	
7	IO_L85P_7	T32	
7	IO_L85N_7	T31	
7	IO_L60P_7	T30	
7	IO_L60N_7	T29	
7	IO_L59P_7	T28	
7	IO_L59N_7	T27	
7	IO_L58P_7	T33	
7	IO_L58N_7/VREF_7	R33	
7	IO_L57P_7	R32	
7	IO_L57N_7	R31	
7	IO_L56P_7	T26	
7	IO_L56N_7	T25	
7	IO_L55P_7	R34	
7	IO_L55N_7	P34	
7	IO_L54P_7	R29	
7	IO_L54N_7	R28	
7	IO_L53P_7	U24	
7	IO_L53N_7	T24	
7	IO_L52P_7	P32	
7	IO_L52N_7/VREF_7	P31	
7	IO_L51P_7	P30	

Table 7: EF1152 and FF1152 — XQ2VP40 (Cont'd)

Bank	Pin Description	Pin Number	No Connects
7	IO_L51N_7	P29	
7	IO_L50P_7	R26	
7	IO_L50N_7	R25	
7	IO_L49P_7	P33	
7	IO_L49N_7	N33	
7	IO_L48P_7	N32	
7	IO_L48N_7	N31	
7	IO_L47P_7	P28	
7	IO_L47N_7	P27	
7	IO_L46P_7	N34	
7	IO_L46N_7/VREF_7	M34	
7	IO_L45P_7	N30	
7	IO_L45N_7	N29	
7	IO_L44P_7	P26	
7	IO_L44N_7	P25	
7	IO_L43P_7	M32	
7	IO_L43N_7	M31	
7	IO_L42P_7	L32	
7	IO_L42N_7	L31	
7	IO_L41P_7	N28	
7	IO_L41N_7	N27	
7	IO_L40P_7	M33	
7	IO_L40N_7/VREF_7	L33	
7	IO_L39P_7	M29	
7	IO_L39N_7	M28	
7	IO_L38P_7	N26	
7	IO_L38N_7	N25	
7	IO_L37P_7	L34	
7	IO_L37N_7	K34	
7	IO_L36P_7	L30	
7	IO_L36N_7	L29	
7	IO_L35P_7	L28	
7	IO_L35N_7	L27	
7	IO_L34P_7	K33	
7	IO_L34N_7/VREF_7	J33	
7	IO_L33P_7	K31	
7	IO_L33N_7	K30	
7	IO_L32P_7	M26	
7	IO_L32N_7	M25	
7	IO_L31P_7	H34	
7	IO_L31N_7	H33	
7	IO_L24P_7	H32	

Table 7: EF1152 and FF1152 — XQ2VP40 (Cont'd)

Bank	Pin Description	Pin Number	No Connects
7	IO_L24N_7	H31	
7	IO_L23P_7	K28	
7	IO_L23N_7	K27	
7	IO_L22P_7	J32	
7	IO_L22N_7/VREF_7	J31	
7	IO_L21P_7	J30	
7	IO_L21N_7	J29	
7	IO_L20P_7	G34	
7	IO_L20N_7	G33	
7	IO_L19P_7	H30	
7	IO_L19N_7	H29	
7	IO_L18P_7	L26	
7	IO_L18N_7	L25	
7	IO_L17P_7	F34	
7	IO_L17N_7	F33	
7	IO_L16P_7	G30	
7	IO_L16N_7/VREF_7	G29	
7	IO_L15P_7	G32	
7	IO_L15N_7	G31	
7	IO_L06P_7	F31	
7	IO_L06N_7	F30	
7	IO_L05P_7	J28	
7	IO_L05N_7	J27	
7	IO_L04P_7	E34	
7	IO_L04N_7/VREF_7	E33	
7	IO_L03P_7	E32	
7	IO_L03N_7	E31	
7	IO_L02P_7	F28	
7	IO_L02N_7	F27	
7	IO_L01P_7/VRN_7	D34	
7	IO_L01N_7/VRP_7	D33	
0	VCCO_0	C29	
0	VCCO_0	E20	
0	VCCO_0	F25	
0	VCCO_0	L20	
0	VCCO_0	L21	
0	VCCO_0	L22	
0	VCCO_0	L23	
0	VCCO_0	M18	
0	VCCO_0	M19	
0	VCCO_0	M20	



Table 7: EF1152 and FF1152 — XQ2VP40 (Cont'd)

Bank	Pin Description	Pin Number	No Connects
0	VCCO_0	M21	
0	VCCO_0	M22	
1	VCCO_1	C6	
1	VCCO_1	E15	
1	VCCO_1	F10	
1	VCCO_1	L12	
1	VCCO_1	L13	
1	VCCO_1	L14	
1	VCCO_1	L15	
1	VCCO_1	M13	
1	VCCO_1	M14	
1	VCCO_1	M15	
1	VCCO_1	M16	
1	VCCO_1	M17	
2	VCCO_2	F3	
2	VCCO_2	K6	
2	VCCO_2	M11	
2	VCCO_2	N11	
2	VCCO_2	N12	
2	VCCO_2	P11	
2	VCCO_2	P12	
2	VCCO_2	R5	
2	VCCO_2	R11	
2	VCCO_2	R12	
2	VCCO_2	T12	
2	VCCO_2	U12	
3	VCCO_3	V12	
3	VCCO_3	W12	
3	VCCO_3	Y5	
3	VCCO_3	Y11	
3	VCCO_3	Y12	
3	VCCO_3	AA11	
3	VCCO_3	AA12	
3	VCCO_3	AB11	
3	VCCO_3	AB12	
3	VCCO_3	AC11	
3	VCCO_3	AE6	
3	VCCO_3	AJ3	
4	VCCO_4	AC13	
4	VCCO_4	AC14	
4	VCCO_4	AC15	
4	VCCO_4	AC16	

Table 7: EF1152 and FF1152 — XQ2VP40 (Cont'd)

Bank	Pin Description	Pin Number	No Connects
4	VCCO_4	AC17	
4	VCCO_4	AD12	
4	VCCO_4	AD13	
4	VCCO_4	AD14	
4	VCCO_4	AD15	
4	VCCO_4	AJ10	
4	VCCO_4	AK15	
4	VCCO_4	AM6	
5	VCCO_5	AC18	
5	VCCO_5	AC19	
5	VCCO_5	AC20	
5	VCCO_5	AC21	
5	VCCO_5	AC22	
5	VCCO_5	AD20	
5	VCCO_5	AD21	
5	VCCO_5	AD22	
5	VCCO_5	AD23	
5	VCCO_5	AJ25	
5	VCCO_5	AK20	
5	VCCO_5	AM29	
6	VCCO_6	V23	
6	VCCO_6	W23	
6	VCCO_6	Y23	
6	VCCO_6	Y24	
6	VCCO_6	Y30	
6	VCCO_6	AA23	
6	VCCO_6	AA24	
6	VCCO_6	AB23	
6	VCCO_6	AB24	
6	VCCO_6	AC24	
6	VCCO_6	AE29	
6	VCCO_6	AJ32	
7	VCCO_7	F32	
7	VCCO_7	K29	
7	VCCO_7	M24	
7	VCCO_7	N23	
7	VCCO_7	N24	
7	VCCO_7	P23	
7	VCCO_7	P24	
7	VCCO_7	R23	
7	VCCO_7	R24	
7	VCCO_7	R30	

Table 7: EF1152 and FF1152 — XQ2VP40 (Cont'd)

Bank	Pin Description	Pin Number	No Connects
7	VCCO_7	T23	
7	VCCO_7	U23	
N/A	CCLK	AE9	
N/A	PROG_B	J26	
N/A	DONE	AE10	
N/A	M0	AF26	
N/A	M1	AE26	
N/A	M2	AE25	
N/A	TCK	J9	
N/A	TDI	H28	
N/A	TDO	H7	
N/A	TMS	K10	
N/A	PWRDWN_B	AF9	
N/A	HSWAP_EN	K25	
N/A	RSVD	G8	
N/A	VBATT	K9	
N/A	DXP	K26	
N/A	DXN	G27	
N/A	AVCCAUTX2	B32	
N/A	VTTXPAD2	B33	
N/A	TXNPAD2	A33	
N/A	TXPPAD2	A32	
N/A	GND A2	C30	
N/A	RXPPAD2	A31	
N/A	RXNPAD2	A30	
N/A	VTRXPAD2	B31	
N/A	AVCCAUXRX2	B30	
N/A	AVCCAUTX4	B28	
N/A	VTTXPAD4	B29	
N/A	TXNPAD4	A29	
N/A	TXPPAD4	A28	
N/A	GND A4	C27	
N/A	RXPPAD4	A27	
N/A	RXNPAD4	A26	
N/A	VTRXPAD4	B27	
N/A	AVCCAUXRX4	B26	
N/A	AVCCAUTX5	B24	NC
N/A	VTTXPAD5	B25	NC
N/A	TXNPAD5	A25	NC
N/A	TXPPAD5	A24	NC
N/A	GND A5	C23	NC

Table 7: EF1152 and FF1152 — XQ2VP40 (Cont'd)

Bank	Pin Description	Pin Number	No Connects
N/A	RXPPAD5	A23	NC
N/A	RXNPAD5	A22	NC
N/A	VTRXPAD5	B23	NC
N/A	AVCCAUXRX5	B22	NC
N/A	AVCCAUTX6	B20	
N/A	VTTXPAD6	B21	
N/A	TXNPAD6	A21	
N/A	TXPPAD6	A20	
N/A	GND A6	C20	
N/A	RXPPAD6	A19	
N/A	RXNPAD6	A18	
N/A	VTRXPAD6	B19	
N/A	AVCCAUXRX6	B18	
N/A	AVCCAUTX7	B16	
N/A	VTTXPAD7	B17	
N/A	TXNPAD7	A17	
N/A	TXPPAD7	A16	
N/A	GND A7	C15	
N/A	RXPPAD7	A15	
N/A	RXNPAD7	A14	
N/A	VTRXPAD7	B15	
N/A	AVCCAUXRX7	B14	
N/A	AVCCAUTX8	B12	NC
N/A	VTTXPAD8	B13	NC
N/A	TXNPAD8	A13	NC
N/A	TXPPAD8	A12	NC
N/A	GND A8	C12	NC
N/A	RXPPAD8	A11	NC
N/A	RXNPAD8	A10	NC
N/A	VTRXPAD8	B11	NC
N/A	AVCCAUXRX8	B10	NC
N/A	AVCCAUTX9	B8	
N/A	VTTXPAD9	B9	
N/A	TXNPAD9	A9	
N/A	TXPPAD9	A8	
N/A	GND A9	C8	
N/A	RXPPAD9	A7	
N/A	RXNPAD9	A6	
N/A	VTRXPAD9	B7	
N/A	AVCCAUXRX9	B6	
N/A	AVCCAUTX11	B4	
N/A	VTTXPAD11	B5	

Table 7: EF1152 and FF1152 — XQ2VP40 (Cont'd)

Bank	Pin Description	Pin Number	No Connects
N/A	TXNPAD11	A5	
N/A	TXPPAD11	A4	
N/A	GND A11	C5	
N/A	RXPPAD11	A3	
N/A	RXNPAD11	A2	
N/A	VTRXPAD11	B3	
N/A	AVCCAUXRX11	B2	
N/A	AVCCAUXRX14	AN2	
N/A	VTRXPAD14	AN3	
N/A	RXNPAD14	AP2	
N/A	RXPPAD14	AP3	
N/A	GND A14	AM5	
N/A	TXPPAD14	AP4	
N/A	TXNPAD14	AP5	
N/A	VTTXPAD14	AN5	
N/A	AVCCAUXTX14	AN4	
N/A	AVCCAUXRX16	AN6	
N/A	VTRXPAD16	AN7	
N/A	RXNPAD16	AP6	
N/A	RXPPAD16	AP7	
N/A	GND A16	AM8	
N/A	TXPPAD16	AP8	
N/A	TXNPAD16	AP9	
N/A	VTTXPAD16	AN9	
N/A	AVCCAUXTX16	AN8	
N/A	AVCCAUXRX17	AN10	NC
N/A	VTRXPAD17	AN11	NC
N/A	RXNPAD17	AP10	NC
N/A	RXPPAD17	AP11	NC
N/A	GND A17	AM12	NC
N/A	TXPPAD17	AP12	NC
N/A	TXNPAD17	AP13	NC
N/A	VTTXPAD17	AN13	NC
N/A	AVCCAUXTX17	AN12	NC
N/A	AVCCAUXRX18	AN14	
N/A	VTRXPAD18	AN15	
N/A	RXNPAD18	AP14	
N/A	RXPPAD18	AP15	
N/A	GND A18	AM15	
N/A	TXPPAD18	AP16	
N/A	TXNPAD18	AP17	
N/A	VTTXPAD18	AN17	

Table 7: EF1152 and FF1152 — XQ2VP40 (Cont'd)

Bank	Pin Description	Pin Number	No Connects
N/A	AVCCAUXTX18	AN16	
N/A	AVCCAUXRX19	AN18	
N/A	VTRXPAD19	AN19	
N/A	RXNPAD19	AP18	
N/A	RXPPAD19	AP19	
N/A	GND A19	AM20	
N/A	TXPPAD19	AP20	
N/A	TXNPAD19	AP21	
N/A	VTTXPAD19	AN21	
N/A	AVCCAUXTX19	AN20	
N/A	AVCCAUXRX20	AN22	NC
N/A	VTRXPAD20	AN23	NC
N/A	RXNPAD20	AP22	NC
N/A	RXPPAD20	AP23	NC
N/A	GND A20	AM23	NC
N/A	TXPPAD20	AP24	NC
N/A	TXNPAD20	AP25	NC
N/A	VTTXPAD20	AN25	NC
N/A	AVCCAUXTX20	AN24	NC
N/A	AVCCAUXRX21	AN26	
N/A	VTRXPAD21	AN27	
N/A	RXNPAD21	AP26	
N/A	RXPPAD21	AP27	
N/A	GND A21	AM27	
N/A	TXPPAD21	AP28	
N/A	TXNPAD21	AP29	
N/A	VTTXPAD21	AN29	
N/A	AVCCAUXTX21	AN28	
N/A	AVCCAUXRX23	AN30	
N/A	VTRXPAD23	AN31	
N/A	RXNPAD23	AP30	
N/A	RXPPAD23	AP31	
N/A	GND A23	AM30	
N/A	TXPPAD23	AP32	
N/A	TXNPAD23	AP33	
N/A	VTTXPAD23	AN33	
N/A	AVCCAUXTX23	AN32	
N/A	VCCINT	L11	
N/A	VCCINT	L24	
N/A	VCCINT	M12	
N/A	VCCINT	M23	

Table 7: EF1152 and FF1152 — XQ2VP40 (Cont'd)

Bank	Pin Description	Pin Number	No Connects
N/A	VCCINT	N13	
N/A	VCCINT	N14	
N/A	VCCINT	N15	
N/A	VCCINT	N16	
N/A	VCCINT	N17	
N/A	VCCINT	N18	
N/A	VCCINT	N19	
N/A	VCCINT	N20	
N/A	VCCINT	N21	
N/A	VCCINT	N22	
N/A	VCCINT	P13	
N/A	VCCINT	P22	
N/A	VCCINT	R13	
N/A	VCCINT	R22	
N/A	VCCINT	T13	
N/A	VCCINT	T22	
N/A	VCCINT	U13	
N/A	VCCINT	U22	
N/A	VCCINT	V13	
N/A	VCCINT	V22	
N/A	VCCINT	W13	
N/A	VCCINT	W22	
N/A	VCCINT	Y13	
N/A	VCCINT	Y22	
N/A	VCCINT	AA13	
N/A	VCCINT	AA22	
N/A	VCCINT	AB13	
N/A	VCCINT	AB14	
N/A	VCCINT	AB15	
N/A	VCCINT	AB16	
N/A	VCCINT	AB17	
N/A	VCCINT	AB18	
N/A	VCCINT	AB19	
N/A	VCCINT	AB20	
N/A	VCCINT	AB21	
N/A	VCCINT	AB22	
N/A	VCCINT	AC12	
N/A	VCCINT	AC23	
N/A	VCCINT	AD11	
N/A	VCCINT	AD24	
N/A	VCCAUX	C3	
N/A	VCCAUX	C4	

Table 7: EF1152 and FF1152 — XQ2VP40 (Cont'd)

Bank	Pin Description	Pin Number	No Connects
N/A	VCCAUX	C17	
N/A	VCCAUX	C18	
N/A	VCCAUX	C31	
N/A	VCCAUX	C32	
N/A	VCCAUX	D3	
N/A	VCCAUX	D32	
N/A	VCCAUX	U1	
N/A	VCCAUX	V1	
N/A	VCCAUX	U34	
N/A	VCCAUX	V34	
N/A	VCCAUX	AL3	
N/A	VCCAUX	AL32	
N/A	VCCAUX	AM3	
N/A	VCCAUX	AM4	
N/A	VCCAUX	AM17	
N/A	VCCAUX	AM18	
N/A	VCCAUX	AM31	
N/A	VCCAUX	AM32	
N/A	GND	AF34	
N/A	GND	B34	
N/A	GND	C1	
N/A	GND	C2	
N/A	GND	C10	
N/A	GND	C16	
N/A	GND	C19	
N/A	GND	C25	
N/A	GND	C33	
N/A	GND	C34	
N/A	GND	D4	
N/A	GND	D31	
N/A	GND	E5	
N/A	GND	E12	
N/A	GND	E23	
N/A	GND	E30	
N/A	GND	F6	
N/A	GND	F29	
N/A	GND	G7	
N/A	GND	G28	
N/A	GND	B1	
N/A	GND	H8	
N/A	GND	H12	



Table 7: EF1152 and FF1152 — XQ2VP40 (Cont'd)

Bank	Pin Description	Pin Number	No Connects
N/A	GND	H15	
N/A	GND	H20	
N/A	GND	J1	
N/A	GND	H27	
N/A	GND	AF1	
N/A	GND	K3	
N/A	GND	K32	
N/A	GND	M5	
N/A	GND	M8	
N/A	GND	M27	
N/A	GND	M30	
N/A	GND	P14	
N/A	GND	P15	
N/A	GND	P16	
N/A	GND	P17	
N/A	GND	P18	
N/A	GND	P19	
N/A	GND	P20	
N/A	GND	P21	
N/A	GND	R8	
N/A	GND	R14	
N/A	GND	R15	
N/A	GND	R16	
N/A	GND	R17	
N/A	GND	R18	
N/A	GND	R19	
N/A	GND	R20	
N/A	GND	R21	
N/A	GND	R27	
N/A	GND	T1	
N/A	GND	T14	
N/A	GND	T15	
N/A	GND	T16	
N/A	GND	T17	
N/A	GND	T18	
N/A	GND	T19	
N/A	GND	T20	
N/A	GND	T21	
N/A	GND	T34	
N/A	GND	U14	
N/A	GND	U15	
N/A	GND	U16	

Table 7: EF1152 and FF1152 — XQ2VP40 (Cont'd)

Bank	Pin Description	Pin Number	No Connects
N/A	GND	U17	
N/A	GND	U18	
N/A	GND	U19	
N/A	GND	U20	
N/A	GND	U21	
N/A	GND	V14	
N/A	GND	V15	
N/A	GND	V16	
N/A	GND	V17	
N/A	GND	V18	
N/A	GND	V19	
N/A	GND	V20	
N/A	GND	V21	
N/A	GND	W1	
N/A	GND	W14	
N/A	GND	W15	
N/A	GND	W16	
N/A	GND	W17	
N/A	GND	W18	
N/A	GND	W19	
N/A	GND	W20	
N/A	GND	W21	
N/A	GND	W34	
N/A	GND	Y8	
N/A	GND	Y14	
N/A	GND	Y15	
N/A	GND	Y16	
N/A	GND	Y17	
N/A	GND	Y18	
N/A	GND	Y19	
N/A	GND	Y20	
N/A	GND	Y21	
N/A	GND	Y27	
N/A	GND	AA14	
N/A	GND	AA15	
N/A	GND	AA16	
N/A	GND	AA17	
N/A	GND	AA18	
N/A	GND	AA19	
N/A	GND	AA20	
N/A	GND	AA21	
N/A	GND	AC5	

Table 7: EF1152 and FF1152 — XQ2VP40 (Cont'd)

Bank	Pin Description	Pin Number	No Connects
N/A	GND	AC8	
N/A	GND	AC27	
N/A	GND	AC30	
N/A	GND	AE3	
N/A	GND	AE32	
N/A	GND	H23	
N/A	GND	AG8	
N/A	GND	AG12	
N/A	GND	AG15	
N/A	GND	AG20	
N/A	GND	AG23	
N/A	GND	AG27	
N/A	GND	J34	
N/A	GND	AH7	
N/A	GND	AH28	
N/A	GND	AJ6	
N/A	GND	AJ29	
N/A	GND	AK5	
N/A	GND	AK12	
N/A	GND	AK23	
N/A	GND	AK30	
N/A	GND	AL4	
N/A	GND	AL31	
N/A	GND	AM1	
N/A	GND	AM2	
N/A	GND	AM10	
N/A	GND	AM16	
N/A	GND	AM19	
N/A	GND	AM25	
N/A	GND	AM33	
N/A	GND	AM34	
N/A	GND	AN1	
N/A	GND	AN34	

**Notes:**

1. See [Table 4, page 2](#) for an explanation of the signals available on this pin.

EF1152, and FF1152 Flip-Chip Fine-Pitch BGA Package Specifications (1.00mm pitch)

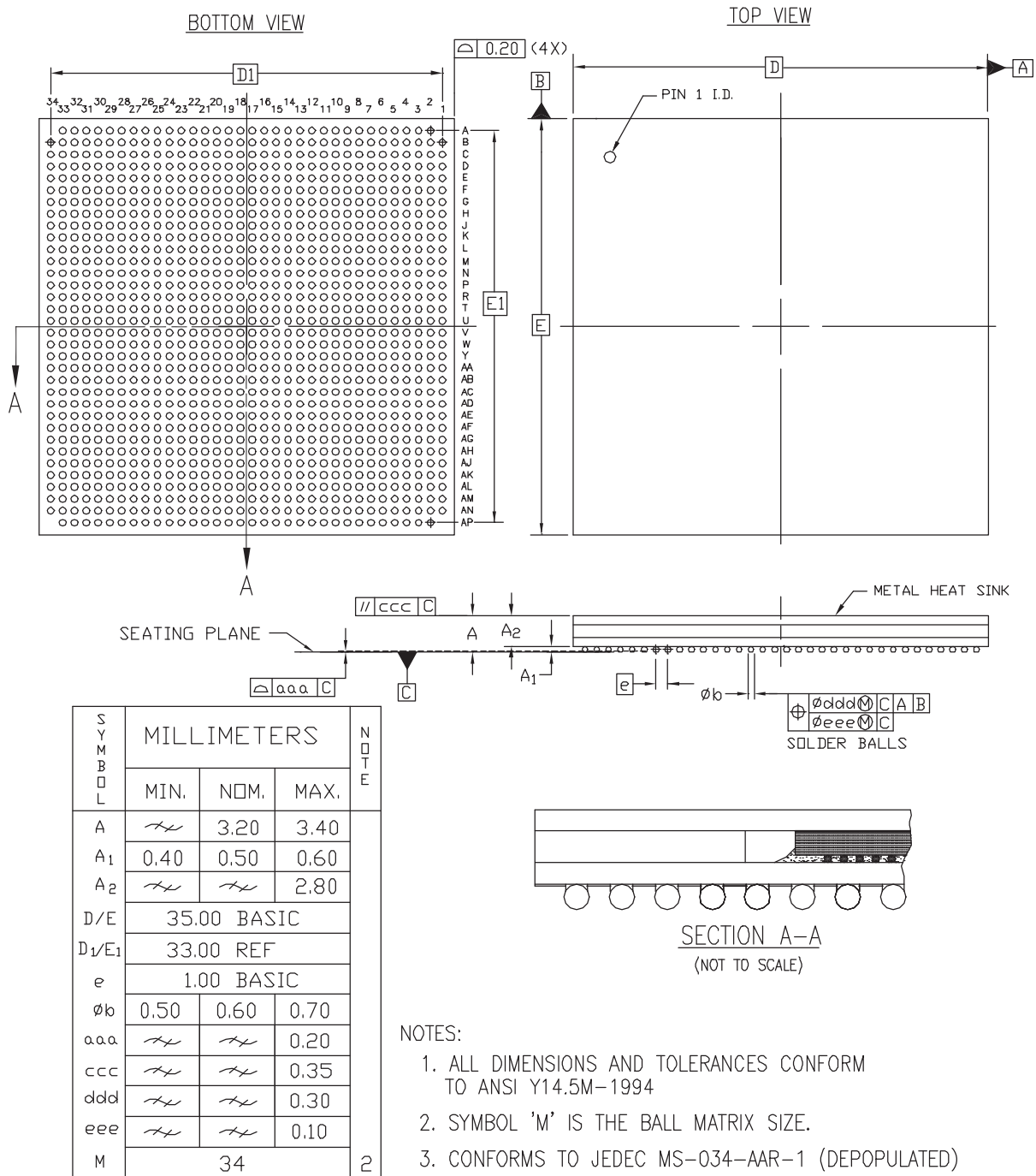


Figure 2: EF1152, and FF1152 Flip-Chip Fine-Pitch BGA Package Specifications

## EF1704, and FF1704 Flip-Chip Fine-Pitch BGA Packages

QPro Virtex-II Pro XQ2VP70 devices are available in the EF1704, and FF1704, flip-chip fine-pitch BGA package. Following the pin listing in Table 8 are the "EF1704, and FF1704 Flip-Chip Fine-Pitch BGA Package Specifications (1.00 mm pitch)," page 93.

Table 8: EF1704, and FF1704 — XQ2VP70

Bank	Pin Description	Pin Number	No Connects
0	IO_L01N_0/VRP_0	G34	
0	IO_L01P_0/VRN_0	H34	
0	IO_L02N_0	F34	
0	IO_L02P_0	E34	
0	IO_L03N_0	C34	
0	IO_L03P_0/VREF_0	D34	
0	IO_L05_0/No_Pair	K32	
0	IO_L06N_0	H33	
0	IO_L06P_0	J33	
0	IO_L07N_0	F33	
0	IO_L07P_0	G33	
0	IO_L08N_0	E33	
0	IO_L08P_0	D33	
0	IO_L09N_0	H32	
0	IO_L09P_0/VREF_0	J32	
0	IO_L19N_0	E32	
0	IO_L19P_0	F32	
0	IO_L20N_0	C33	
0	IO_L20P_0	C32	
0	IO_L21N_0	K31	
0	IO_L21P_0	L31	
0	IO_L25N_0	H31	
0	IO_L25P_0	J31	
0	IO_L26N_0	G31	
0	IO_L26P_0	F31	
0	IO_L27N_0	D31	
0	IO_L27P_0/VREF_0	E31	
0	IO_L28N_0	L30	
0	IO_L28P_0	M30	
0	IO_L29N_0	J30	
0	IO_L29P_0	K30	
0	IO_L30N_0	G30	
0	IO_L30P_0	H30	
0	IO_L34N_0	E30	
0	IO_L34P_0	F30	
0	IO_L35N_0	D30	
0	IO_L35P_0	C30	
0	IO_L36N_0	M28	

Table 8: EF1704, and FF1704 — XQ2VP70 (Cont'd)

Bank	Pin Description	Pin Number	No Connects
0	IO_L36P_0/VREF_0	M29	
0	IO_L78N_0	K29	NC
0	IO_L78P_0	L29	NC
0	IO_L83_0/No_Pair	H29	NC
0	IO_L84N_0	F29	NC
0	IO_L84P_0	G29	NC
0	IO_L85N_0	D29	NC
0	IO_L85P_0	E29	NC
0	IO_L86N_0	L28	NC
0	IO_L86P_0	K28	NC
0	IO_L87N_0	H28	NC
0	IO_L87P_0/VREF_0	J28	NC
0	IO_L37N_0	E28	
0	IO_L37P_0	F28	
0	IO_L38N_0	C29	
0	IO_L38P_0	C28	
0	IO_L39N_0	L27	
0	IO_L39P_0	M27	
0	IO_L43N_0	J27	
0	IO_L43P_0	K27	
0	IO_L44N_0	H27	
0	IO_L44P_0	G27	
0	IO_L45N_0	E27	
0	IO_L45P_0/VREF_0	F27	
0	IO_L46N_0	M25	
0	IO_L46P_0	M26	
0	IO_L47N_0	L26	
0	IO_L47P_0	K26	
0	IO_L48N_0	H26	
0	IO_L48P_0	J26	
0	IO_L49N_0	F26	
0	IO_L49P_0	G26	
0	IO_L50_0/No_Pair	D27	
0	IO_L53_0/No_Pair	D26	
0	IO_L54N_0	K25	
0	IO_L54P_0	L25	
0	IO_L55N_0	G25	
0	IO_L55P_0	H25	
0	IO_L56N_0	E26	
0	IO_L56P_0	E25	
0	IO_L57N_0	C25	
0	IO_L57P_0/VREF_0	C26	

Table 8: EF1704, and FF1704 — XQ2VP70 (Cont'd)

Bank	Pin Description	Pin Number	No Connects
0	IO_L58N_0	L24	
0	IO_L58P_0	M24	
0	IO_L59N_0	J24	
0	IO_L59P_0	K24	
0	IO_L60N_0	G24	
0	IO_L60P_0	H24	
0	IO_L64N_0	E24	
0	IO_L64P_0	F24	
0	IO_L65N_0	D24	
0	IO_L65P_0	C24	
0	IO_L66N_0	M22	
0	IO_L66P_0/VREF_0	M23	
0	IO_L67N_0	K23	
0	IO_L67P_0	L23	
0	IO_L68N_0	J23	
0	IO_L68P_0	H23	
0	IO_L69N_0	E23	
0	IO_L69P_0/VREF_0	F23	
0	IO_L73N_0	C23	
0	IO_L73P_0	D23	
0	IO_L74N_0/GCLK7P	K22	
0	IO_L74P_0/GCLK6S	J22	
0	IO_L75N_0/GCLK5P	F22	
0	IO_L75P_0/GCLK4S	G22	
1	IO_L75N_1/GCLK3P	G21	
1	IO_L75P_1/GCLK2S	F21	
1	IO_L74N_1/GCLK1P	J21	
1	IO_L74P_1/GCLK0S	K21	
1	IO_L73N_1	D20	
1	IO_L73P_1	C20	
1	IO_L69N_1/VREF_1	F20	
1	IO_L69P_1	E20	
1	IO_L68N_1	H20	
1	IO_L68P_1	J20	
1	IO_L67N_1	L20	
1	IO_L67P_1	K20	
1	IO_L66N_1/VREF_1	M20	
1	IO_L66P_1	M21	
1	IO_L65N_1	C19	
1	IO_L65P_1	D19	
1	IO_L64N_1	F19	

**Table 8: EF1704, and FF1704 — XQ2VP70 (Cont'd)**

Bank	Pin Description	Pin Number	No Connects
1	IO_L64P_1	E19	
1	IO_L60N_1	H19	
1	IO_L60P_1	G19	
1	IO_L59N_1	K19	
1	IO_L59P_1	J19	
1	IO_L58N_1	M19	
1	IO_L58P_1	L19	
1	IO_L57N_1/VREF_1	C17	
1	IO_L57P_1	C18	
1	IO_L56N_1	E18	
1	IO_L56P_1	E17	
1	IO_L55N_1	H18	
1	IO_L55P_1	G18	
1	IO_L54N_1	L18	
1	IO_L54P_1	K18	
1	IO_L53_1/No_Pair	D17	
1	IO_L50_1/No_Pair	D16	
1	IO_L49N_1	G17	
1	IO_L49P_1	F17	
1	IO_L48N_1	J17	
1	IO_L48P_1	H17	
1	IO_L47N_1	K17	
1	IO_L47P_1	L17	
1	IO_L46N_1	M17	
1	IO_L46P_1	M18	
1	IO_L45N_1/VREF_1	F16	
1	IO_L45P_1	E16	
1	IO_L44N_1	G16	
1	IO_L44P_1	H16	
1	IO_L43N_1	K16	
1	IO_L43P_1	J16	
1	IO_L39N_1	M16	
1	IO_L39P_1	L16	
1	IO_L38N_1	C15	
1	IO_L38P_1	C14	
1	IO_L37N_1	F15	
1	IO_L37P_1	E15	
1	IO_L87N_1/VREF_1	J15	NC
1	IO_L87P_1	H15	NC
1	IO_L86N_1	K15	NC
1	IO_L86P_1	L15	NC
1	IO_L85N_1	E14	NC



Table 8: EF1704, and FF1704 — XQ2VP70 (Cont'd)

Bank	Pin Description	Pin Number	No Connects
1	IO_L85P_1	D14	NC
1	IO_L84N_1	G14	NC
1	IO_L84P_1	F14	NC
1	IO_L83_1/No_Pair	H14	NC
1	IO_L78N_1	L14	NC
1	IO_L78P_1	K14	NC
1	IO_L36N_1/VREF_1	M14	
1	IO_L36P_1	M15	
1	IO_L35N_1	C13	
1	IO_L35P_1	D13	
1	IO_L34N_1	F13	
1	IO_L34P_1	E13	
1	IO_L30N_1	H13	
1	IO_L30P_1	G13	
1	IO_L29N_1	K13	
1	IO_L29P_1	J13	
1	IO_L28N_1	M13	
1	IO_L28P_1	L13	
1	IO_L27N_1/VREF_1	E12	
1	IO_L27P_1	D12	
1	IO_L26N_1	F12	
1	IO_L26P_1	G12	
1	IO_L25N_1	J12	
1	IO_L25P_1	H12	
1	IO_L21N_1	L12	
1	IO_L21P_1	K12	
1	IO_L20N_1	C11	
1	IO_L20P_1	C10	
1	IO_L19N_1	F11	
1	IO_L19P_1	E11	
1	IO_L09N_1/VREF_1	J11	
1	IO_L09P_1	H11	
1	IO_L08N_1	D10	
1	IO_L08P_1	E10	
1	IO_L07N_1	G10	
1	IO_L07P_1	F10	
1	IO_L06N_1	J10	
1	IO_L06P_1	H10	
1	IO_L05_1/No_Pair	K11	
1	IO_L03N_1/VREF_1	D9	
1	IO_L03P_1	C9	
1	IO_L02N_1	E9	

Table 8: EF1704, and FF1704 — XQ2VP70 (Cont'd)

Bank	Pin Description	Pin Number	No Connects
1	IO_L02P_1	F9	
1	IO_L01N_1/VRP_1	H9	
1	IO_L01P_1/VRN_1	G9	
2	IO_L01N_2/VRP_2	C5	
2	IO_L01P_2/VRN_2	C6	
2	IO_L02N_2	E7	
2	IO_L02P_2	D7	
2	IO_L03N_2	E6	
2	IO_L03P_2	D6	
2	IO_L04N_2/VREF_2	G6	
2	IO_L04P_2	F7	
2	IO_L05N_2	D3	
2	IO_L05P_2	E3	
2	IO_L06N_2	D1	
2	IO_L06P_2	D2	
2	IO_L73N_2	E1	
2	IO_L73P_2	E2	
2	IO_L74N_2	F4	
2	IO_L74P_2	F3	
2	IO_L75N_2	F1	
2	IO_L75P_2	F2	
2	IO_L76N_2/VREF_2	G3	
2	IO_L76P_2	G4	
2	IO_L77N_2	G2	
2	IO_L77P_2	G1	
2	IO_L78N_2	G5	
2	IO_L78P_2	H6	
2	IO_L79N_2	H4	
2	IO_L79P_2	H5	
2	IO_L80N_2	H3	
2	IO_L80P_2	H2	
2	IO_L81N_2	H7	
2	IO_L81P_2	J8	
2	IO_L82N_2/VREF_2	J6	
2	IO_L82P_2	J7	
2	IO_L83N_2	J5	
2	IO_L83P_2	J4	
2	IO_L84N_2	J1	
2	IO_L84P_2	J2	
2	IO_L07N_2	K9	
2	IO_L07P_2	L10	

Table 8: EF1704, and FF1704 — XQ2VP70 (Cont'd)

Bank	Pin Description	Pin Number	No Connects
2	IO_L08N_2	K6	
2	IO_L08P_2	K5	
2	IO_L09N_2	K8	
2	IO_L09P_2	K7	
2	IO_L10N_2/VREF_2	K2	
2	IO_L10P_2	K1	
2	IO_L11N_2	L8	
2	IO_L11P_2	L9	
2	IO_L12N_2	L6	
2	IO_L12P_2	L7	
2	IO_L13N_2	K3	
2	IO_L13P_2	L3	
2	IO_L14N_2	L5	
2	IO_L14P_2	L4	
2	IO_L15N_2	L1	
2	IO_L15P_2	L2	
2	IO_L16N_2/VREF_2	M7	
2	IO_L16P_2	M8	
2	IO_L17N_2	M11	
2	IO_L17P_2	M12	
2	IO_L18N_2	M9	
2	IO_L18P_2	M10	
2	IO_L19N_2	M2	
2	IO_L19P_2	M3	
2	IO_L20N_2	M4	
2	IO_L20P_2	M5	
2	IO_L21N_2	N7	
2	IO_L21P_2	N8	
2	IO_L22N_2/VREF_2	N5	
2	IO_L22P_2	N6	
2	IO_L23N_2	N9	
2	IO_L23P_2	N10	
2	IO_L24N_2	N3	
2	IO_L24P_2	N4	
2	IO_L25N_2	N1	
2	IO_L25P_2	N2	
2	IO_L26N_2	N11	
2	IO_L26P_2	N12	
2	IO_L27N_2	P9	
2	IO_L27P_2	P10	
2	IO_L28N_2/VREF_2	P7	
2	IO_L28P_2	P8	

Table 8: EF1704, and FF1704 — XQ2VP70 (Cont'd)

Bank	Pin Description	Pin Number	No Connects
2	IO_L29N_2	P11	
2	IO_L29P_2	P12	
2	IO_L30N_2	P5	
2	IO_L30P_2	P6	
2	IO_L31N_2	P1	
2	IO_L31P_2	P2	
2	IO_L32N_2	R9	
2	IO_L32P_2	R10	
2	IO_L33N_2	R5	
2	IO_L33P_2	R6	
2	IO_L34N_2/VREF_2	P3	
2	IO_L34P_2	R3	
2	IO_L35N_2	R1	
2	IO_L35P_2	R2	
2	IO_L36N_2	R11	
2	IO_L36P_2	R12	
2	IO_L37N_2	T6	
2	IO_L37P_2	T7	
2	IO_L38N_2	T8	
2	IO_L38P_2	R8	
2	IO_L39N_2	T4	
2	IO_L39P_2	T5	
2	IO_L40N_2/VREF_2	T2	
2	IO_L40P_2	T3	
2	IO_L41N_2	T10	
2	IO_L41P_2	T11	
2	IO_L42N_2	U7	
2	IO_L42P_2	U8	
2	IO_L43N_2	U5	
2	IO_L43P_2	U6	
2	IO_L44N_2	U9	
2	IO_L44P_2	U10	
2	IO_L45N_2	U3	
2	IO_L45P_2	U4	
2	IO_L46N_2/VREF_2	U1	
2	IO_L46P_2	U2	
2	IO_L47N_2	T12	
2	IO_L47P_2	U12	
2	IO_L48N_2	V10	
2	IO_L48P_2	V11	
2	IO_L49N_2	V7	
2	IO_L49P_2	V8	

*Table 8: EF1704, and FF1704 — XQ2VP70 (Cont'd)*

Bank	Pin Description	Pin Number	No Connects
2	IO_L50N_2	U11	
2	IO_L50P_2	V12	
2	IO_L51N_2	V4	
2	IO_L51P_2	V5	
2	IO_L52N_2/VREF_2	V1	
2	IO_L52P_2	V2	
2	IO_L53N_2	W9	
2	IO_L53P_2	W10	
2	IO_L54N_2	W7	
2	IO_L54P_2	W8	
2	IO_L55N_2	W5	
2	IO_L55P_2	W6	
2	IO_L56N_2	W11	
2	IO_L56P_2	W12	
2	IO_L57N_2	W3	
2	IO_L57P_2	W4	
2	IO_L58N_2/VREF_2	W1	
2	IO_L58P_2	W2	
2	IO_L59N_2	Y9	
2	IO_L59P_2	Y10	
2	IO_L60N_2	Y6	
2	IO_L60P_2	Y7	
2	IO_L85N_2	Y3	
2	IO_L85P_2	Y4	
2	IO_L86N_2	Y11	
2	IO_L86P_2	Y12	
2	IO_L87N_2	AA9	
2	IO_L87P_2	AA10	
2	IO_L88N_2/VREF_2	AA6	
2	IO_L88P_2	AA7	
2	IO_L89N_2	AA12	
2	IO_L89P_2	AB12	
2	IO_L90N_2	AA3	
2	IO_L90P_2	AA4	
3	IO_L90N_3	AB3	
3	IO_L90P_3	AB4	
3	IO_L89N_3	AB6	
3	IO_L89P_3	AB7	
3	IO_L88N_3	AB9	
3	IO_L88P_3	AB10	
3	IO_L87N_3/VREF_3	AC3	

Table 8: EF1704, and FF1704 — XQ2VP70 (Cont'd)

Bank	Pin Description	Pin Number	No Connects
3	IO_L87P_3	AC4	
3	IO_L86N_3	AC11	
3	IO_L86P_3	AC12	
3	IO_L85N_3	AC6	
3	IO_L85P_3	AC7	
3	IO_L60N_3	AC9	
3	IO_L60P_3	AC10	
3	IO_L59N_3	AD9	
3	IO_L59P_3	AD10	
3	IO_L58N_3	AD1	
3	IO_L58P_3	AD2	
3	IO_L57N_3/VREF_3	AD3	
3	IO_L57P_3	AD4	
3	IO_L56N_3	AD11	
3	IO_L56P_3	AD12	
3	IO_L55N_3	AD5	
3	IO_L55P_3	AD6	
3	IO_L54N_3	AD7	
3	IO_L54P_3	AD8	
3	IO_L53N_3	AE10	
3	IO_L53P_3	AE11	
3	IO_L52N_3	AE1	
3	IO_L52P_3	AE2	
3	IO_L51N_3/VREF_3	AE4	
3	IO_L51P_3	AE5	
3	IO_L50N_3	AF11	
3	IO_L50P_3	AE12	
3	IO_L49N_3	AE7	
3	IO_L49P_3	AE8	
3	IO_L48N_3	AF1	
3	IO_L48P_3	AF2	
3	IO_L47N_3	AG12	
3	IO_L47P_3	AF12	
3	IO_L46N_3	AF3	
3	IO_L46P_3	AF4	
3	IO_L45N_3/VREF_3	AF5	
3	IO_L45P_3	AF6	
3	IO_L44N_3	AF7	
3	IO_L44P_3	AF8	
3	IO_L43N_3	AF9	
3	IO_L43P_3	AF10	
3	IO_L42N_3	AG2	

Table 8: EF1704, and FF1704 — XQ2VP70 (Cont'd)

Bank	Pin Description	Pin Number	No Connects
3	IO_L42P_3	AG3	
3	IO_L41N_3	AG10	
3	IO_L41P_3	AG11	
3	IO_L40N_3	AG4	
3	IO_L40P_3	AG5	
3	IO_L39N_3/VREF_3	AG6	
3	IO_L39P_3	AG7	
3	IO_L38N_3	AG8	
3	IO_L38P_3	AH8	
3	IO_L37N_3	AH1	
3	IO_L37P_3	AH2	
3	IO_L36N_3	AH3	
3	IO_L36P_3	AJ3	
3	IO_L35N_3	AH11	
3	IO_L35P_3	AH12	
3	IO_L34N_3	AH5	
3	IO_L34P_3	AH6	
3	IO_L33N_3/VREF_3	AH9	
3	IO_L33P_3	AH10	
3	IO_L32N_3	AJ11	
3	IO_L32P_3	AJ12	
3	IO_L31N_3	AJ1	
3	IO_L31P_3	AJ2	
3	IO_L30N_3	AJ5	
3	IO_L30P_3	AJ6	
3	IO_L29N_3	AJ9	
3	IO_L29P_3	AJ10	
3	IO_L28N_3	AJ7	
3	IO_L28P_3	AJ8	
3	IO_L27N_3/VREF_3	AK1	
3	IO_L27P_3	AK2	
3	IO_L26N_3	AK11	
3	IO_L26P_3	AK12	
3	IO_L25N_3	AK3	
3	IO_L25P_3	AK4	
3	IO_L24N_3	AK5	
3	IO_L24P_3	AK6	
3	IO_L23N_3	AK9	
3	IO_L23P_3	AK10	
3	IO_L22N_3	AK7	
3	IO_L22P_3	AK8	
3	IO_L21N_3/VREF_3	AL2	

Table 8: EF1704, and FF1704 — XQ2VP70 (Cont'd)

Bank	Pin Description	Pin Number	No Connects
3	IO_L21P_3	AL3	
3	IO_L20N_3	AL11	
3	IO_L20P_3	AL12	
3	IO_L19N_3	AL4	
3	IO_L19P_3	AL5	
3	IO_L18N_3	AL7	
3	IO_L18P_3	AL8	
3	IO_L17N_3	AL9	
3	IO_L17P_3	AL10	
3	IO_L16N_3	AM1	
3	IO_L16P_3	AM2	
3	IO_L15N_3/VREF_3	AM3	
3	IO_L15P_3	AN3	
3	IO_L14N_3	AM8	
3	IO_L14P_3	AM9	
3	IO_L13N_3	AM4	
3	IO_L13P_3	AM5	
3	IO_L12N_3	AM6	
3	IO_L12P_3	AM7	
3	IO_L11N_3	AN9	
3	IO_L11P_3	AM10	
3	IO_L10N_3	AN1	
3	IO_L10P_3	AN2	
3	IO_L09N_3/VREF_3	AN5	
3	IO_L09P_3	AN6	
3	IO_L08N_3	AN7	
3	IO_L08P_3	AN8	
3	IO_L07N_3	AP1	
3	IO_L07P_3	AP2	
3	IO_L84N_3	AP4	
3	IO_L84P_3	AP5	
3	IO_L83N_3	AR7	
3	IO_L83P_3	AP8	
3	IO_L82N_3	AP6	
3	IO_L82P_3	AP7	
3	IO_L81N_3/VREF_3	AR2	
3	IO_L81P_3	AR3	
3	IO_L80N_3	AT5	
3	IO_L80P_3	AR6	
3	IO_L79N_3	AR4	
3	IO_L79P_3	AR5	
3	IO_L78N_3	AT1	



**Table 8: EF1704, and FF1704 — XQ2VP70 (Cont'd)**

Bank	Pin Description	Pin Number	No Connects
3	IO_L78P_3	AT2	
3	IO_L77N_3	AT3	
3	IO_L77P_3	AT4	
3	IO_L76N_3	AU1	
3	IO_L76P_3	AU2	
3	IO_L75N_3/VREF_3	AU3	
3	IO_L75P_3	AU4	
3	IO_L74N_3	AV3	
3	IO_L74P_3	AW3	
3	IO_L73N_3	AV1	
3	IO_L73P_3	AV2	
3	IO_L06N_3	AW1	
3	IO_L06P_3	AW2	
3	IO_L05N_3	AT8	
3	IO_L05P_3	AU8	
3	IO_L04N_3	AT6	
3	IO_L04P_3	AU7	
3	IO_L03N_3/VREF_3	AY5	
3	IO_L03P_3	AY6	
3	IO_L02N_3	AV7	
3	IO_L02P_3	AW7	
3	IO_L01N_3/VRP_3	AV6	
3	IO_L01P_3/VRN_3	AW6	
4	IO_L01N_4/BUSY/DOUT <sup>(1)</sup>	AT9	
4	IO_L01P_4/INIT_B	AR9	
4	IO_L02N_4/D0/DIN <sup>(1)</sup>	AU9	
4	IO_L02P_4/D1	AV9	
4	IO_L03N_4/D2	AY9	
4	IO_L03P_4/D3	AW9	
4	IO_L05_4/No_Pair	AN11	
4	IO_L06N_4/VRP_4	AR10	
4	IO_L06P_4/VRN_4	AP10	
4	IO_L07N_4	AU10	
4	IO_L07P_4/VREF_4	AT10	
4	IO_L08N_4	AV10	
4	IO_L08P_4	AW10	
4	IO_L09N_4	AR11	
4	IO_L09P_4/VREF_4	AP11	
4	IO_L19N_4	AV11	
4	IO_L19P_4	AU11	
4	IO_L20N_4	AY10	

Table 8: EF1704, and FF1704 — XQ2VP70 (Cont'd)

Bank	Pin Description	Pin Number	No Connects
4	IO_L20P_4	AY11	
4	IO_L21N_4	AN12	
4	IO_L21P_4	AM12	
4	IO_L25N_4	AR12	
4	IO_L25P_4	AP12	
4	IO_L26N_4	AT12	
4	IO_L26P_4	AU12	
4	IO_L27N_4	AW12	
4	IO_L27P_4/VREF_4	AV12	
4	IO_L28N_4	AM13	
4	IO_L28P_4	AL13	
4	IO_L29N_4	AP13	
4	IO_L29P_4	AN13	
4	IO_L30N_4	AT13	
4	IO_L30P_4	AR13	
4	IO_L34N_4	AV13	
4	IO_L34P_4	AU13	
4	IO_L35N_4	AW13	
4	IO_L35P_4	AY13	
4	IO_L36N_4	AL15	
4	IO_L36P_4/VREF_4	AL14	
4	IO_L78N_4	AN14	NC
4	IO_L78P_4	AM14	NC
4	IO_L83_4/No_Pair	AR14	NC
4	IO_L84N_4	AU14	NC
4	IO_L84P_4	AT14	NC
4	IO_L85N_4	AW14	NC
4	IO_L85P_4	AV14	NC
4	IO_L86N_4	AM15	NC
4	IO_L86P_4	AN15	NC
4	IO_L87N_4	AR15	NC
4	IO_L87P_4/VREF_4	AP15	NC
4	IO_L37N_4	AV15	
4	IO_L37P_4	AU15	
4	IO_L38N_4	AY14	
4	IO_L38P_4	AY15	
4	IO_L39N_4	AM16	
4	IO_L39P_4	AL16	
4	IO_L43N_4	AP16	
4	IO_L43P_4	AN16	
4	IO_L44N_4	AR16	
4	IO_L44P_4	AT16	

Table 8: EF1704, and FF1704 — XQ2VP70 (Cont'd)

Bank	Pin Description	Pin Number	No Connects
4	IO_L45N_4	AV16	
4	IO_L45P_4/VREF_4	AU16	
4	IO_L46N_4	AL18	
4	IO_L46P_4	AL17	
4	IO_L47N_4	AM17	
4	IO_L47P_4	AN17	
4	IO_L48N_4	AR17	
4	IO_L48P_4	AP17	
4	IO_L49N_4	AU17	
4	IO_L49P_4	AT17	
4	IO_L50_4/No_Pair	AW16	
4	IO_L53_4/No_Pair	AW17	
4	IO_L54N_4	AN18	
4	IO_L54P_4	AM18	
4	IO_L55N_4	AT18	
4	IO_L55P_4	AR18	
4	IO_L56N_4	AV17	
4	IO_L56P_4	AV18	
4	IO_L57N_4	AY18	
4	IO_L57P_4/VREF_4	AY17	
4	IO_L58N_4	AM19	
4	IO_L58P_4	AL19	
4	IO_L59N_4	AP19	
4	IO_L59P_4	AN19	
4	IO_L60N_4	AT19	
4	IO_L60P_4	AR19	
4	IO_L64N_4	AV19	
4	IO_L64P_4	AU19	
4	IO_L65N_4	AW19	
4	IO_L65P_4	AY19	
4	IO_L66N_4	AL21	
4	IO_L66P_4/VREF_4	AL20	
4	IO_L67N_4	AN20	
4	IO_L67P_4	AM20	
4	IO_L68N_4	AP20	
4	IO_L68P_4	AR20	
4	IO_L69N_4	AV20	
4	IO_L69P_4/VREF_4	AU20	
4	IO_L73N_4	AY20	
4	IO_L73P_4	AW20	
4	IO_L74N_4/GCLK3S	AN21	
4	IO_L74P_4/GCLK2P	AP21	

Table 8: EF1704, and FF1704 — XQ2VP70 (Cont'd)

Bank	Pin Description	Pin Number	No Connects
4	IO_L75N_4/GCLK1S	AU21	
4	IO_L75P_4/GCLK0P	AT21	
5	IO_L75N_5/GCLK7S	AT22	
5	IO_L75P_5/GCLK6P	AU22	
5	IO_L74N_5/GCLK5S	AP22	
5	IO_L74P_5/GCLK4P	AN22	
5	IO_L73N_5	AW23	
5	IO_L73P_5	AY23	
5	IO_L69N_5/VREF_5	AU23	
5	IO_L69P_5	AV23	
5	IO_L68N_5	AR23	
5	IO_L68P_5	AP23	
5	IO_L67N_5	AM23	
5	IO_L67P_5	AN23	
5	IO_L66N_5/VREF_5	AL23	
5	IO_L66P_5	AL22	
5	IO_L65N_5	AY24	
5	IO_L65P_5	AW24	
5	IO_L64N_5	AU24	
5	IO_L64P_5	AV24	
5	IO_L60N_5	AR24	
5	IO_L60P_5	AT24	
5	IO_L59N_5	AN24	
5	IO_L59P_5	AP24	
5	IO_L58N_5	AL24	
5	IO_L58P_5	AM24	
5	IO_L57N_5/VREF_5	AY26	
5	IO_L57P_5	AY25	
5	IO_L56N_5	AV25	
5	IO_L56P_5	AV26	
5	IO_L55N_5	AR25	
5	IO_L55P_5	AT25	
5	IO_L54N_5	AM25	
5	IO_L54P_5	AN25	
5	IO_L53_5/No_Pair	AW26	
5	IO_L50_5/No_Pair	AW27	
5	IO_L49N_5	AT26	
5	IO_L49P_5	AU26	
5	IO_L48N_5	AP26	
5	IO_L48P_5	AR26	
5	IO_L47N_5	AN26	

*Table 8: EF1704, and FF1704 — XQ2VP70 (Cont'd)*

Bank	Pin Description	Pin Number	No Connects
5	IO_L47P_5	AM26	
5	IO_L46N_5	AL26	
5	IO_L46P_5	AL25	
5	IO_L45N_5/VREF_5	AU27	
5	IO_L45P_5	AV27	
5	IO_L44N_5	AT27	
5	IO_L44P_5	AR27	
5	IO_L43N_5	AN27	
5	IO_L43P_5	AP27	
5	IO_L39N_5	AL27	
5	IO_L39P_5	AM27	
5	IO_L38N_5	AY28	
5	IO_L38P_5	AY29	
5	IO_L37N_5	AU28	
5	IO_L37P_5	AV28	
5	IO_L87N_5/VREF_5	AP28	NC
5	IO_L87P_5	AR28	NC
5	IO_L86N_5	AN28	NC
5	IO_L86P_5	AM28	NC
5	IO_L85N_5	AV29	NC
5	IO_L85P_5	AW29	NC
5	IO_L84N_5	AT29	NC
5	IO_L84P_5	AU29	NC
5	IO_L83_5/No_Pair	AR29	NC
5	IO_L78N_5	AM29	NC
5	IO_L78P_5	AN29	NC
5	IO_L36N_5/VREF_5	AL29	
5	IO_L36P_5	AL28	
5	IO_L35N_5	AY30	
5	IO_L35P_5	AW30	
5	IO_L34N_5	AU30	
5	IO_L34P_5	AV30	
5	IO_L30N_5	AR30	
5	IO_L30P_5	AT30	
5	IO_L29N_5	AN30	
5	IO_L29P_5	AP30	
5	IO_L28N_5	AL30	
5	IO_L28P_5	AM30	
5	IO_L27N_5/VREF_5	AV31	
5	IO_L27P_5	AW31	
5	IO_L26N_5	AU31	
5	IO_L26P_5	AT31	

Table 8: EF1704, and FF1704 — XQ2VP70 (Cont'd)

Bank	Pin Description	Pin Number	No Connects
5	IO_L25N_5	AP31	
5	IO_L25P_5	AR31	
5	IO_L21N_5	AM31	
5	IO_L21P_5	AN31	
5	IO_L20N_5	AY32	
5	IO_L20P_5	AY33	
5	IO_L19N_5	AU32	
5	IO_L19P_5	AV32	
5	IO_L09N_5/VREF_5	AP32	
5	IO_L09P_5	AR32	
5	IO_L08N_5	AW33	
5	IO_L08P_5	AV33	
5	IO_L07N_5/VREF_5	AT33	
5	IO_L07P_5	AU33	
5	IO_L06N_5/VRP_5	AP33	
5	IO_L06P_5/VRN_5	AR33	
5	IO_L05_5/No_Pair	AN32	
5	IO_L03N_5/D4	AW34	
5	IO_L03P_5/D5	AY34	
5	IO_L02N_5/D6	AV34	
5	IO_L02P_5/D7	AU34	
5	IO_L01N_5/RDWR_B	AR34	
5	IO_L01P_5/CS_B	AT34	
6	IO_L01P_6/VRN_6	AW37	
6	IO_L01N_6/VRP_6	AV37	
6	IO_L02P_6	AW36	
6	IO_L02N_6	AV36	
6	IO_L03P_6	AY37	
6	IO_L03N_6/VREF_6	AY38	
6	IO_L04P_6	AU36	
6	IO_L04N_6	AT37	
6	IO_L05P_6	AU35	
6	IO_L05N_6	AT35	
6	IO_L06P_6	AW41	
6	IO_L06N_6	AW42	
6	IO_L73P_6	AV41	
6	IO_L73N_6	AV42	
6	IO_L74P_6	AW40	
6	IO_L74N_6	AV40	
6	IO_L75P_6	AU39	
6	IO_L75N_6/VREF_6	AU40	

Table 8: EF1704, and FF1704 — XQ2VP70 (Cont'd)

Bank	Pin Description	Pin Number	No Connects
6	IO_L76P_6	AU41	
6	IO_L76N_6	AU42	
6	IO_L77P_6	AT39	
6	IO_L77N_6	AT40	
6	IO_L78P_6	AT41	
6	IO_L78N_6	AT42	
6	IO_L79P_6	AR38	
6	IO_L79N_6	AR39	
6	IO_L80P_6	AR37	
6	IO_L80N_6	AT38	
6	IO_L81P_6	AR40	
6	IO_L81N_6/VREF_6	AR41	
6	IO_L82P_6	AP36	
6	IO_L82N_6	AP37	
6	IO_L83P_6	AP35	
6	IO_L83N_6	AR36	
6	IO_L84P_6	AP38	
6	IO_L84N_6	AP39	
6	IO_L07P_6	AP41	
6	IO_L07N_6	AP42	
6	IO_L08P_6	AN35	
6	IO_L08N_6	AN36	
6	IO_L09P_6	AN37	
6	IO_L09N_6/VREF_6	AN38	
6	IO_L10P_6	AN41	
6	IO_L10N_6	AN42	
6	IO_L11P_6	AM33	
6	IO_L11N_6	AN34	
6	IO_L12P_6	AM36	
6	IO_L12N_6	AM37	
6	IO_L13P_6	AM38	
6	IO_L13N_6	AM39	
6	IO_L14P_6	AM34	
6	IO_L14N_6	AM35	
6	IO_L15P_6	AN40	
6	IO_L15N_6/VREF_6	AM40	
6	IO_L16P_6	AM41	
6	IO_L16N_6	AM42	
6	IO_L17P_6	AL33	
6	IO_L17N_6	AL34	
6	IO_L18P_6	AL35	
6	IO_L18N_6	AL36	

Table 8: EF1704, and FF1704 — XQ2VP70 (Cont'd)

Bank	Pin Description	Pin Number	No Connects
6	IO_L19P_6	AL38	
6	IO_L19N_6	AL39	
6	IO_L20P_6	AL31	
6	IO_L20N_6	AL32	
6	IO_L21P_6	AL40	
6	IO_L21N_6/VREF_6	AL41	
6	IO_L22P_6	AK35	
6	IO_L22N_6	AK36	
6	IO_L23P_6	AK33	
6	IO_L23N_6	AK34	
6	IO_L24P_6	AK37	
6	IO_L24N_6	AK38	
6	IO_L25P_6	AK39	
6	IO_L25N_6	AK40	
6	IO_L26P_6	AK31	
6	IO_L26N_6	AK32	
6	IO_L27P_6	AK41	
6	IO_L27N_6/VREF_6	AK42	
6	IO_L28P_6	AJ35	
6	IO_L28N_6	AJ36	
6	IO_L29P_6	AJ33	
6	IO_L29N_6	AJ34	
6	IO_L30P_6	AJ37	
6	IO_L30N_6	AJ38	
6	IO_L31P_6	AJ41	
6	IO_L31N_6	AJ42	
6	IO_L32P_6	AJ31	
6	IO_L32N_6	AJ32	
6	IO_L33P_6	AH33	
6	IO_L33N_6/VREF_6	AH34	
6	IO_L34P_6	AH37	
6	IO_L34N_6	AH38	
6	IO_L35P_6	AH31	
6	IO_L35N_6	AH32	
6	IO_L36P_6	AJ40	
6	IO_L36N_6	AH40	
6	IO_L37P_6	AH41	
6	IO_L37N_6	AH42	
6	IO_L38P_6	AH35	
6	IO_L38N_6	AG35	
6	IO_L39P_6	AG36	
6	IO_L39N_6/VREF_6	AG37	



Table 8: EF1704, and FF1704 — XQ2VP70 (Cont'd)

Bank	Pin Description	Pin Number	No Connects
6	IO_L40P_6	AG38	
6	IO_L40N_6	AG39	
6	IO_L41P_6	AG32	
6	IO_L41N_6	AG33	
6	IO_L42P_6	AG40	
6	IO_L42N_6	AG41	
6	IO_L43P_6	AF33	
6	IO_L43N_6	AF34	
6	IO_L44P_6	AF35	
6	IO_L44N_6	AF36	
6	IO_L45P_6	AF37	
6	IO_L45N_6/VREF_6	AF38	
6	IO_L46P_6	AF39	
6	IO_L46N_6	AF40	
6	IO_L47P_6	AF31	
6	IO_L47N_6	AG31	
6	IO_L48P_6	AF41	
6	IO_L48N_6	AF42	
6	IO_L49P_6	AE35	
6	IO_L49N_6	AE36	
6	IO_L50P_6	AE31	
6	IO_L50N_6	AF32	
6	IO_L51P_6	AE38	
6	IO_L51N_6/VREF_6	AE39	
6	IO_L52P_6	AE41	
6	IO_L52N_6	AE42	
6	IO_L53P_6	AE32	
6	IO_L53N_6	AE33	
6	IO_L54P_6	AD35	
6	IO_L54N_6	AD36	
6	IO_L55P_6	AD37	
6	IO_L55N_6	AD38	
6	IO_L56P_6	AD31	
6	IO_L56N_6	AD32	
6	IO_L57P_6	AD39	
6	IO_L57N_6/VREF_6	AD40	
6	IO_L58P_6	AD41	
6	IO_L58N_6	AD42	
6	IO_L59P_6	AD33	
6	IO_L59N_6	AD34	
6	IO_L60P_6	AC33	
6	IO_L60N_6	AC34	

Table 8: EF1704, and FF1704 — XQ2VP70 (Cont'd)

Bank	Pin Description	Pin Number	No Connects
6	IO_L85P_6	AC36	
6	IO_L85N_6	AC37	
6	IO_L86P_6	AC31	
6	IO_L86N_6	AC32	
6	IO_L87P_6	AC39	
6	IO_L87N_6/VREF_6	AC40	
6	IO_L88P_6	AB33	
6	IO_L88N_6	AB34	
6	IO_L89P_6	AB36	
6	IO_L89N_6	AB37	
6	IO_L90P_6	AB39	
6	IO_L90N_6	AB40	
7	IO_L90P_7	AA39	
7	IO_L90N_7	AA40	
7	IO_L89P_7	AB31	
7	IO_L89N_7	AA31	
7	IO_L88P_7	AA36	
7	IO_L88N_7/VREF_7	AA37	
7	IO_L87P_7	AA33	
7	IO_L87N_7	AA34	
7	IO_L86P_7	Y31	
7	IO_L86N_7	Y32	
7	IO_L85P_7	Y39	
7	IO_L85N_7	Y40	
7	IO_L60P_7	Y36	
7	IO_L60N_7	Y37	
7	IO_L59P_7	Y33	
7	IO_L59N_7	Y34	
7	IO_L58P_7	W41	
7	IO_L58N_7/VREF_7	W42	
7	IO_L57P_7	W39	
7	IO_L57N_7	W40	
7	IO_L56P_7	W31	
7	IO_L56N_7	W32	
7	IO_L55P_7	W37	
7	IO_L55N_7	W38	
7	IO_L54P_7	W35	
7	IO_L54N_7	W36	
7	IO_L53P_7	W33	
7	IO_L53N_7	W34	
7	IO_L52P_7	V41	

Table 8: EF1704, and FF1704 — XQ2VP70 (Cont'd)

Bank	Pin Description	Pin Number	No Connects
7	IO_L52N_7/VREF_7	V42	
7	IO_L51P_7	V38	
7	IO_L51N_7	V39	
7	IO_L50P_7	V31	
7	IO_L50N_7	U32	
7	IO_L49P_7	V35	
7	IO_L49N_7	V36	
7	IO_L48P_7	V32	
7	IO_L48N_7	V33	
7	IO_L47P_7	U31	
7	IO_L47N_7	T31	
7	IO_L46P_7	U41	
7	IO_L46N_7/VREF_7	U42	
7	IO_L45P_7	U39	
7	IO_L45N_7	U40	
7	IO_L44P_7	U33	
7	IO_L44N_7	U34	
7	IO_L43P_7	U37	
7	IO_L43N_7	U38	
7	IO_L42P_7	U35	
7	IO_L42N_7	U36	
7	IO_L41P_7	T32	
7	IO_L41N_7	T33	
7	IO_L40P_7	T40	
7	IO_L40N_7/VREF_7	T41	
7	IO_L39P_7	T38	
7	IO_L39N_7	T39	
7	IO_L38P_7	R35	
7	IO_L38N_7	T35	
7	IO_L37P_7	T36	
7	IO_L37N_7	T37	
7	IO_L36P_7	R31	
7	IO_L36N_7	R32	
7	IO_L35P_7	R41	
7	IO_L35N_7	R42	
7	IO_L34P_7	R40	
7	IO_L34N_7/VREF_7	P40	
7	IO_L33P_7	R37	
7	IO_L33N_7	R38	
7	IO_L32P_7	R33	
7	IO_L32N_7	R34	
7	IO_L31P_7	P41	

Table 8: EF1704, and FF1704 — XQ2VP70 (Cont'd)

Bank	Pin Description	Pin Number	No Connects
7	IO_L31N_7	P42	
7	IO_L30P_7	P37	
7	IO_L30N_7	P38	
7	IO_L29P_7	P31	
7	IO_L29N_7	P32	
7	IO_L28P_7	P35	
7	IO_L28N_7/VREF_7	P36	
7	IO_L27P_7	P33	
7	IO_L27N_7	P34	
7	IO_L26P_7	N31	
7	IO_L26N_7	N32	
7	IO_L25P_7	N41	
7	IO_L25N_7	N42	
7	IO_L24P_7	N39	
7	IO_L24N_7	N40	
7	IO_L23P_7	N33	
7	IO_L23N_7	N34	
7	IO_L22P_7	N37	
7	IO_L22N_7/VREF_7	N38	
7	IO_L21P_7	N35	
7	IO_L21N_7	N36	
7	IO_L20P_7	M38	
7	IO_L20N_7	M39	
7	IO_L19P_7	M40	
7	IO_L19N_7	M41	
7	IO_L18P_7	M33	
7	IO_L18N_7	M34	
7	IO_L17P_7	M31	
7	IO_L17N_7	M32	
7	IO_L16P_7	M35	
7	IO_L16N_7/VREF_7	M36	
7	IO_L15P_7	L41	
7	IO_L15N_7	L42	
7	IO_L14P_7	L39	
7	IO_L14N_7	L38	
7	IO_L13P_7	L40	
7	IO_L13N_7	K40	
7	IO_L12P_7	L36	
7	IO_L12N_7	L37	
7	IO_L11P_7	L34	
7	IO_L11N_7	L35	
7	IO_L10P_7	K42	

Table 8: EF1704, and FF1704 — XQ2VP70 (Cont'd)

Bank	Pin Description	Pin Number	No Connects
7	IO_L10N_7/VREF_7	K41	
7	IO_L09P_7	K36	
7	IO_L09N_7	K35	
7	IO_L08P_7	K38	
7	IO_L08N_7	K37	
7	IO_L07P_7	L33	
7	IO_L07N_7	K34	
7	IO_L84P_7	J41	
7	IO_L84N_7	J42	
7	IO_L83P_7	J39	
7	IO_L83N_7	J38	
7	IO_L82P_7	J36	
7	IO_L82N_7/VREF_7	J37	
7	IO_L81P_7	J35	
7	IO_L81N_7	H36	
7	IO_L80P_7	H41	
7	IO_L80N_7	H40	
7	IO_L79P_7	H38	
7	IO_L79N_7	H39	
7	IO_L78P_7	H37	
7	IO_L78N_7	G38	
7	IO_L77P_7	G42	
7	IO_L77N_7	G41	
7	IO_L76P_7	G39	
7	IO_L76N_7/VREF_7	G40	
7	IO_L75P_7	F41	
7	IO_L75N_7	F42	
7	IO_L74P_7	F40	
7	IO_L74N_7	F39	
7	IO_L73P_7	E41	
7	IO_L73N_7	E42	
7	IO_L06P_7	D41	
7	IO_L06N_7	D42	
7	IO_L05P_7	E40	
7	IO_L05N_7	D40	
7	IO_L04P_7	F36	
7	IO_L04N_7/VREF_7	G37	
7	IO_L03P_7	D37	
7	IO_L03N_7	E37	
7	IO_L02P_7	D36	
7	IO_L02N_7	E36	
7	IO_L01P_7/VRN_7	C37	

Table 8: EF1704, and FF1704 — XQ2VP70 (Cont'd)

Bank	Pin Description	Pin Number	No Connects
7	IO_L01N_7/VRP_7	C38	
0	VCCO_0	D25	
0	VCCO_0	G23	
0	VCCO_0	G28	
0	VCCO_0	G32	
0	VCCO_0	J25	
0	VCCO_0	J29	
0	VCCO_0	P22	
0	VCCO_0	P23	
0	VCCO_0	P24	
0	VCCO_0	P25	
0	VCCO_0	P26	
0	VCCO_0	R22	
0	VCCO_0	R23	
0	VCCO_0	R24	
0	VCCO_0	R25	
1	VCCO_1	R21	
1	VCCO_1	R20	
1	VCCO_1	R19	
1	VCCO_1	R18	
1	VCCO_1	P21	
1	VCCO_1	P20	
1	VCCO_1	P19	
1	VCCO_1	P18	
1	VCCO_1	P17	
1	VCCO_1	J18	
1	VCCO_1	J14	
1	VCCO_1	G20	
1	VCCO_1	G15	
1	VCCO_1	G11	
1	VCCO_1	D18	
2	VCCO_2	AA15	
2	VCCO_2	AA14	
2	VCCO_2	Y15	
2	VCCO_2	Y14	
2	VCCO_2	Y8	
2	VCCO_2	Y5	
2	VCCO_2	W15	
2	VCCO_2	W14	
2	VCCO_2	V15	
2	VCCO_2	V14	

**Table 8: EF1704, and FF1704 — XQ2VP70 (Cont'd)**

Bank	Pin Description	Pin Number	No Connects
2	VCCO_2	V3	
2	VCCO_2	U15	
2	VCCO_2	U14	
2	VCCO_2	T15	
2	VCCO_2	T14	
2	VCCO_2	R14	
2	VCCO_2	T9	
2	VCCO_2	P4	
2	VCCO_2	M6	
2	VCCO_2	J3	
2	VCCO_2	F5	
3	VCCO_3	AU5	
3	VCCO_3	AP3	
3	VCCO_3	AL6	
3	VCCO_3	AJ4	
3	VCCO_3	AH14	
3	VCCO_3	AG15	
3	VCCO_3	AG14	
3	VCCO_3	AG9	
3	VCCO_3	AF15	
3	VCCO_3	AF14	
3	VCCO_3	AE15	
3	VCCO_3	AE14	
3	VCCO_3	AE3	
3	VCCO_3	AD15	
3	VCCO_3	AD14	
3	VCCO_3	AC15	
3	VCCO_3	AC14	
3	VCCO_3	AC8	
3	VCCO_3	AC5	
3	VCCO_3	AB15	
3	VCCO_3	AB14	
4	VCCO_4	AW18	
4	VCCO_4	AT20	
4	VCCO_4	AT15	
4	VCCO_4	AT11	
4	VCCO_4	AP18	
4	VCCO_4	AP14	
4	VCCO_4	AJ21	
4	VCCO_4	AJ20	
4	VCCO_4	AJ19	
4	VCCO_4	AJ18	

Table 8: EF1704, and FF1704 — XQ2VP70 (Cont'd)

Bank	Pin Description	Pin Number	No Connects
4	VCCO_4	AJ17	
4	VCCO_4	AH21	
4	VCCO_4	AH20	
4	VCCO_4	AH19	
4	VCCO_4	AH18	
5	VCCO_5	AW25	
5	VCCO_5	AT32	
5	VCCO_5	AT28	
5	VCCO_5	AT23	
5	VCCO_5	AP29	
5	VCCO_5	AP25	
5	VCCO_5	AJ26	
5	VCCO_5	AJ25	
5	VCCO_5	AJ24	
5	VCCO_5	AJ23	
5	VCCO_5	AJ22	
5	VCCO_5	AH25	
5	VCCO_5	AH24	
5	VCCO_5	AH23	
5	VCCO_5	AH22	
6	VCCO_6	AU38	
6	VCCO_6	AP40	
6	VCCO_6	AL37	
6	VCCO_6	AJ39	
6	VCCO_6	AH29	
6	VCCO_6	AG34	
6	VCCO_6	AG29	
6	VCCO_6	AG28	
6	VCCO_6	AF29	
6	VCCO_6	AF28	
6	VCCO_6	AE40	
6	VCCO_6	AE29	
6	VCCO_6	AE28	
6	VCCO_6	AD29	
6	VCCO_6	AD28	
6	VCCO_6	AC38	
6	VCCO_6	AC35	
6	VCCO_6	AC29	
6	VCCO_6	AC28	
6	VCCO_6	AB29	
6	VCCO_6	AB28	
7	VCCO_7	AA29	



Table 8: EF1704, and FF1704 — XQ2VP70 (Cont'd)

Bank	Pin Description	Pin Number	No Connects
7	VCCO_7	AA28	
7	VCCO_7	Y38	
7	VCCO_7	Y35	
7	VCCO_7	Y29	
7	VCCO_7	Y28	
7	VCCO_7	W29	
7	VCCO_7	W28	
7	VCCO_7	V40	
7	VCCO_7	V29	
7	VCCO_7	V28	
7	VCCO_7	U29	
7	VCCO_7	U28	
7	VCCO_7	T34	
7	VCCO_7	T29	
7	VCCO_7	T28	
7	VCCO_7	R29	
7	VCCO_7	P39	
7	VCCO_7	M37	
7	VCCO_7	J40	
7	VCCO_7	F38	
N/A	CCLK	AY7	
N/A	PROG_B	G35	
N/A	DONE	AW8	
N/A	M0	AV35	
N/A	M1	AY36	
N/A	M2	AW35	
N/A	TCK	G8	
N/A	TDI	C36	
N/A	TDO	C7	
N/A	TMS	F8	
N/A	PWRDWN_B	AV8	
N/A	HSWAP_EN	F35	
N/A	RSVD	D8	
N/A	VBATT	E8	
N/A	DXP	E35	
N/A	DXN	D35	
N/A	AVCCAUXTX2	B40	
N/A	VTTXPAD2	B41	
N/A	TXNPAD2	A41	
N/A	TXPPAD2	A40	
N/A	GNDA2	C39	

Table 8: EF1704, and FF1704 — XQ2VP70 (Cont'd)

Bank	Pin Description	Pin Number	No Connects
N/A	RXPPAD2	A39	
N/A	RXNPAD2	A38	
N/A	VTRXPAD2	B39	
N/A	AVCCAUXR2	B38	
N/A	AVCCAUXTX3	B36	
N/A	VTTXPAD3	B37	
N/A	TXNPAD3	A37	
N/A	TXPPAD3	A36	
N/A	GND3	C35	
N/A	RXPPAD3	A35	
N/A	RXNPAD3	A34	
N/A	VTRXPAD3	B35	
N/A	AVCCAUXR3	B34	
N/A	AVCCAUXTX4	B32	
N/A	VTTXPAD4	B33	
N/A	TXNPAD4	A33	
N/A	TXPPAD4	A32	
N/A	GND4	C31	
N/A	RXPPAD4	A31	
N/A	RXNPAD4	A30	
N/A	VTRXPAD4	B31	
N/A	AVCCAUXR4	B30	
N/A	AVCCAUXTX5	B28	
N/A	VTTXPAD5	B29	
N/A	TXNPAD5	A29	
N/A	TXPPAD5	A28	
N/A	GND5	C27	
N/A	RXPPAD5	A27	
N/A	RXNPAD5	A26	
N/A	VTRXPAD5	B27	
N/A	AVCCAUXR5	B26	
N/A	AVCCAUXTX6	B24	
N/A	VTTXPAD6	B25	
N/A	TXNPAD6	A25	
N/A	TXPPAD6	A24	
N/A	GND6	C22	
N/A	RXPPAD6	A23	
N/A	RXNPAD6	A22	
N/A	VTRXPAD6	B23	
N/A	AVCCAUXR6	B22	
N/A	AVCCAUXTX7	B20	
N/A	VTTXPAD7	B21	

Table 8: EF1704, and FF1704 — XQ2VP70 (Cont'd)

Bank	Pin Description	Pin Number	No Connects
N/A	TXNPAD7	A21	
N/A	TXPPAD7	A20	
N/A	GND A7	C21	
N/A	RXPPAD7	A19	
N/A	RXNPAD7	A18	
N/A	VTRXPAD7	B19	
N/A	AVCCAUXRX7	B18	
N/A	AVCCAUXTX8	B16	
N/A	VTTXPAD8	B17	
N/A	TXNPAD8	A17	
N/A	TXPPAD8	A16	
N/A	GND A8	C16	
N/A	RXPPAD8	A15	
N/A	RXNPAD8	A14	
N/A	VTRXPAD8	B15	
N/A	AVCCAUXRX8	B14	
N/A	AVCCAUXTX9	B12	
N/A	VTTXPAD9	B13	
N/A	TXNPAD9	A13	
N/A	TXPPAD9	A12	
N/A	GND A9	C12	
N/A	RXPPAD9	A11	
N/A	RXNPAD9	A10	
N/A	VTRXPAD9	B11	
N/A	AVCCAUXRX9	B10	
N/A	AVCCAUXTX10	B8	
N/A	VTTXPAD10	B9	
N/A	TXNPAD10	A9	
N/A	TXPPAD10	A8	
N/A	GND A10	C8	
N/A	RXPPAD10	A7	
N/A	RXNPAD10	A6	
N/A	VTRXPAD10	B7	
N/A	AVCCAUXRX10	B6	
N/A	AVCCAUXTX11	B4	
N/A	VTTXPAD11	B5	
N/A	TXNPAD11	A5	
N/A	TXPPAD11	A4	
N/A	GND A11	C4	
N/A	RXPPAD11	A3	
N/A	RXNPAD11	A2	
N/A	VTRXPAD11	B3	

*Table 8: EF1704, and FF1704 — XQ2VP70 (Cont'd)*

Bank	Pin Description	Pin Number	No Connects
N/A	AVCCAUXRX11	B2	
N/A	AVCCAUXRX14	BA2	
N/A	VTRXPAD14	BA3	
N/A	RXNPAD14	BB2	
N/A	RXPPAD14	BB3	
N/A	GNDA14	AY4	
N/A	TXPPAD14	BB4	
N/A	TXNPAD14	BB5	
N/A	VTTXPAD14	BA5	
N/A	AVCCAUXTX14	BA4	
N/A	AVCCAUXRX15	BA6	
N/A	VTRXPAD15	BA7	
N/A	RXNPAD15	BB6	
N/A	RXPPAD15	BB7	
N/A	GNDA15	AY8	
N/A	TXPPAD15	BB8	
N/A	TXNPAD15	BB9	
N/A	VTTXPAD15	BA9	
N/A	AVCCAUXTX15	BA8	
N/A	AVCCAUXRX16	BA10	
N/A	VTRXPAD16	BA11	
N/A	RXNPAD16	BB10	
N/A	RXPPAD16	BB11	
N/A	GNDA16	AY12	
N/A	TXPPAD16	BB12	
N/A	TXNPAD16	BB13	
N/A	VTTXPAD16	BA13	
N/A	AVCCAUXTX16	BA12	
N/A	AVCCAUXRX17	BA14	
N/A	VTRXPAD17	BA15	
N/A	RXNPAD17	BB14	
N/A	RXPPAD17	BB15	
N/A	GNDA17	AY16	
N/A	TXPPAD17	BB16	
N/A	TXNPAD17	BB17	
N/A	VTTXPAD17	BA17	
N/A	AVCCAUXTX17	BA16	
N/A	AVCCAUXRX18	BA18	
N/A	VTRXPAD18	BA19	
N/A	RXNPAD18	BB18	
N/A	RXPPAD18	BB19	
N/A	GNDA18	AY21	

Table 8: EF1704, and FF1704 — XQ2VP70 (Cont'd)

Bank	Pin Description	Pin Number	No Connects
N/A	TXPPAD18	BB20	
N/A	TXNPAD18	BB21	
N/A	VTTXPAD18	BA21	
N/A	AVCCAUXTX18	BA20	
N/A	AVCCAUXRX19	BA22	
N/A	VTRXPAD19	BA23	
N/A	RXNPAD19	BB22	
N/A	RXPPAD19	BB23	
N/A	GND A19	AY22	
N/A	TXPPAD19	BB24	
N/A	TXNPAD19	BB25	
N/A	VTTXPAD19	BA25	
N/A	AVCCAUXTX19	BA24	
N/A	AVCCAUXRX20	BA26	
N/A	VTRXPAD20	BA27	
N/A	RXNPAD20	BB26	
N/A	RXPPAD20	BB27	
N/A	GND A20	AY27	
N/A	TXPPAD20	BB28	
N/A	TXNPAD20	BB29	
N/A	VTTXPAD20	BA29	
N/A	AVCCAUXTX20	BA28	
N/A	AVCCAUXRX21	BA30	
N/A	VTRXPAD21	BA31	
N/A	RXNPAD21	BB30	
N/A	RXPPAD21	BB31	
N/A	GND A21	AY31	
N/A	TXPPAD21	BB32	
N/A	TXNPAD21	BB33	
N/A	VTTXPAD21	BA33	
N/A	AVCCAUXTX21	BA32	
N/A	AVCCAUXRX22	BA34	
N/A	VTRXPAD22	BA35	
N/A	RXNPAD22	BB34	
N/A	RXPPAD22	BB35	
N/A	GND A22	AY35	
N/A	TXPPAD22	BB36	
N/A	TXNPAD22	BB37	
N/A	VTTXPAD22	BA37	
N/A	AVCCAUXTX22	BA36	
N/A	AVCCAUXRX23	BA38	
N/A	VTRXPAD23	BA39	

**Table 8: EF1704, and FF1704 — XQ2VP70 (Cont'd)**

<b>Bank</b>	<b>Pin Description</b>	<b>Pin Number</b>	<b>No Connects</b>
N/A	RXNPAD23	BB38	
N/A	RXPPAD23	BB39	
N/A	GND23	AY39	
N/A	TXPPAD23	BB40	
N/A	TXNPAD23	BB41	
N/A	VTTXPAD23	BA41	
N/A	AVCCAUXTX23	BA40	
N/A	VCCINT	AB27	
N/A	VCCINT	AB16	
N/A	VCCINT	AC27	
N/A	VCCINT	AC16	
N/A	VCCINT	AD27	
N/A	VCCINT	AD16	
N/A	VCCINT	AE27	
N/A	VCCINT	AE16	
N/A	VCCINT	AF27	
N/A	VCCINT	AF26	
N/A	VCCINT	AF17	
N/A	VCCINT	AF16	
N/A	VCCINT	AG27	
N/A	VCCINT	AG26	
N/A	VCCINT	AG25	
N/A	VCCINT	AG24	
N/A	VCCINT	AG23	
N/A	VCCINT	AG22	
N/A	VCCINT	AG21	
N/A	VCCINT	AG20	
N/A	VCCINT	AG19	
N/A	VCCINT	AG18	
N/A	VCCINT	AG17	
N/A	VCCINT	AG16	
N/A	VCCINT	AH28	
N/A	VCCINT	AH27	
N/A	VCCINT	AH26	
N/A	VCCINT	AH17	
N/A	VCCINT	AH16	
N/A	VCCINT	AH15	
N/A	VCCINT	AJ29	
N/A	VCCINT	AJ28	
N/A	VCCINT	AJ27	
N/A	VCCINT	AJ16	

Table 8: EF1704, and FF1704 — XQ2VP70 (Cont'd)

Bank	Pin Description	Pin Number	No Connects
N/A	VCCINT	AJ15	
N/A	VCCINT	AJ14	
N/A	VCCINT	AK30	
N/A	VCCINT	AK13	
N/A	VCCINT	AA27	
N/A	VCCINT	AA16	
N/A	VCCINT	Y27	
N/A	VCCINT	Y16	
N/A	VCCINT	W27	
N/A	VCCINT	W16	
N/A	VCCINT	V27	
N/A	VCCINT	V16	
N/A	VCCINT	U27	
N/A	VCCINT	U26	
N/A	VCCINT	U17	
N/A	VCCINT	U16	
N/A	VCCINT	T27	
N/A	VCCINT	T26	
N/A	VCCINT	T25	
N/A	VCCINT	T24	
N/A	VCCINT	T23	
N/A	VCCINT	T22	
N/A	VCCINT	T21	
N/A	VCCINT	T20	
N/A	VCCINT	T19	
N/A	VCCINT	T18	
N/A	VCCINT	T17	
N/A	VCCINT	T16	
N/A	VCCINT	R28	
N/A	VCCINT	R27	
N/A	VCCINT	R26	
N/A	VCCINT	R17	
N/A	VCCINT	R16	
N/A	VCCINT	R15	
N/A	VCCINT	P29	
N/A	VCCINT	P28	
N/A	VCCINT	P27	
N/A	VCCINT	P16	
N/A	VCCINT	P15	
N/A	VCCINT	P14	
N/A	VCCINT	N30	
N/A	VCCINT	N13	

Table 8: EF1704, and FF1704 — XQ2VP70 (Cont'd)

Bank	Pin Description	Pin Number	No Connects
N/A	VCCAUX	AB42	
N/A	VCCAUX	AB41	
N/A	VCCAUX	AB2	
N/A	VCCAUX	AB1	
N/A	VCCAUX	AC42	
N/A	VCCAUX	AC1	
N/A	VCCAUX	AM32	
N/A	VCCAUX	AM11	
N/A	VCCAUX	AN33	
N/A	VCCAUX	AN10	
N/A	VCCAUX	AV39	
N/A	VCCAUX	AV4	
N/A	VCCAUX	AW38	
N/A	VCCAUX	AW22	
N/A	VCCAUX	AW21	
N/A	VCCAUX	AW5	
N/A	VCCAUX	AA42	
N/A	VCCAUX	AA41	
N/A	VCCAUX	AA2	
N/A	VCCAUX	AA1	
N/A	VCCAUX	Y42	
N/A	VCCAUX	Y1	
N/A	VCCAUX	L32	
N/A	VCCAUX	L11	
N/A	VCCAUX	K33	
N/A	VCCAUX	K10	
N/A	VCCAUX	E39	
N/A	VCCAUX	E4	
N/A	VCCAUX	D38	
N/A	VCCAUX	D22	
N/A	VCCAUX	D21	
N/A	VCCAUX	D5	
N/A	GND	AB38	
N/A	GND	AB35	
N/A	GND	AB32	
N/A	GND	AB26	
N/A	GND	AB25	
N/A	GND	AB24	
N/A	GND	AB23	
N/A	GND	AB22	
N/A	GND	AB21	
N/A	GND	AB20	



Table 8: EF1704, and FF1704 — XQ2VP70 (Cont'd)

Bank	Pin Description	Pin Number	No Connects
N/A	GND	AB19	
N/A	GND	AB18	
N/A	GND	AB17	
N/A	GND	AB11	
N/A	GND	AB8	
N/A	GND	AB5	
N/A	GND	AC41	
N/A	GND	AC26	
N/A	GND	AC25	
N/A	GND	AC24	
N/A	GND	AC23	
N/A	GND	AC22	
N/A	GND	AC21	
N/A	GND	AC20	
N/A	GND	AC19	
N/A	GND	AC18	
N/A	GND	AC17	
N/A	GND	AC2	
N/A	GND	AD26	
N/A	GND	AD25	
N/A	GND	AD24	
N/A	GND	AD23	
N/A	GND	AD22	
N/A	GND	AD21	
N/A	GND	AD20	
N/A	GND	AD19	
N/A	GND	AD18	
N/A	GND	AD17	
N/A	GND	AE37	
N/A	GND	AE34	
N/A	GND	AE26	
N/A	GND	AE25	
N/A	GND	AE24	
N/A	GND	AE23	
N/A	GND	AE22	
N/A	GND	AE21	
N/A	GND	AE20	
N/A	GND	AE19	
N/A	GND	AE18	
N/A	GND	AE17	
N/A	GND	AE9	
N/A	GND	AE6	

Table 8: EF1704, and FF1704 — XQ2VP70 (Cont'd)

Bank	Pin Description	Pin Number	No Connects
N/A	GND	AF25	
N/A	GND	AF24	
N/A	GND	AF23	
N/A	GND	AF22	
N/A	GND	AF21	
N/A	GND	AF20	
N/A	GND	AF19	
N/A	GND	AF18	
N/A	GND	AG42	
N/A	GND	AG1	
N/A	GND	AH39	
N/A	GND	AH36	
N/A	GND	AH7	
N/A	GND	AH4	
N/A	GND	AL42	
N/A	GND	AL1	
N/A	GND	AM22	
N/A	GND	AM21	
N/A	GND	AN39	
N/A	GND	AN4	
N/A	GND	AP34	
N/A	GND	AP9	
N/A	GND	AR42	
N/A	GND	AR35	
N/A	GND	AR22	
N/A	GND	AR21	
N/A	GND	AR8	
N/A	GND	AR1	
N/A	GND	AT36	
N/A	GND	AT7	
N/A	GND	AU37	
N/A	GND	AU25	
N/A	GND	AU18	
N/A	GND	AU6	
N/A	GND	AV38	
N/A	GND	AV22	
N/A	GND	AV21	
N/A	GND	AV5	
N/A	GND	AW39	
N/A	GND	AW32	
N/A	GND	AW28	
N/A	GND	AW15	

*Table 8: EF1704, and FF1704 — XQ2VP70 (Cont'd)*

Bank	Pin Description	Pin Number	No Connects
N/A	GND	AW11	
N/A	GND	AW4	
N/A	GND	AY42	
N/A	GND	AY41	
N/A	GND	AY40	
N/A	GND	AY3	
N/A	GND	AY2	
N/A	GND	AY1	
N/A	GND	BA42	
N/A	GND	BA1	
N/A	GND	AA38	
N/A	GND	AA35	
N/A	GND	AA32	
N/A	GND	AA26	
N/A	GND	AA25	
N/A	GND	AA24	
N/A	GND	AA23	
N/A	GND	AA22	
N/A	GND	AA21	
N/A	GND	AA20	
N/A	GND	AA19	
N/A	GND	AA18	
N/A	GND	AA17	
N/A	GND	AA11	
N/A	GND	AA8	
N/A	GND	AA5	
N/A	GND	Y41	
N/A	GND	Y26	
N/A	GND	Y25	
N/A	GND	Y24	
N/A	GND	Y23	
N/A	GND	Y22	
N/A	GND	Y21	
N/A	GND	Y20	
N/A	GND	Y19	
N/A	GND	Y18	
N/A	GND	Y17	
N/A	GND	Y2	
N/A	GND	W26	
N/A	GND	W25	
N/A	GND	W24	
N/A	GND	W23	

*Table 8: EF1704, and FF1704 — XQ2VP70 (Cont'd)*

Bank	Pin Description	Pin Number	No Connects
N/A	GND	W22	
N/A	GND	W21	
N/A	GND	W20	
N/A	GND	W19	
N/A	GND	W18	
N/A	GND	W17	
N/A	GND	V37	
N/A	GND	V34	
N/A	GND	V26	
N/A	GND	V25	
N/A	GND	V24	
N/A	GND	V23	
N/A	GND	V22	
N/A	GND	V21	
N/A	GND	V20	
N/A	GND	V19	
N/A	GND	V18	
N/A	GND	V17	
N/A	GND	V9	
N/A	GND	V6	
N/A	GND	U25	
N/A	GND	U24	
N/A	GND	U23	
N/A	GND	U22	
N/A	GND	U21	
N/A	GND	U20	
N/A	GND	U19	
N/A	GND	U18	
N/A	GND	T42	
N/A	GND	T1	
N/A	GND	R39	
N/A	GND	R36	
N/A	GND	R7	
N/A	GND	R4	
N/A	GND	M42	
N/A	GND	M1	
N/A	GND	L22	
N/A	GND	L21	
N/A	GND	K39	
N/A	GND	K4	
N/A	GND	J34	
N/A	GND	J9	

Table 8: EF1704, and FF1704 — XQ2VP70 (Cont'd)

Bank	Pin Description	Pin Number	No Connects
N/A	GND	H42	
N/A	GND	H35	
N/A	GND	H22	
N/A	GND	H21	
N/A	GND	H8	
N/A	GND	H1	
N/A	GND	G36	
N/A	GND	G7	
N/A	GND	F37	
N/A	GND	F25	
N/A	GND	F18	
N/A	GND	F6	
N/A	GND	E38	
N/A	GND	E22	
N/A	GND	E21	
N/A	GND	E5	
N/A	GND	D39	
N/A	GND	D32	
N/A	GND	D28	
N/A	GND	D15	
N/A	GND	D11	
N/A	GND	D4	
N/A	GND	C42	
N/A	GND	C41	
N/A	GND	C40	
N/A	GND	C3	
N/A	GND	C2	
N/A	GND	C1	
N/A	GND	B42	
N/A	GND	B1	
N/A	GND	N14	
N/A	GND	N29	
N/A	GND	AK14	
N/A	GND	AK29	
N/A	GND	P13	
N/A	GND	P30	
N/A	GND	AJ13	
N/A	GND	AJ30	

**Notes:**

1. See [Table 4, page 2](#) for an explanation of the signals available on this pin.

EF1704, and FF1704 Flip-Chip Fine-Pitch BGA Package Specifications (1.00 mm pitch)

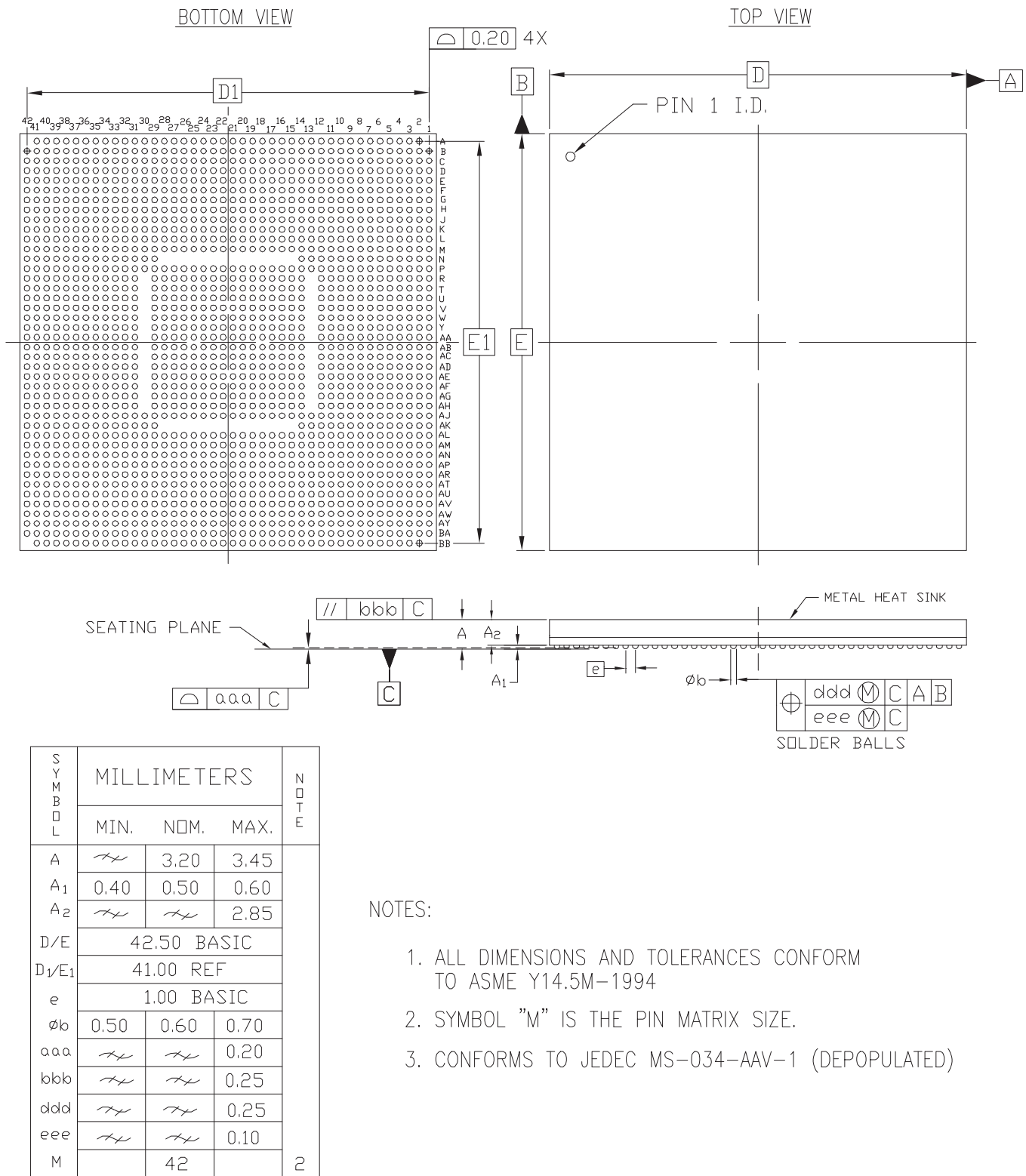


Figure 3: EF1704, and FF1704 Flip-Chip Fine-Pitch BGA Package Specifications

## Revision History

This section records the change history for this module of the data sheet.

Date	Version	Revision
11/29/06	1.0	Initial Xilinx release.
12/20/07	2.0	<ul style="list-style-type: none"> <li>• Change data sheet title.</li> <li>• Added support for XQ2VP70-6EF1704I.</li> <li>• Removed support for XQV2P70-6MF1704I.</li> <li>• Updated document template.</li> <li>• Updated URLs.</li> </ul>
07/25/11	2.1	Added <i>Product Not Recommended for New Designs</i> banner. Updated <a href="#">Figure 1, page 22</a> , with the newest FG676/FGG676 mechanical drawing.

## QPro Virtex-II Pro Data Sheet

The QPro Virtex-II Pro Data Sheet contains the following modules:

- ["Introduction and Overview" \(Module 1\)](#)
- ["Functional Description" \(Module 2\)](#)
- ["DC and Switching Characteristics" \(Module 3\)](#)
- ["Pinout Information" \(Module 4\)](#)

## Notice of Disclaimer

THE XILINX HARDWARE FPGA AND CPLD DEVICES REFERRED TO HEREIN ("PRODUCTS") ARE SUBJECT TO THE TERMS AND CONDITIONS OF THE XILINX LIMITED WARRANTY WHICH CAN BE VIEWED AT <http://www.xilinx.com/warranty.htm>. THIS LIMITED WARRANTY DOES NOT EXTEND TO ANY USE OF PRODUCTS IN AN APPLICATION OR ENVIRONMENT THAT IS NOT WITHIN THE SPECIFICATIONS STATED IN THE XILINX DATA SHEET. ALL SPECIFICATIONS ARE SUBJECT TO CHANGE WITHOUT NOTICE. PRODUCTS ARE NOT DESIGNED OR INTENDED TO BE FAIL-SAFE OR FOR USE IN ANY APPLICATION REQUIRING FAIL-SAFE PERFORMANCE, SUCH AS LIFE-SUPPORT OR SAFETY DEVICES OR SYSTEMS, OR ANY OTHER APPLICATION THAT INVOKES THE POTENTIAL RISKS OF DEATH, PERSONAL INJURY, OR PROPERTY OR ENVIRONMENTAL DAMAGE ("CRITICAL APPLICATIONS"). USE OF PRODUCTS IN CRITICAL APPLICATIONS IS AT THE SOLE RISK OF CUSTOMER, SUBJECT TO APPLICABLE LAWS AND REGULATIONS.