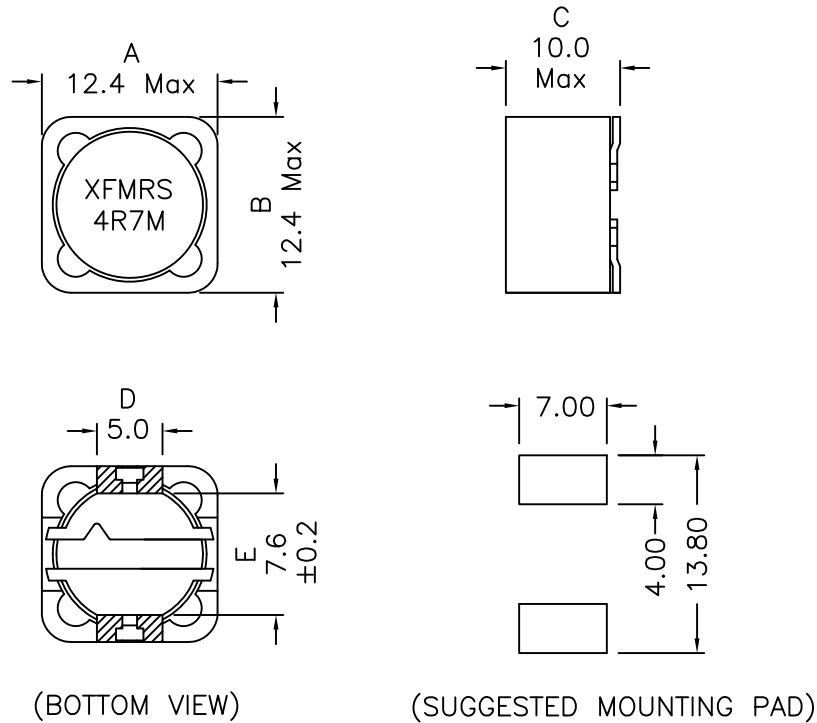
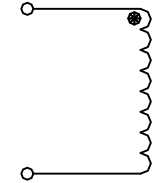


1. Mechanical Dimensions:



2. Schematic:



3. Electrical Specifications: @25°C

OCL: 4.7uH±20% @1KHz 0.25V

Q: 5 Min @100KHz 100mV

DCR: 0.015 Ohms Max

Isat: 13.0Adc Max (10% Typ drop in OCL)

Irms: 9.3Adc Max (Based on 40°C Temp Rise)

SRF: 38MHz Typ

Notes:

1. Solderability: Leads shall meet MIL-STD-202G, Method 208H for solderability.
2. Flammability: UL94V-0
3. ASTM oxygen index: > 28%
4. Insulation System: Class F 155°C. UL file E151556
5. Operating Temperature Range: All listed parameters are to be within tolerance from -40°C to +85°C
6. Storage Temperature Range: -55°C to +125°C
7. Aqueous wash compatible
8. SMD Lead Coplanarity: ±0.004"(0.102mm)
9. Electrical and mechanical specifications 100% tested
10. RoHS Compliant Component
11. Recommended IR Reflow peak temp of 250C Max.

DOC. REV: A/1

XFMRs Inc. www.XFMRS.com		Title: XFTPRH1210 SERIES INDUCTORS	
UNLESS OTHERWISE SPECIFIED TOLERANCES: .xx ±0.25 Dimensions in MM	P/N: XFTPRH1210-4R7M		REV. A
	DWN.	Yuan	Oct-05-16
	CHK.	YK Liao	Oct-05-16
SHEET 1 OF 1	APP.	DDC	Oct-05-16

PROPRIETARY

Document is the property of XFMRs Group & is not allowed to be duplicated without authorization.