

MICRO USB CONNECTOR

1. 適用範囲

本規格は MICRO USB CONNECTOR の取扱いについて規定している。
適用製品名と型番は附表1の通りである。

1. Scope

This specification specified handling instruction of MICRO USB CONNECTOR Connector.
Applicable product description and part numbers are as shown in Appendix 1.

2. 適用製品

2. Applicable product

Table 1. Applicable Product

Product Part No.	Description	Remarks
1981584-1	Micro USB Receptacle type AB	Standard mount
2134536-1	Micro USB Receptacle type AB	Dip short 2 legs Standard mount Flangeless (without wing)
1981568-1	Micro USB Receptacle type B	Standard mount
2013499-1	Micro USB Receptacle type B	Dip 2 legs Trough hole mount
2069746-1	Micro USB Receptacle type B	Dip short 2 legs Trough hole mount
2040002-1	Micro USB Receptacle type B	Dip 4 legs Trough hole mount
2040343-2	Micro USB Receptacle type B	Mid Mount
1554266-1	Micro USB Receptacle type B	Mid Mount RVS
2134441-2	Micro USB Receptacle type B	Mid Mount RVS Flangeless (without wing)
2174507-2	Micro USB Receptacle type B	Flangeless (without wing)
2134536-2	Micro USB Receptacle type AB	Dip 2 legs Flangeless (without wing)
1939053-x	Micro USB plug type A cable kit	--
1939054-x	Micro USB plug type B cable kit	--

3. 製品各部の名称

3. Nomenclature

3-1 MICRO USB B RECEPTACLE

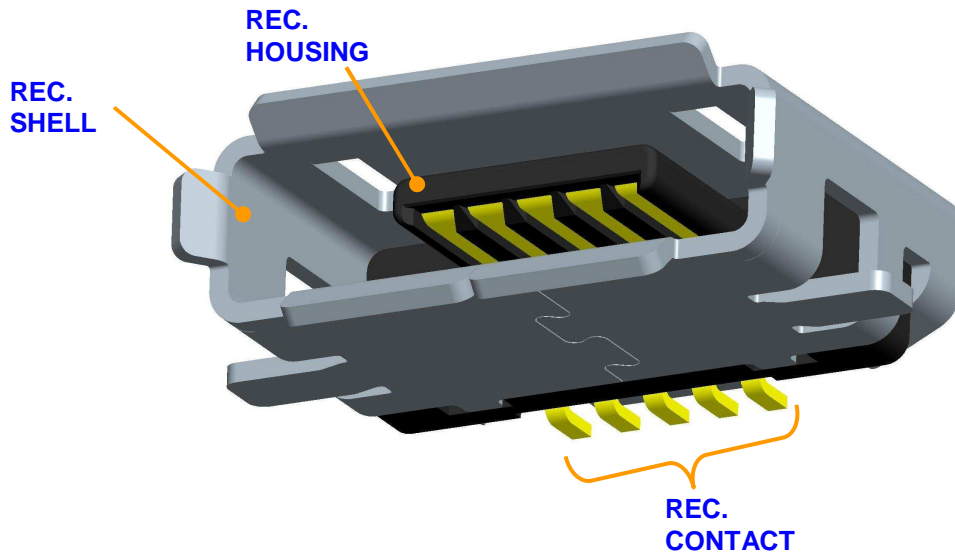


Fig.1 MICRO USB AB Receptacle Appearance

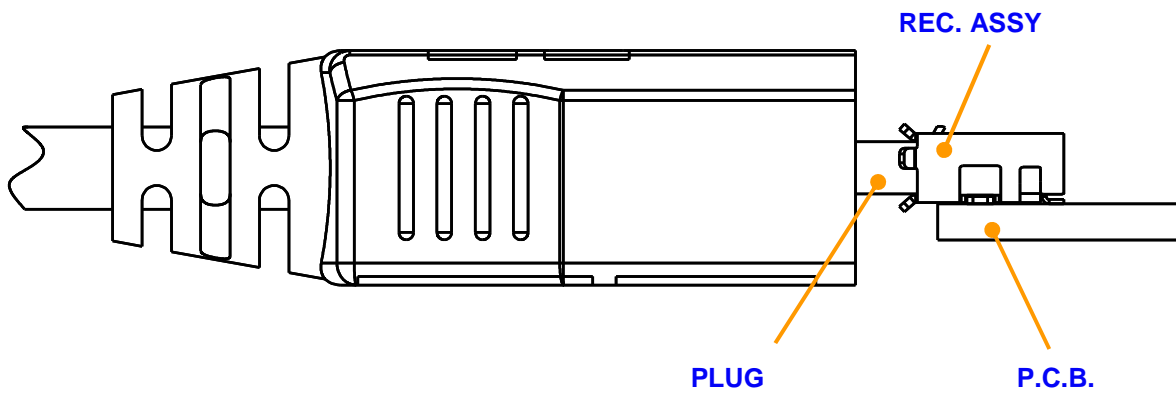


Fig.2 MICRO USB AB Mating Condition

3-2 MICRO USB FLANGELESS TYPE

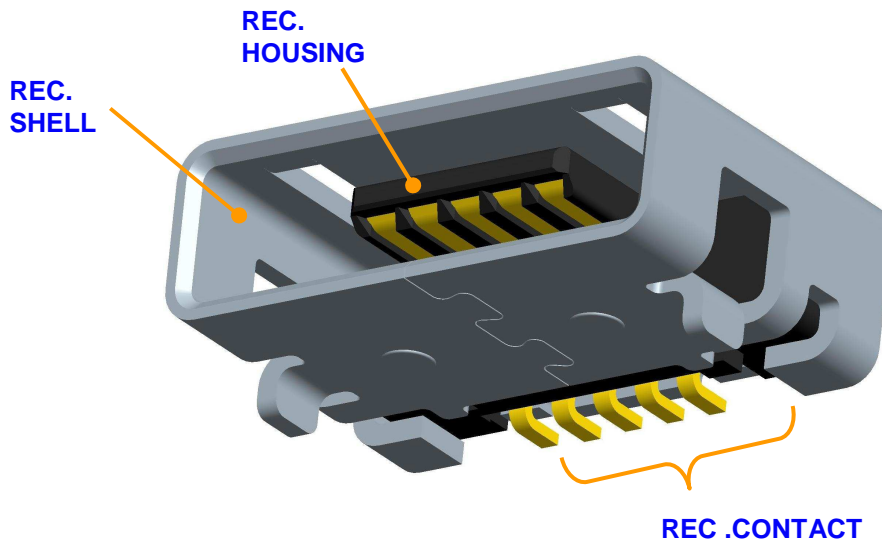


Fig.3 MICRO USB AB Receptacle Flangeless Appearance

嵌合状態
MATING CONDITION

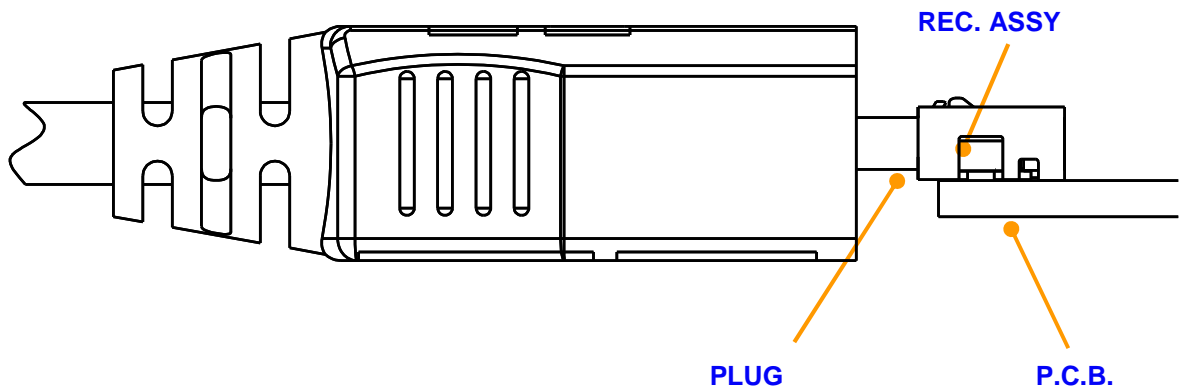


Fig.4 MICRO USB AB Flangeless Mating Condition

4. FLANGE 有りと FLANGELESS の挿入性

Table.2 に示すように FLANGELESS は FLANGE 有りと比較して、PLUG の誘い込み性が劣ります。

従って斜めに嵌合させると REC コネクタと衝突し、破壊を引き起こす可能性があります。

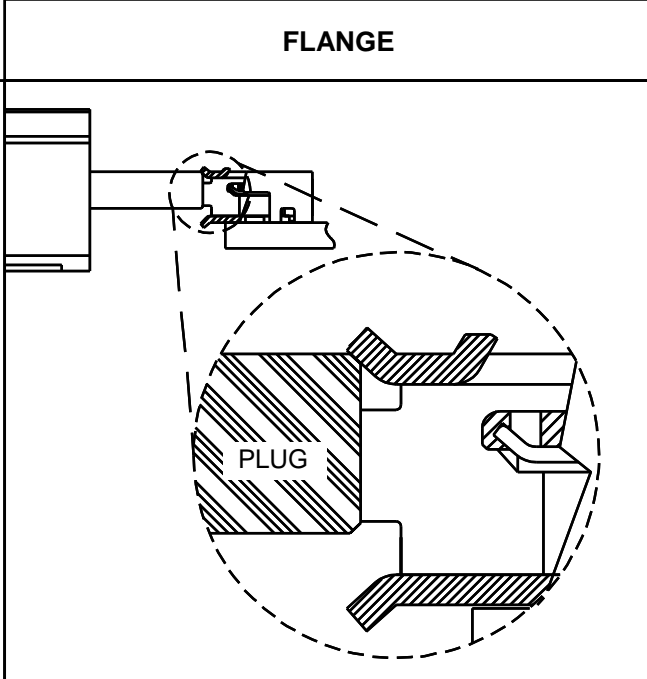
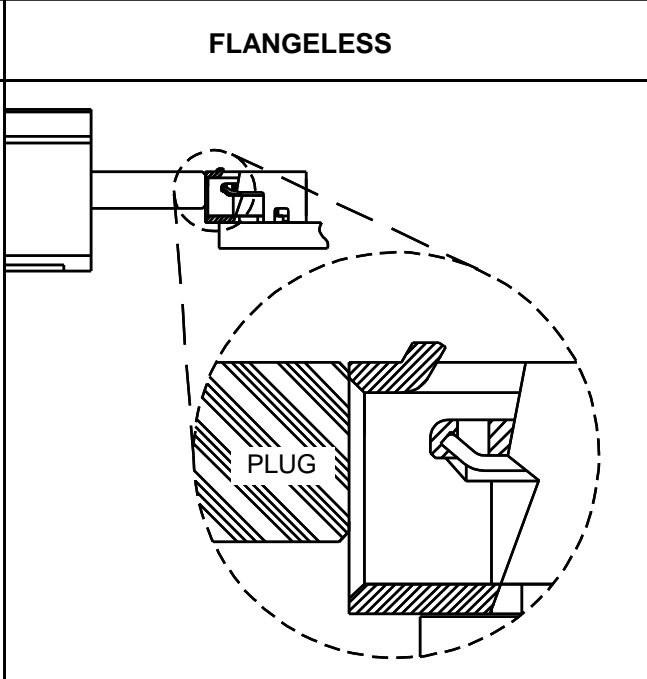
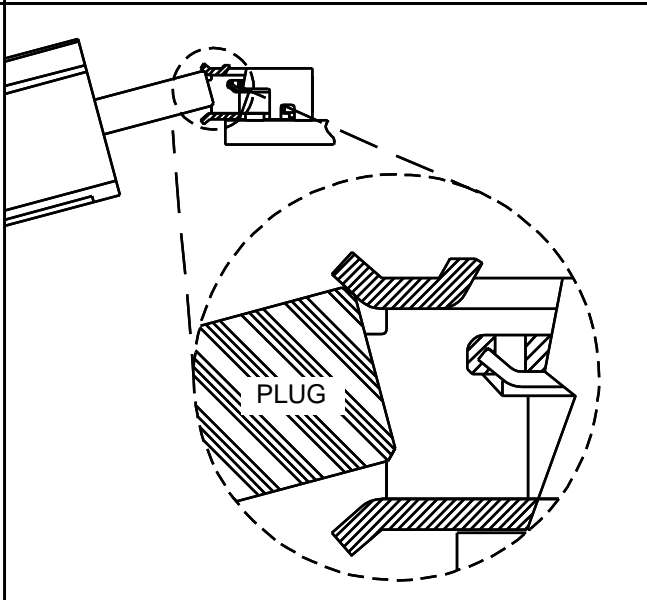
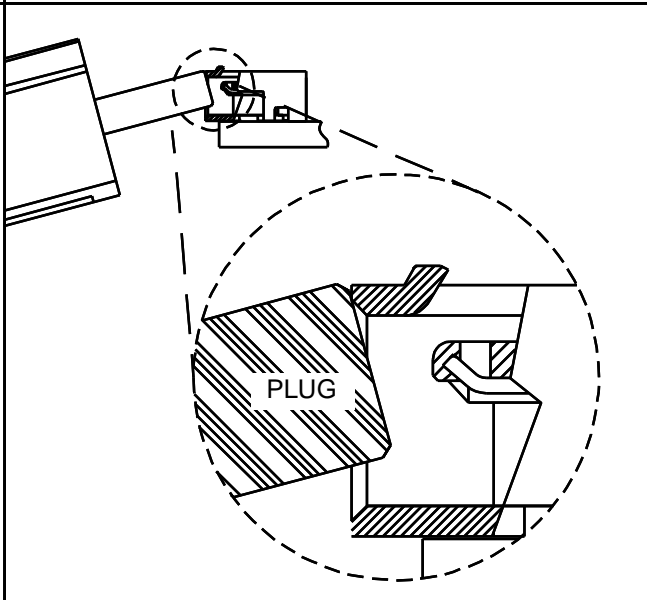
FLANGELESS を使用する場合は、筐体にて PLUG 挿入性を上げるガイド (Fig.5 参照) を付けて頂くようお願い致します。

4. INSERTABILITY OF WITH FLANGE AND FLANGELESS

Per Table.2, as compared with WITH FLANGE, the mating guide ability of FLANGELESS TYPE of PLUG is low, and if it is made to mate aslant, it may collide with a REC Connector or and may cause destruction.

When using FLANGELESS, we ask you to have a guide (Fig.5 reference) which raises PLUG insertability with a case.

Table 2. Applicable Product

	FLANGE	FLANGELESS
STRAIGHT Mating		
KOJIRI Mating		

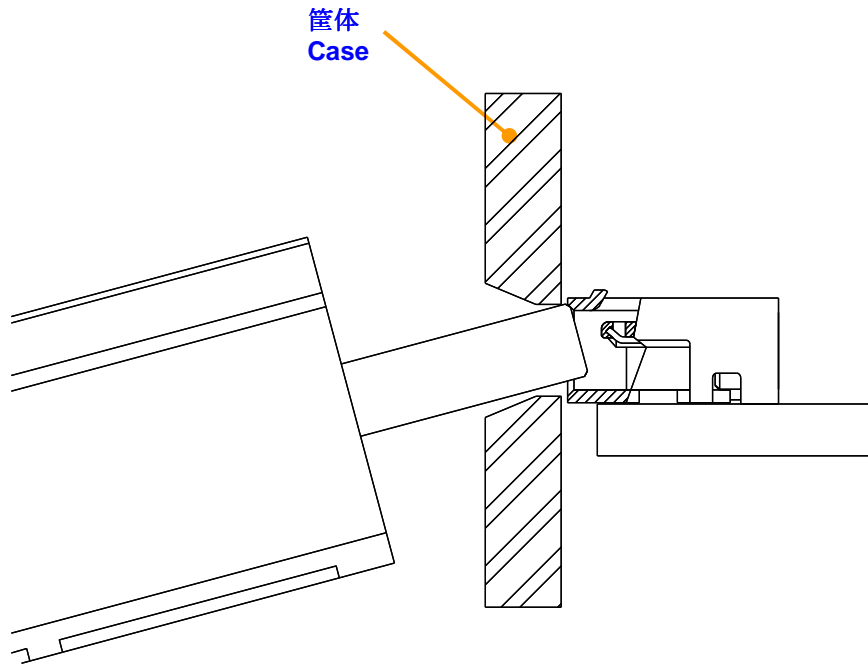


Fig 5. FLANGELESS TYPE 管体で誘い込み性を上げた図
FLANGELESS TYPE with guide case

5. Wrenching 対策

本コネクタは、Wrenching に対し非常に弱い構造になっているため、Fig.6 に示すように REC コネクタの挿入口全周や、コネクタの背面を覆う対策が必要です。

5. Countermeasures of Wrenching

This connector needs to be coped which covers all the circumferences of a REC connector insertion opening as shown and back side in Fig.6, for a very weak structure to Wrenching.

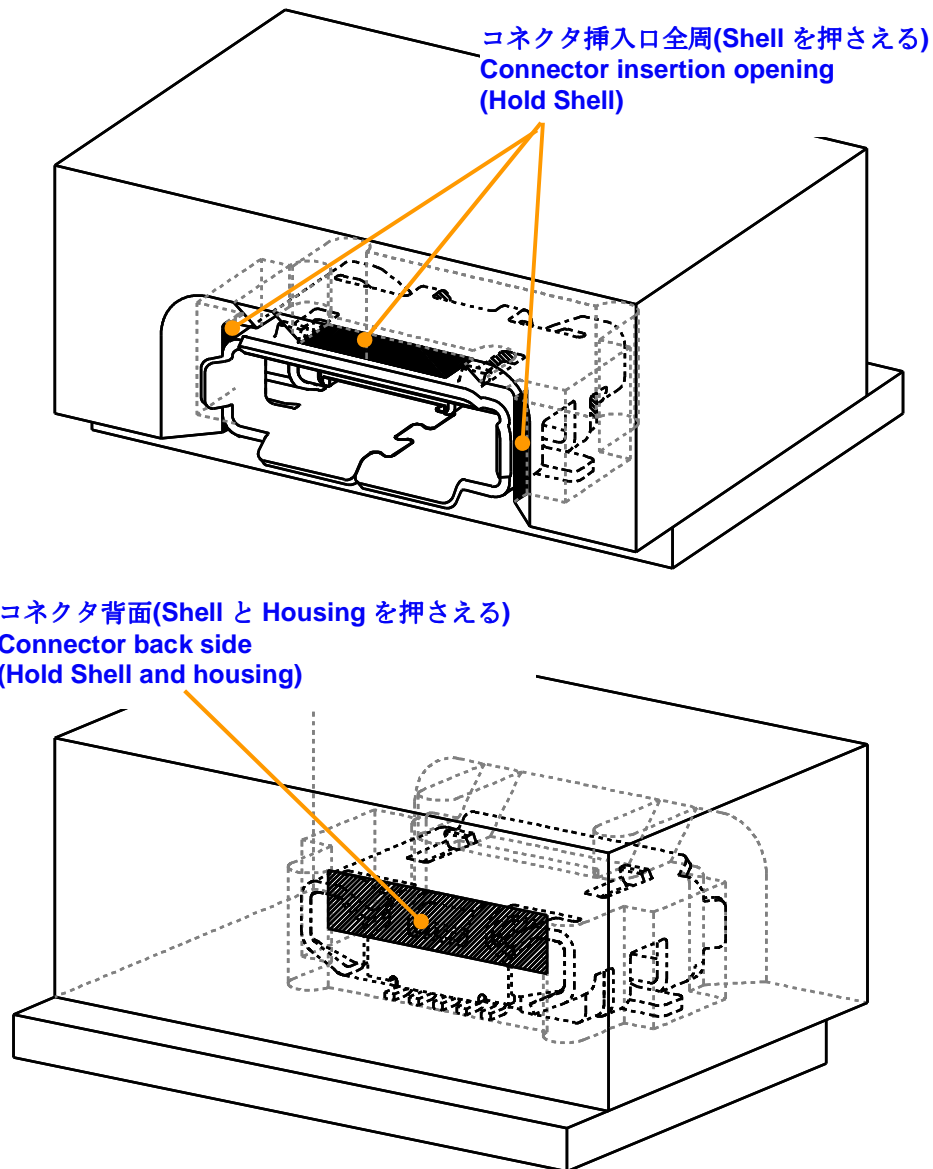


Fig 6. 筐体による Wrenching 対策
Countermeasure of Wrenching with guide case