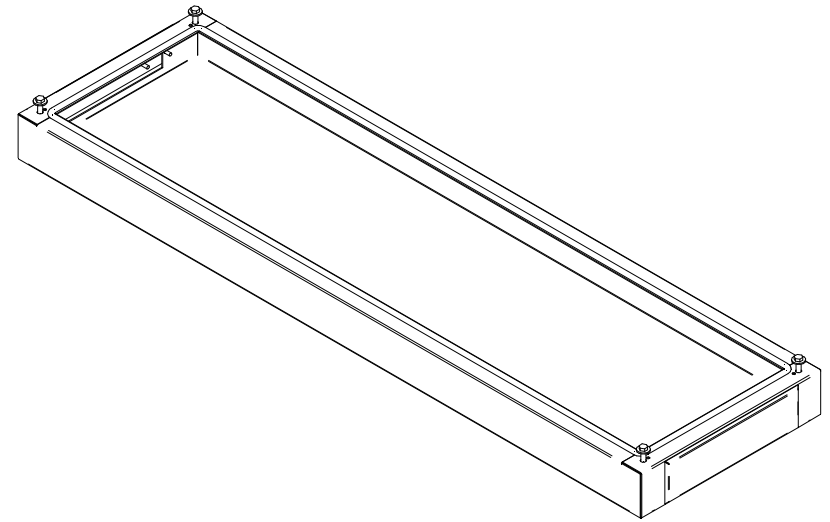
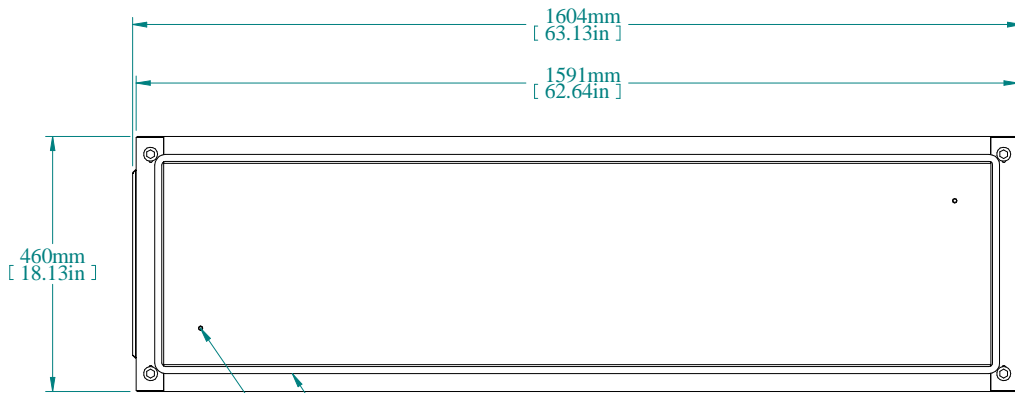


REAR VIEW



ISOMETRIC VIEW



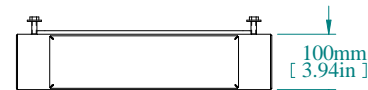
TOP VIEW

FPIG GASKET

1/4-20 GROUND STUD



FRONT VIEW



L.S VIEW

PART NUMBERS	
HPB1165	PAINTED TEXTURED BLACK

NOTES
Solid Plinth Bottom consists of frame with two removable gland plates and all mounting hardware See Hammond Website for Additional Accessories.

Data subject to change without notice. Isometric drawing not to scale.



**HAMMOND  
MANUFACTURING**™  
www.hammondmfg.com  
PART NO. HPB1165