

Features

- $R_{DS(on)} < 2.4\Omega @ V_{GS}=10V$
- Fast switching capability
- Lead free in compliance with EU RoHS directive.
- Green molding compound

Mechanical Data

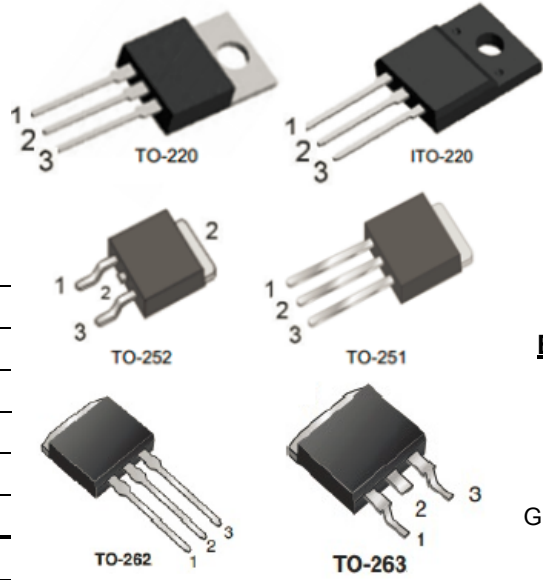
- Case: TO-251, TO-252, TO-220, ITO-220
TO-262, TO-263 Package

Ordering Information

Part No.	Package	Packing
DMP4N60-TU	TO-251	75pcs / Tube
DMD4N60-TR	TO-252	2.5Kpcs / 13" Reel
DMD4N60-TU	TO-252	75pcs / Tube
DMT4N60-TU	TO-220	50pcs / Tube
DMF4N60-TU	ITO-220	50pcs / Tube
DMK4N60-TU	TO-262	50pcs / Tube
DMG4N60-TU	TO-263	50pcs / Tube
DMG4N60-TR	TO-263	800pcs / 13" Reel

PRODUCT SUMMARY

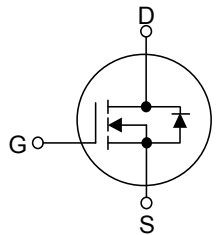
V_{DS} (V)	$R_{DS(on)}$ (Ω)	I_D (A)
600	2.4 @ $V_{GS}=10V$	4



Pin Definition:

1. Gate
2. Drain
3. Source

Block Diagram



ABSOLUTE MAXIMUM RATINGS ($T_C=25^\circ C$, unless otherwise specified)

PARAMETER		SYMBOL	RATINGS	UNIT
Drain-Source Voltage		V_{DSS}	600	V
Gate-Source Voltage		V_{GSS}	± 30	V
Continuous Drain Current		I_D	4.0	A
Pulsed Drain Current (Note 2)		I_{DM}	16	A
Avalanche Energy	Single Pulsed (Note 3)	E_{AS}	217	mJ
Power Dissipation	TO-220/TO-262/TO-263	P_D	106	W
	ITO-220		44	W
	TO-251/TO-252		77	W
Junction Temperature		T_J	+150	$^\circ C$
Operating Temperature		T_{OPR}	-55 ~ +150	$^\circ C$
Storage Temperature		T_{STG}	-55 ~ +150	$^\circ C$

Notes: 1. Absolute maximum ratings are those values beyond which the device could be permanently damaged.

Absolute maximum ratings are stress ratings only and functional device operation is not implied.

2. Repetitive Rating : Pulse width limited by maximum junction temperature

3. $L = 30mH$, $I_{AS} = 3.7A$, $V_{DD} = 50V$, $R_G = 25\Omega$, Starting $T_J = 25^\circ C$

THERMAL DATA

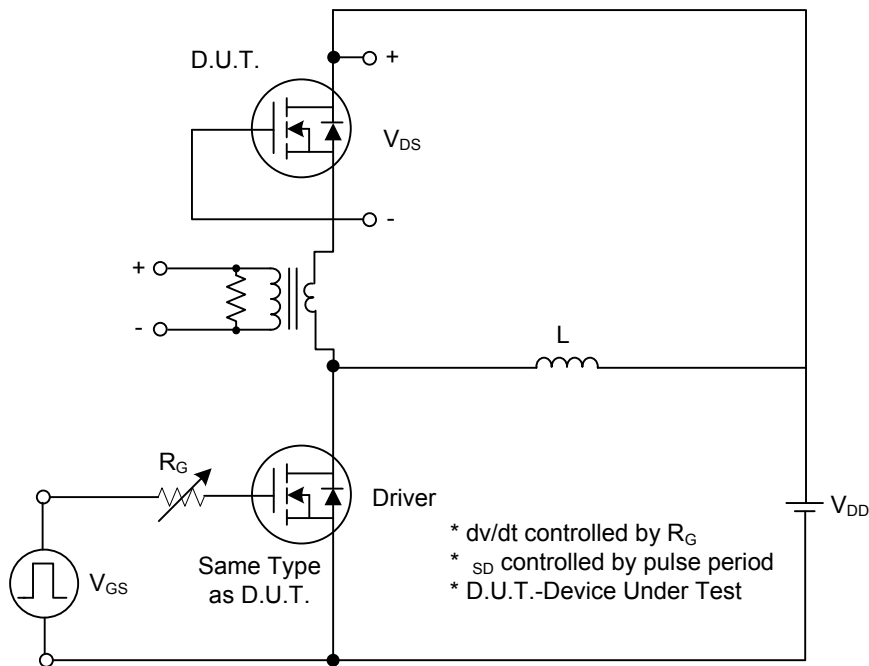
PARAMETER		SYMBOL	RATING	UNIT
Junction to Ambient	TO-220/ITO-220 TO-262/TO-263	θ_{JA}	62.5	°C/W
	TO-251/ TO-252		110	
Junction to Case	TO-220/ITO-220 TO-262/TO-263	θ_{JC}	2.35	°C/W
	ITO-220		5.5	
	TO-251/ TO-252		2.9	

ELECTRICAL CHARACTERISTICS (T_C=25°C, unless otherwise specified)

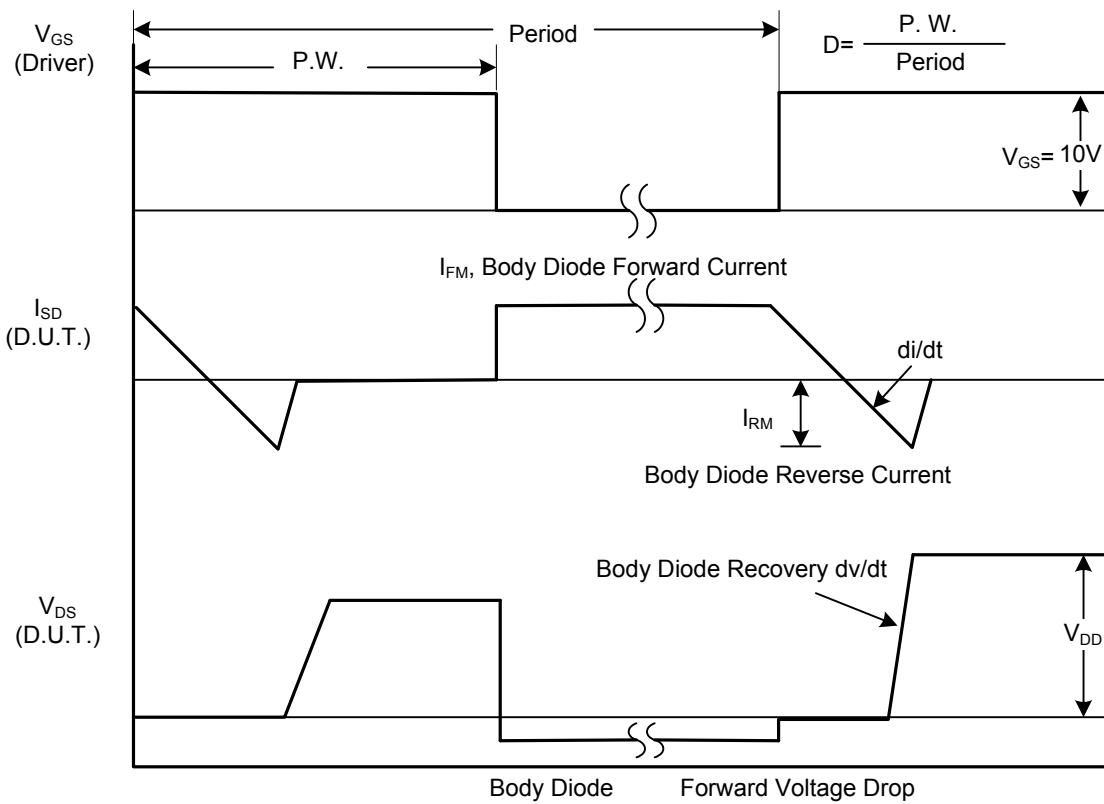
PARAMETER	SYMBOL	TEST CONDITIONS	MIN	TYP	MAX	UNIT
OFF CHARACTERISTICS						
Drain-Source Breakdown Voltage	BV _{DSS}	V _{GS} = 0V, I _D = 250μA	600			V
Drain-Source Leakage Current	I _{DSS}	V _{DS} = 600V, V _{GS} = 0V			1	μA
Gate-Source Leakage Current	Forward	I _{GSS}	V _{GS} = 30V, V _{DS} = 0V		100	nA
	Reverse					
ON CHARACTERISTICS						
Gate Threshold Voltage	V _{GS(TH)}	V _{DS} = V _{GS} , I _D = 250μA	2.0		4.0	V
Static Drain-Source On-State Resistance	R _{DS(ON)}	V _{GS} =10V, I _D = 2.0A		1.9	2.4	Ω
DYNAMIC CHARACTERISTICS						
Input Capacitance	C _{ISS}	V _{DS} = 25V, V _{GS} = 0V, f = 1MHz		550		pF
Output Capacitance	C _{OSS}			80		pF
Reverse Transfer Capacitance	C _{RSS}			30		pF
SWITCHING CHARACTERISTICS						
Turn-On Delay Time	t _{D(ON)}	V _{DD} = 300V, I _D = 4.0A, R _G = 25Ω (Note 1, 2)		35		ns
Turn-On Rise Time	t _R			80		ns
Turn-Off Delay Time	t _{D(OFF)}			160		ns
Turn-Off Fall Time	t _F			120		ns
Total Gate Charge	Q _G	V _{DS} = 480V, I _D = 4.0A, V _{GS} = 10V (Note 1, 2)		80		nC
Gate-Source Charge	Q _{GS}			5		nC
Gate-Drain Charge	Q _{GD}			20		nC
SOURCE- DRAIN DIODE RATINGS AND CHARACTERISTICS						
Drain-Source Diode Forward Voltage	V _{SD}	V _{GS} =0V, I _S =4A			1.4	V
Maximum Continuous Drain-Source Diode Forward Current	I _S				4	A
Maximum Pulsed Drain-Source Diode Forward Current	I _{SM}				16	A
Reverse Recovery Time	t _{rr}	V _{GS} = 0 V, I _S = 4A,		400		ns
Reverse Recovery Charge	Q _{RR}	dI _F /dt = 100 A/ μs (Note 1)		1.7		μC

Notes: 1. Pulse Test: Pulse width ≤ 300μs, Duty cycle ≤ 2%
 2. Essentially independent of operating temperature

TEST CIRCUITS AND WAVEFORMS

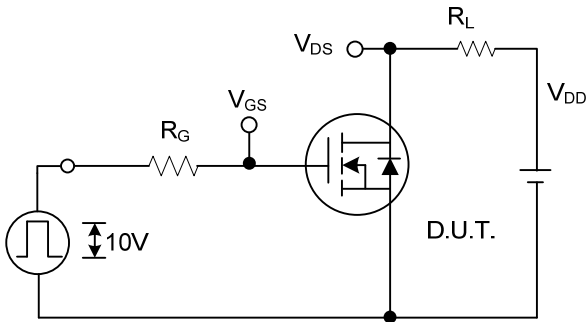


Peak Diode Recovery dv/dt Test Circuit

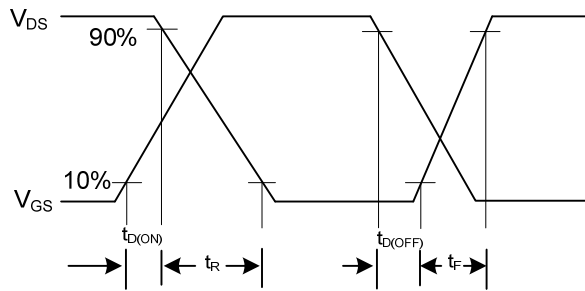


Peak Diode Recovery dv/dt Waveforms

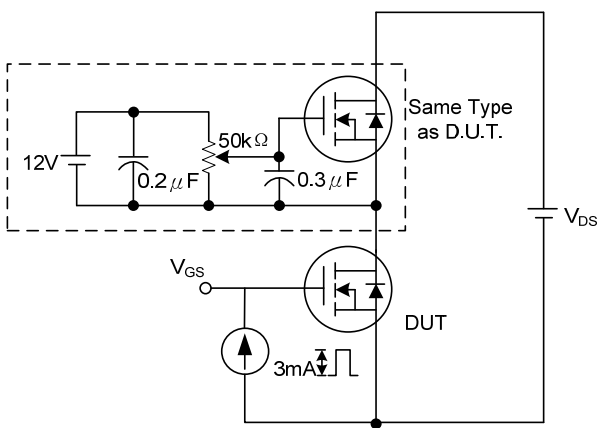
TEST CIRCUITS AND WAVEFORMS(Cont.)



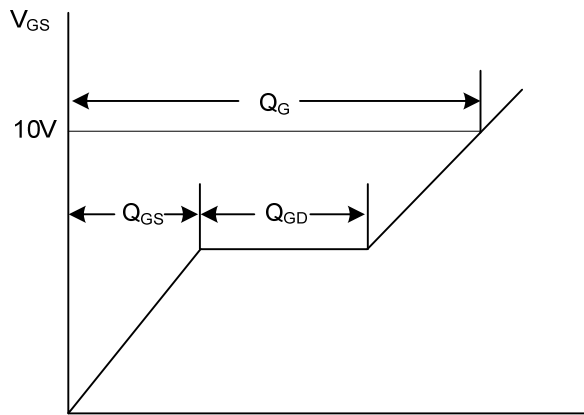
Switching Test Circuit



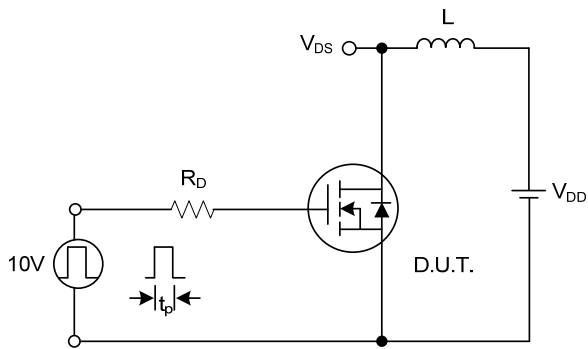
Switching Waveforms



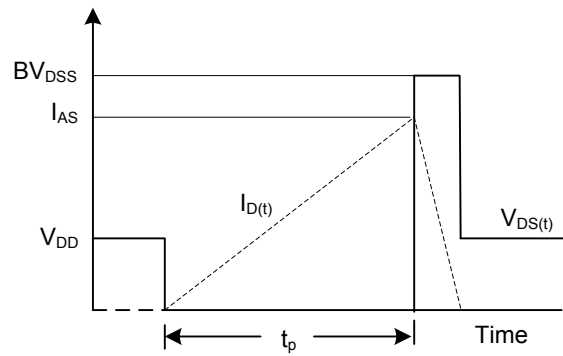
Gate Charge Test Circuit



Charge
Gate Charge Waveform



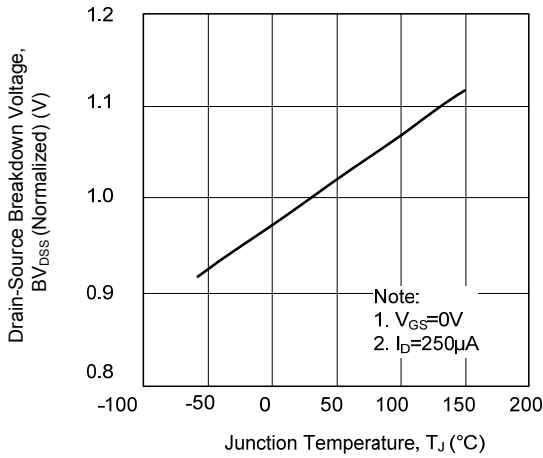
Unclamped Inductive Switching Test Circuit



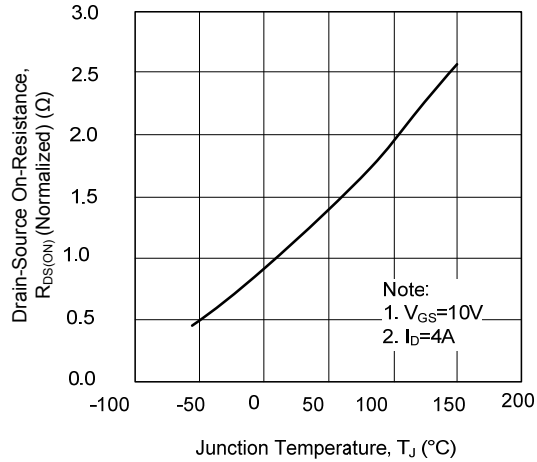
Unclamped Inductive Switching Waveforms

TYPICAL CHARACTERISTICS

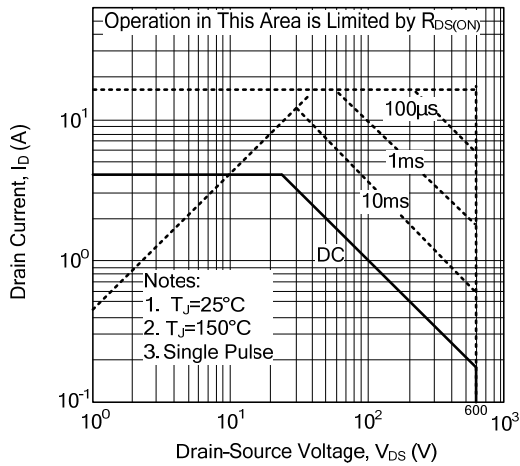
Breakdown Voltage Variation vs. Temperature



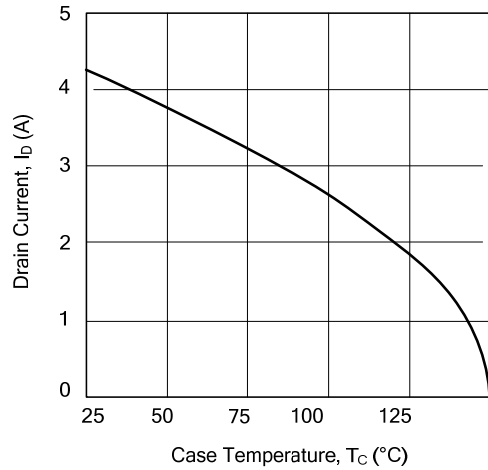
On-Resistance Junction Temperature



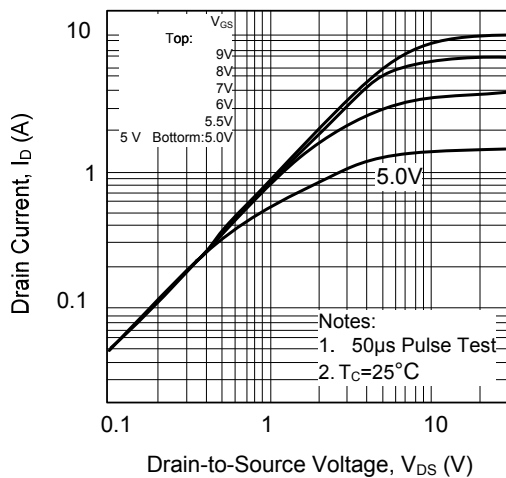
Safe Operating Area - 600V



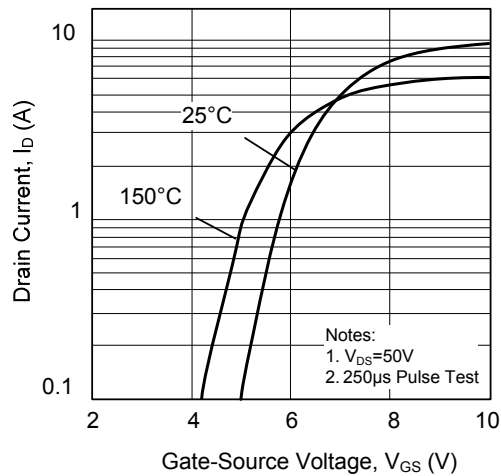
Maximum Drain Current vs. Case Temperature



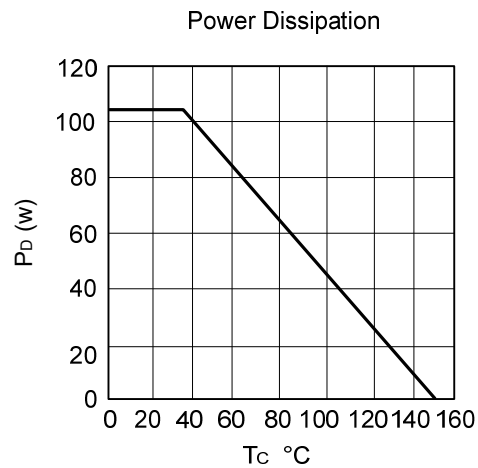
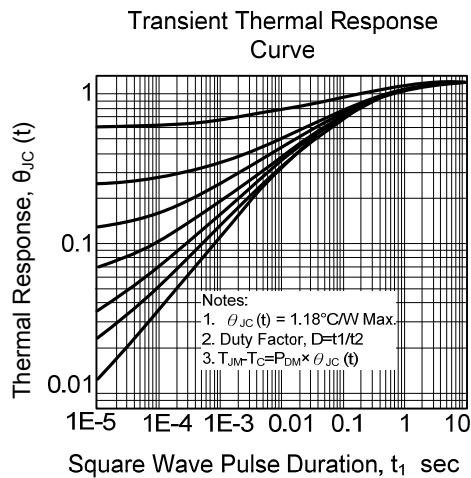
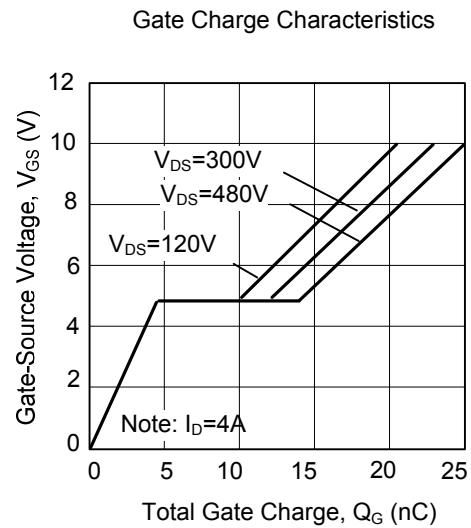
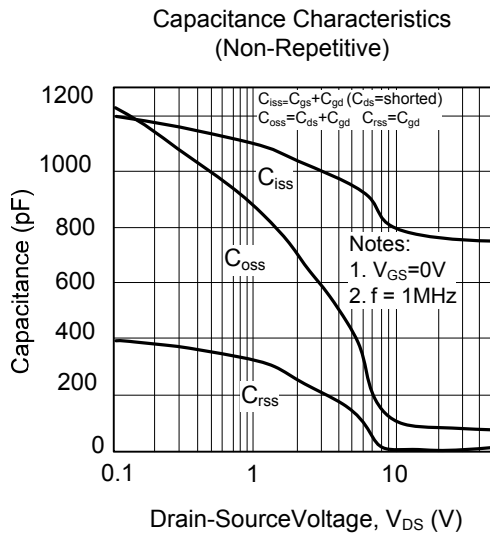
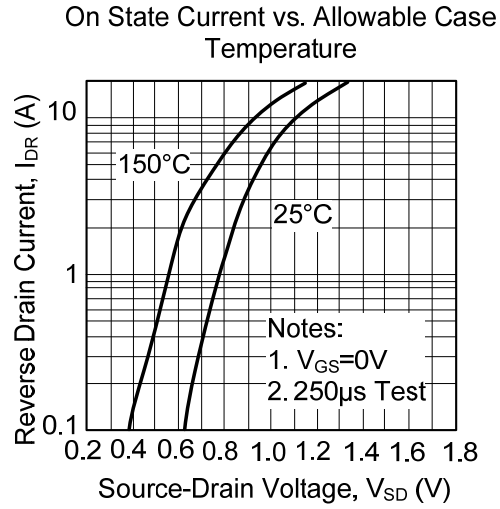
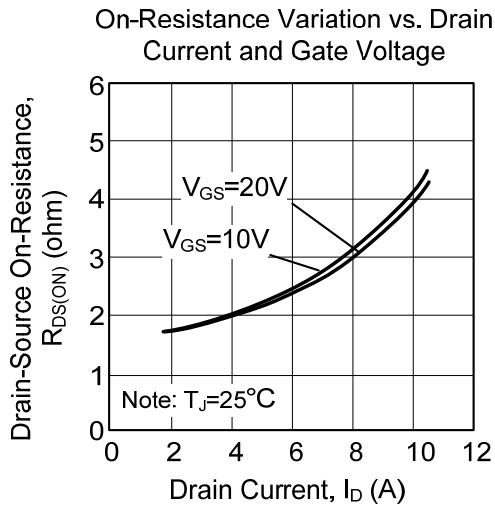
On-State Characteristics



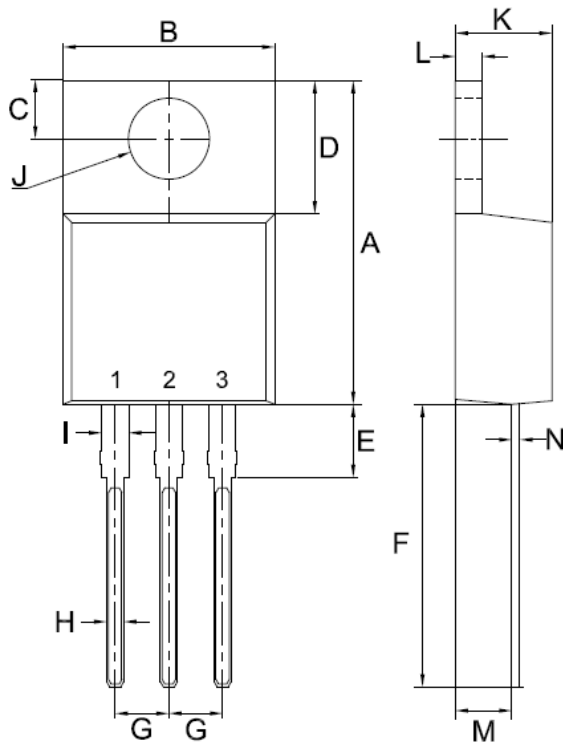
Transfer Characteristics



TYPICAL CHARACTERISTICS(Cont.)

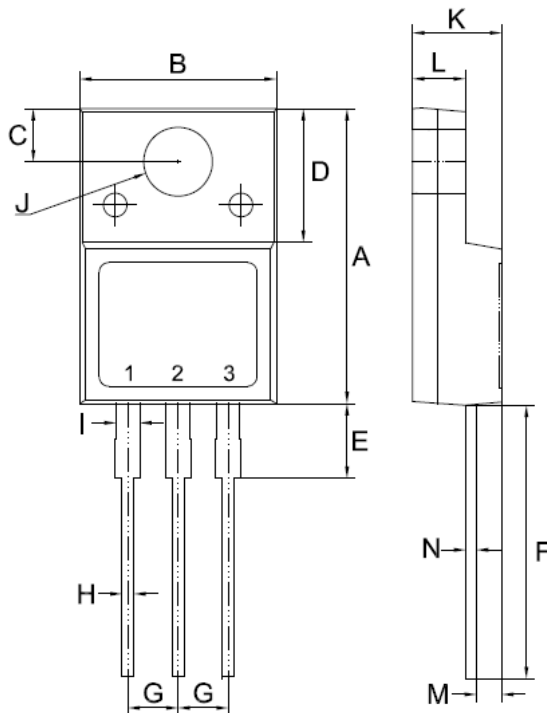


TO-220 Mechanical Drawing



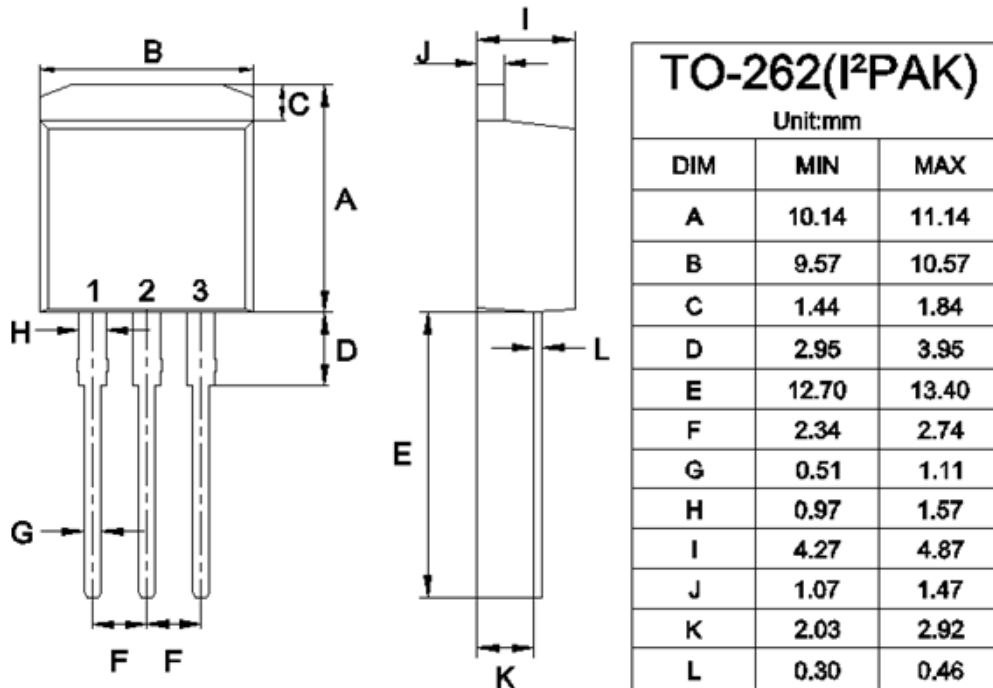
TO-220AB		
Unit:mm		
DIM	MIN	MAX
A	14.80	15.80
B	9.57	10.57
C	2.54	2.94
D	5.80	6.80
E	2.95	3.95
F	12.70	13.40
G	2.34	2.74
H	0.51	1.11
I	0.97	1.57
J	3.54 ϕ	4.14 ϕ
K	4.27	4.87
L	1.07	1.47
M	2.03	2.92
N	0.30	0.64

ITO-220 Mechanical Drawing

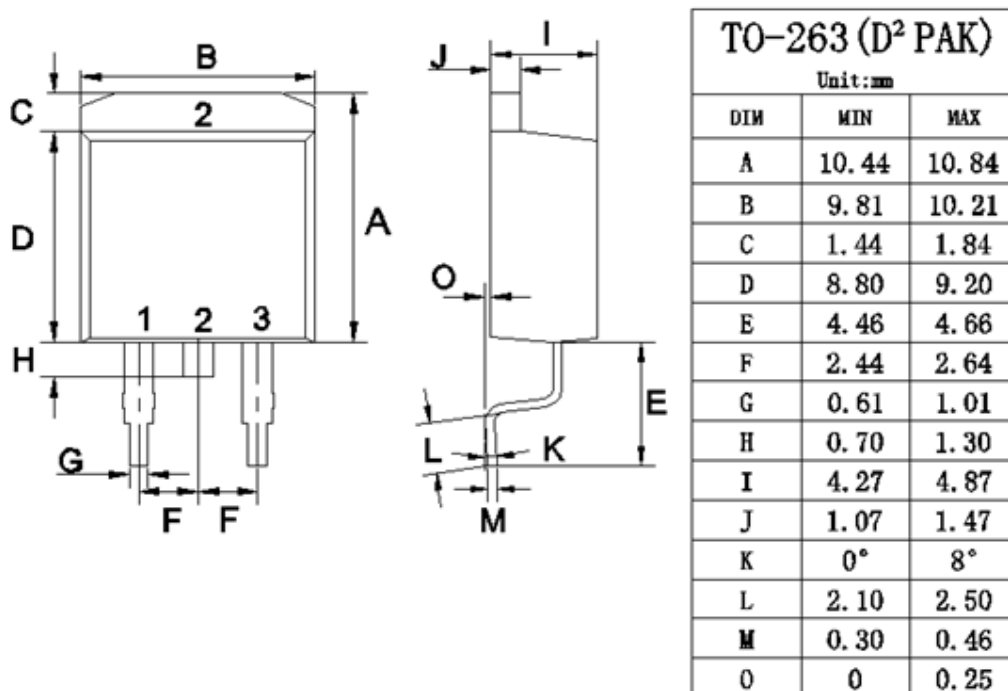


ITO-220AB		
Unit:mm		
DIM	MIN	MAX
A	14.50	15.50
B	9.50	10.50
C	2.50	2.90
D	6.30	7.30
E	3.30	4.30
F	13.00	14.00
G	2.35	2.75
H	0.30	0.90
I	0.90	1.50
J	3.20	3.80
K	4.24	4.84
L	2.52	2.92
M	1.09	1.49
N	0.47	0.64

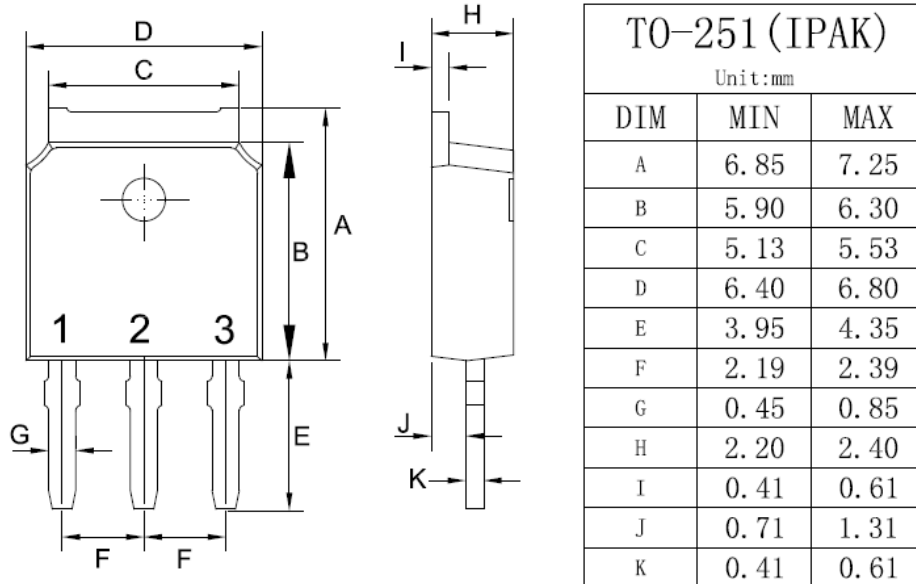
TO-262 Mechanical Drawing



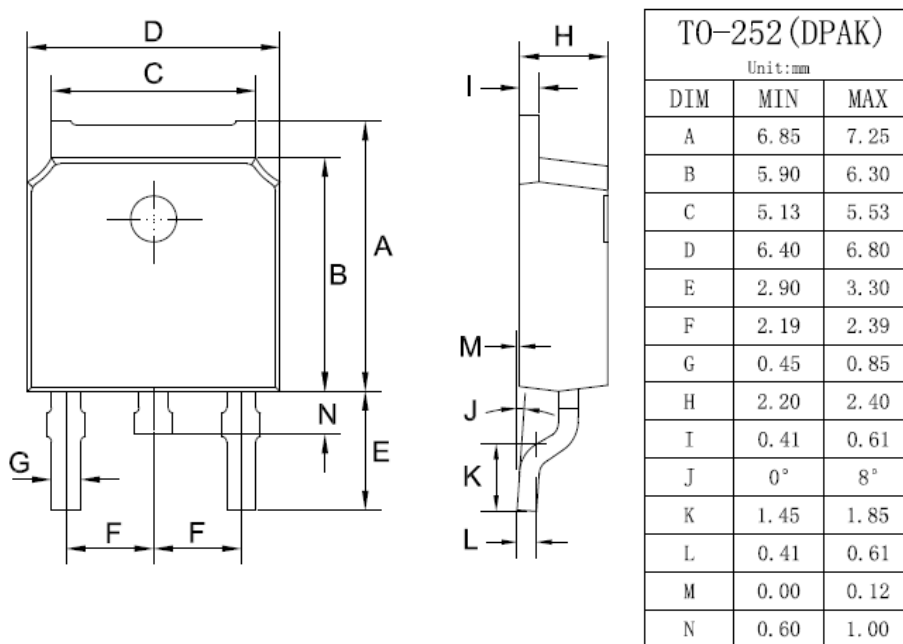
TO-263 Mechanical Drawing



TO-251 Mechanical Drawing



TO-252 Mechanical Drawing



Notice

Specifications of the products displayed herein are subject to change without notice. DIYI or anyone on its behalf, assumes no responsibility or liability for any errors or inaccuracies.

Information contained herein is intended to provide a product description only. No license, express or implied, to any intellectual property rights is granted by this document. Except as provided in DIYI's terms and conditions of sale for such products, DIYI assumes no liability whatsoever, and disclaims any express or implied warranty, relating to sale and/or use of DIYI products including liability or warranties relating to fitness for a particular purpose, merchantability, or infringement of any patent, copyright, or other intellectual property right.

The products shown herein are not designed for use in medical, life-saving, or life-sustaining applications. Customers using or selling these products for use in such applications do so at their own risk and agree to fully indemnify DIYI for any damages resulting from such improper use or sale.