

Structure	Silicon Monolithic Integrated Circuit
Function	Synchronous Rectifier Step-down DC-DC Converter
Product	BU9006GUZ
Function	<ul style="list-style-type: none"> - Input voltage range 2.5V ~ 4.5V - Output voltage range 0.95 V ~ 4.5V(REF input voltage range 0.5V~VIN) - Current mode control - Integrated output FET synchronous rectifier step-down DC-DC converter - Switching frequency 2.0MHz typ. - Maximum output current 750mA (Switching regulator part) - Maximum output current 1200mA (Bypass switch part) - PchFET on resistance at bypass mode: (70mohm) typ. - 1.6mm x 1.6mm, t=0.4mm MAX, WLCSP

Absolute Maximum rating (Ta=25c)

Item	Symbol	Rating	Unit
Maximum input power supply voltage	VIN	7	V
Power dissipation	Pd	0.48(*1)	W
Operating temperature range	Topr	-35 ~ +85	C
Storage temperature range	Tstg	-55 ~ +125	C
Junction temperature	Tjmax	+125	C

(*1) When mounted on the specified PCB (50 mm x 58 mm). Deducted by 4.8m W/c when used over Ta=25c.

Operating range (Ta=25c)

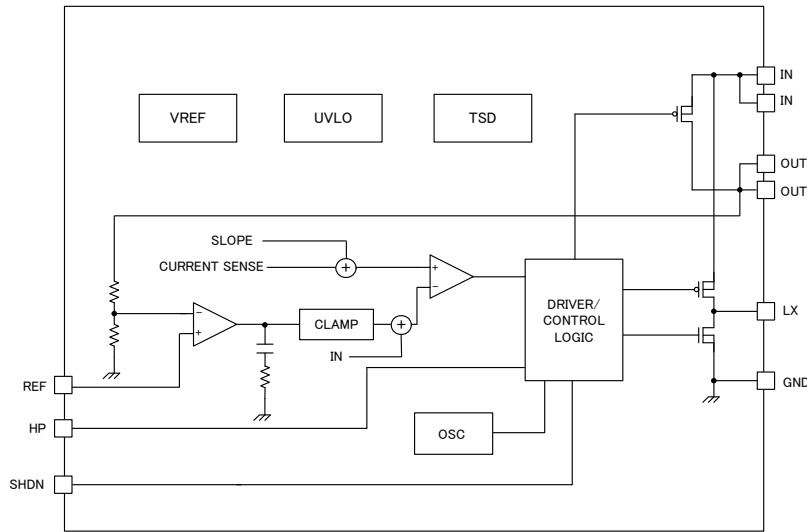
Item	Symbol	Rating			Unit	Condition
		Min.	Typ.	Max.		
Power supply voltage	VIN	2.5	-	4.5	V	

Electrical characteristics (unless otherwise specified $I_N=3.6[V]$, $T_a=25[^\circ C]$)

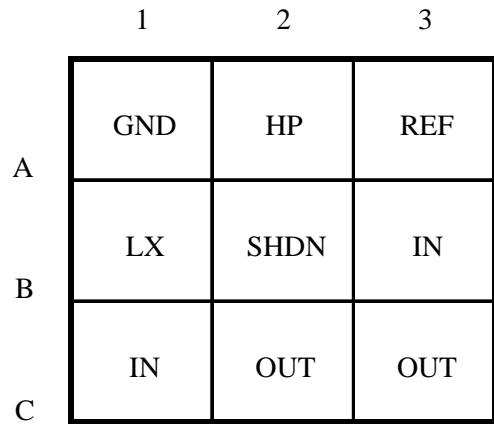
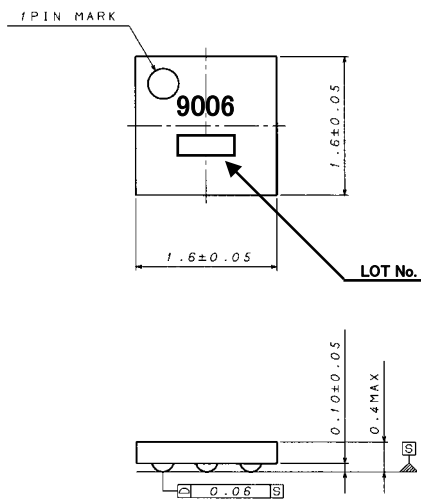
Item	Symbol	Rating			Unit	Condition
		Min.	Typ.	Max.		
[Switching regulator part]						
Output voltage 1	VOUT1	1.15	1.20	1.25	V	REFIN=0.60 V
Output voltage 2	VOUT2	1.45	1.50	1.55	V	REFIN=0.75 V
[Soft start part]						
Soft start time	Tss	-	40	70	usec	
[Oscillator circuit]						
Switching frequency	fosc	1.5	2.0	2.5	MHz	
[Driver part]						
PchFET on resistance	RonP	-	300	500	mΩ	
NchFET on resistance	RonN	-	250	450	mΩ	
[Bypass switch part]						
On resistance	RBYP	-	70	120	mΩ	
[Error Amp part]						
REF input bias current	IAMPIN	-	0	500	nA	
[Control pin part]						
SHDN pin pull down resistor	RSHDN	0.5	1	2	MΩ	
SHDN pin control voltage	Operation	VSHDNH	1.4	-	VIN	V
	Non operation	VSHDNL	0	-	0.4	V
HP pin pull down resistor	RHP	0.5	1	2	MΩ	
HP pin control voltage	Operation	VHPH	1.4	-	VIN	V
	Non operation	VHPL	0	-	0.4	V
[UVLO]						
Release voltage threshold	Uvth	1.95	2.2	2.45	V	
Hysteresis	Uvhy	70	90	110	mV	
[Circuit current]						
Circuit current at shutdown	IIN	-	0	10	uA	SHDN=0V

* No design for durability against radiation

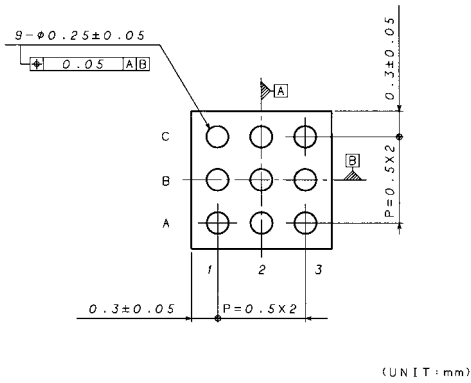
Block diagram



External dimension/Pin layout



Pin layout (TOP VIEW)



Pin number/name/function

Pin nr	Name	Function
A1	GND	GND pin
A2	HP	Bypass switch on pin
A3	REF	Reference voltage input pin
B1	LX	Inductor connection pin
B2	SHDN	Shutdown pin
B3	IN	Power supply input pin
C1	IN	
C2	OUT	Output pin
C3	OUT	

Operation Notes

1) Absolute maximum ratings

An excess in the absolute maximum rating, such as supply voltage, temperature range of operating conditions, etc., can break down the devices, thus making impossible to identify breaking mode, such as a short circuit or an open circuit. If any over rated values will expect to exceed the absolute maximum ratings, consider adding circuit protection devices, such as fuses.

2) GND voltage

The potential of GND pin must be minimum potential in all condition. As an exception, the circuit design allows voltages up to -0.3 V to be applied to the IC pin.

3) Thermal design

Use a thermal design that allows for a sufficient margin in light of the power dissipation (Pd) in actual operating conditions.

4) Inter-pin shorts and mounting errors

Use caution when positioning the IC for mounting on printed circuit boards. The IC may be damaged if there is any connection error or if pins are shorted together.

5) Actions in strong electromagnetic field

Use caution when using the IC in the presence of a strong electromagnetic field as doing so may cause the IC to malfunction.

6) Mutual impedance

Power supply and ground wiring should reflect consideration of the need to lower mutual impedance and minimize ripple as much as possible (by making wiring as short and thick as possible or rejecting ripple by incorporating inductance and capacitance).

7) Thermal shutdown Circuit (TSD Circuit)

This model IC has a built-in TSD circuit. This circuit is only to cut off the IC from thermal runaway, and has not been design to protect or guarantee the IC. Therefore, the user should not plan to activate this circuit with continued operation in mind.

8) Regarding input pin of the IC

This monolithic IC contains P+ isolation and P substrate layers between adjacent elements in order to keep them isolated. P-N junctions are formed at the intersection of these P layers with the N layers of other elements, creating a parasitic diode or transistor. For example, as shown in the figures below, the relation between each potential is as follows:

When $GND > Pin A$ and $GND > Pin B$, the P-N junction operates as a parasitic diode.

When $GND > Pin B$, the P-N junction operates as a parasitic transistor.

Parasitic diodes can occur inevitable in the structure of the IC. The operation of parasitic diodes can result in mutual interference among circuits, operational faults, or physical damage. Accordingly, methods by which parasitic diodes operate, such as applying a voltage that is lower than the GND (P substrate) voltage to an input pin, should not be used.

9) Mounting Condition

As mounting condition to the substrate may cause the affect to the electrical character of IC. The design margin for the shift value as mount is required, considering the evaluation result for IC to mount the substrate you will use.

10) External Components

The IC evaluation with the external components you will use is required to check the margin within all operating condition. Because some external inductors and capacitors change its character drastically depending on the DC current, DC voltage, temperature, and so on.

Notes

No copying or reproduction of this document, in part or in whole, is permitted without the consent of ROHM Co.,Ltd.

The content specified herein is subject to change for improvement without notice.

The content specified herein is for the purpose of introducing ROHM's products (hereinafter "Products"). If you wish to use any such Product, please be sure to refer to the specifications, which can be obtained from ROHM upon request.

Examples of application circuits, circuit constants and any other information contained herein illustrate the standard usage and operations of the Products. The peripheral conditions must be taken into account when designing circuits for mass production.

Great care was taken in ensuring the accuracy of the information specified in this document. However, should you incur any damage arising from any inaccuracy or misprint of such information, ROHM shall bear no responsibility for such damage.

The technical information specified herein is intended only to show the typical functions of and examples of application circuits for the Products. ROHM does not grant you, explicitly or implicitly, any license to use or exercise intellectual property or other rights held by ROHM and other parties. ROHM shall bear no responsibility whatsoever for any dispute arising from the use of such technical information.

The Products specified in this document are intended to be used with general-use electronic equipment or devices (such as audio visual equipment, office-automation equipment, communication devices, electronic appliances and amusement devices).

The Products specified in this document are not designed to be radiation tolerant.

While ROHM always makes efforts to enhance the quality and reliability of its Products, a Product may fail or malfunction for a variety of reasons.

Please be sure to implement in your equipment using the Products safety measures to guard against the possibility of physical injury, fire or any other damage caused in the event of the failure of any Product, such as derating, redundancy, fire control and fail-safe designs. ROHM shall bear no responsibility whatsoever for your use of any Product outside of the prescribed scope or not in accordance with the instruction manual.

The Products are not designed or manufactured to be used with any equipment, device or system which requires an extremely high level of reliability the failure or malfunction of which may result in a direct threat to human life or create a risk of human injury (such as a medical instrument, transportation equipment, aerospace machinery, nuclear-reactor controller, fuel-controller or other safety device). ROHM shall bear no responsibility in any way for use of any of the Products for the above special purposes. If a Product is intended to be used for any such special purpose, please contact a ROHM sales representative before purchasing.

If you intend to export or ship overseas any Product or technology specified herein that may be controlled under the Foreign Exchange and the Foreign Trade Law, you will be required to obtain a license or permit under the Law.



Thank you for your accessing to ROHM product informations.
More detail product informations and catalogs are available, please contact us.

ROHM Customer Support System

<http://www.rohm.com/contact/>