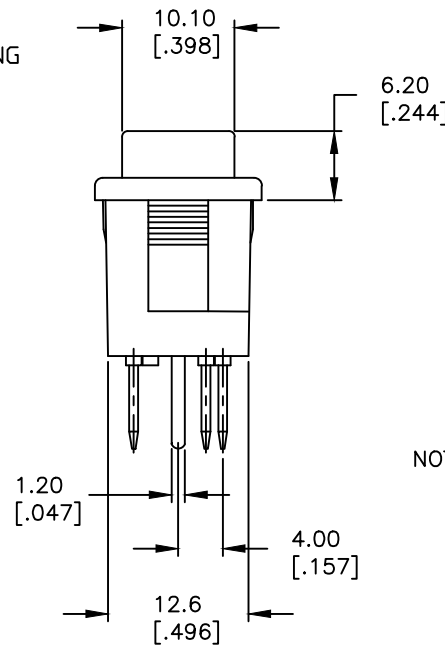
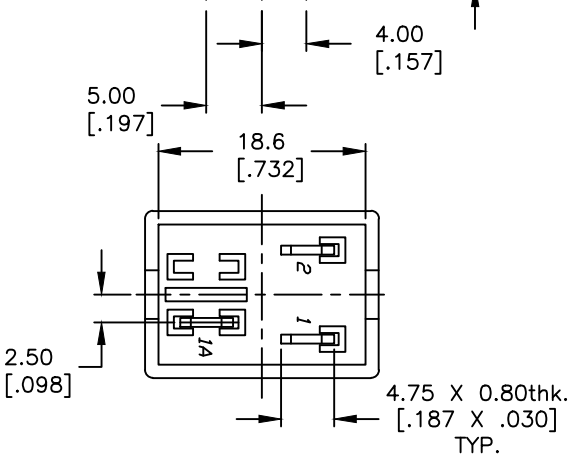
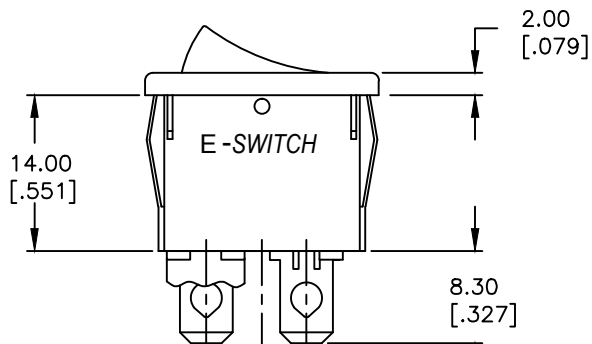
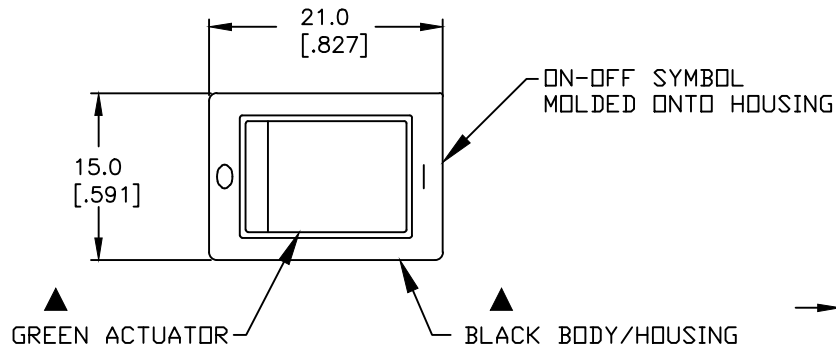
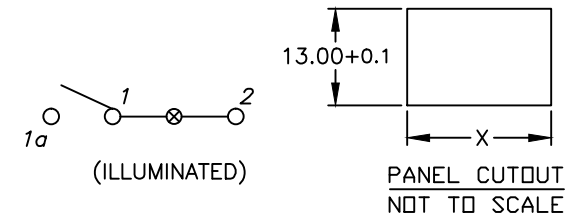


NEON BULB

PARAMETERS	SYMBOL	MAX.	UNITS
LAMP VOLTAGE (AC)	V	125	V
STARTUP VOLTAGE	V _s	85	V
CURRENT	I	0.8	mA
SERIES RESISTANCE (125V)	R	68	ΩHMS

PANEL THICKNESS	X dimension
0.75-1.25 [.030-.049]	19.2-0.1 [.756]
1.25-2.0 [.049-.079]	19.4-0.1 [.764]
2.0-3.0 [.079-.118]	19.8-0.1 [.780]



NOTES:

- ALL DIMENSIONS IN MM [INCH]
- GENERAL TOLERANCE: X.X=±0.4
X.XX=±0.25
- RATING:
6A @250VAC; 9A @125VAC (UL, cUL)
4(1)A @250VAC (VDE)
- LAMP VOLTAGE: 125V (NEON BULB)
- MATERIAL:
CONTACT SURFACE: Coin Silver, Silver Plate
TERMINAL: Copper Alloy W/ Silver Plate.
- CONTACT RESISTANCE: 20mILLIOHMS TYP. INITIAL
- INSULATION RESISTANCE: 1000MegaOHMS
- DIELECTRIC STRENGTH:
>1500V RMS min. @SEA LEVEL
>3000V RMS @SEA LEVEL
- MECHANICAL LIFE: 30,000 CYCLES.
- ELECTRICAL LIFE: 10,000 CYCLES.



B	22376	Changed Description	7/5/16	MW
A	11330	RELEASED FOR PRODUCTION	10/03/01	CJB
REV.	ECN No.	DESCRIPTION	DATE	CHKD

TITLE R1973ABLK GILEF1				
SCALE 1.5:1	DATE 10/3/01	DR CJB	DWG M400004	REV B

THE INFORMATION CONTAINED IN THIS DOCUMENT IS PROPRIETARY TO E-SWITCH AND IS NOT TO BE COPIED OR TRANSFERRED