

# Low Power 8th Order Pin Selectable Elliptic or Linear Phase Lowpass Filter

## FEATURES

- 8th Order Pin Selectable Elliptic or Bessel Filter
- 4mA Supply Current with  $\pm 5V$  Supplies
- 64dB Attenuation at  $1.44 f_{CUTOFF}$  (Elliptic Response)
- $f_{CUTOFF}$  Up to 30kHz (50:1  $f_{CLK}$  to  $f_{CUTOFF}$  Ratio)
- $110\mu V_{RMS}$  Wideband Noise with  $\pm 5V$  Supplies
- Operates at Single 5V Supply with  $1V_{RMS}$  Input Range
- Operates Up to  $\pm 8V$  Supplies
- TTL/CMOS Compatible Clock Input
- No External Components
- Available in 14-Pin Dip and 16-Pin SO Wide Packages

## APPLICATIONS

- Antialiasing Filters
- Battery-Operated Instruments
- Telecommunication Filters

## DESCRIPTION

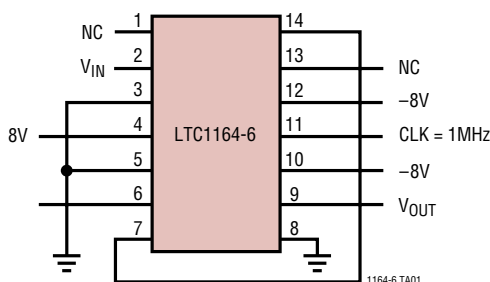
The LTC<sup>®</sup>1164-6 is a monolithic 8th order elliptic lowpass filter featuring clock-tunable cutoff frequency and low power supply current. Low power operation is achieved without compromising noise or distortion performance. At  $\pm 5V$  supplies the LTC1164-6 uses only 4mA supply current while keeping wideband noise below  $110\mu V_{RMS}$ . With a single 5V supply, the LTC1164-6 can provide up to 10kHz cutoff frequency and 80dB signal-to-noise ratio while consuming only 2.5mA.

The LTC1164-6 provides an elliptic lowpass rolloff with stopband attenuation of 64dB at  $1.44 f_{CUTOFF}$  and an  $f_{CLK}$ -to- $f_{CUTOFF}$  ratio of 100:1 (Pin 10 to  $V^-$ ). For a ratio of 100:1,  $f_{CUTOFF}$  can be clock-tuned up to 10kHz. For a  $f_{CLK}$ -to- $f_{CUTOFF}$  ratio of 50:1 (Pin 10 to  $V^+$ ), the LTC1164-6 provides an elliptic lowpass filter with  $f_{CUTOFF}$  frequencies up to 20kHz. When Pin 10 is connected to ground, the LTC1164-6 approximates an 8th order linear phase response with 65dB attenuation at  $4.5 f_{-3dB}$  and  $f_{CLK}/f_{-3dB}$  ratio of 160:1. The LTC1164-6 is pin compatible with the LTC1064-1.

LT, LT, LTC and LTM are registered trademarks of Linear Technology Corporation. All other trademarks are the property of their respective owners.

## TYPICAL APPLICATION

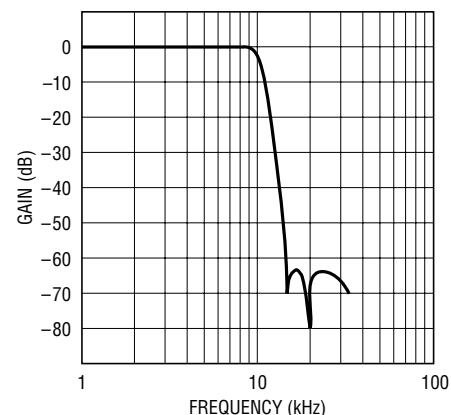
### 10kHz Anti-Aliasing Elliptic Filter



WIDEBAND NOISE =  $115\mu V_{RMS}$

NOTE: THE CONNECTION FROM PIN 7 TO PIN 14 SHOULD BE MADE UNDER THE PACKAGE. THE POWER SUPPLIES SHOULD BE BYPASSED BY A  $0.1\mu F$  CAPACITOR AS CLOSE TO THE PACKAGE AS POSSIBLE.

### Frequency Response



1164-6 TA02

11646fa

# LTC1164-6

## ABSOLUTE MAXIMUM RATINGS (Note 1)

Total Supply Voltage ( $V^+$ to $V^-$ ) .....	16V	Operating Temperature Range	
Input Voltage (Note 2) .....	( $V^+ + 0.3V$ ) to ( $V^- - 0.3V$ )	LTC1164-6C .....	-40°C to 85°C
Output Short-Circuit Duration .....	Indefinite	LTC1164-6M (OBSOLETE) .....	-55°C to 125°C
Power Dissipation .....	400mW	Storage Temperature Range .....	-65°C to 150°C
Burn-In Voltage .....	16V	Lead Temperature (Soldering, 10 sec) .....	300°C

## PACKAGE/ORDER INFORMATION

<p>N PACKAGE 14-LEAD PDIP <math>T_{JMAX} = 110^\circ\text{C}</math>, <math>\theta_{JA} = 65^\circ\text{C/W}</math></p>	<p>ORDER PART NUMBER</p> <p>LTC1164-6CN</p>	<p>SW PACKAGE 16-LEAD PLASTIC SO <math>T_{JMAX} = 110^\circ\text{C}</math>, <math>\theta_{JA} = 85^\circ\text{C/W}</math></p>	<p>ORDER PART NUMBER</p> <p>LTC1164-6CSW</p>
<p>J PACKAGE 14-LEAD CERDIP <math>T_{JMAX} = 150^\circ\text{C}</math>, <math>\theta_{JA} = 65^\circ\text{C/W}</math></p> <p><b>OBSOLETE PACKAGE</b></p> <p>Consider the N14 Package as an Alternate Source</p>	<p>LTC1164-6CJ LTC1164-6MJ</p>		

**Order Options** Tape and Reel: Add #TR Lead Free: Add #PBF Lead Free Tape and Reel: Add #TRPBF

Lead Free Part Marking: <http://www.linear.com/leadfree/>

Consult LTC Marketing for parts specified with wider operating temperature ranges.

**ELECTRICAL CHARACTERISTICS** The ● denotes specifications that apply over the full operating temperature range, otherwise specifications are at  $T_A = 25^\circ\text{C}$ .  $V_S = \pm 7.5V$ ,  $R_L = 10k$ ,  $T_A = 25^\circ\text{C}$ ,  $f_{CLK} = 400kHz$ , TTL or CMOS level (maximum clock rise or fall time  $\leq 1\mu s$ ) and all gain measurements are referenced to passband gain, unless otherwise specified. ( $f_{CLK}/f_{CUTOFF}$ ) = 4kHz at 100:1 and 8kHz at 50:1.

PARAMETER	CONDITIONS		MIN	TYP	MAX	UNITS
Passband Gain 0.1Hz to 0.25 $f_{CUTOFF}$ (Note 4)	$f_{IN} = 1kHz$ , ( $f_{CLK}/f_C$ ) = 100:1	●	-0.50	-0.15	0.25	dB
Passband Ripple with $V_S = \text{Single } 5V$	1Hz to 0.8 $f_C$ (Table 2)			0.1 to -0.3		dB
Gain at 0.50 $f_{CUTOFF}$ (Note 3)	$f_{IN} = 2kHz$ , ( $f_{CLK}/f_C$ ) = 100:1	●	-0.45	-0.10	0.10	dB
Gain at 0.90 $f_{CUTOFF}$ (Note 3)	$f_{IN} = 3.6kHz$ , ( $f_{CLK}/f_C$ ) = 100:1	●	-0.75	-0.30	0.10	dB
Gain at 0.95 $f_{CUTOFF}$ (Note 3)	$f_{IN} = 3.8kHz$ , ( $f_{CLK}/f_C$ ) = 100:1	●	-1.40	-0.70	-0.40	dB
Gain at $f_{CUTOFF}$ (Note 3)	$f_{IN} = 4kHz$ , ( $f_{CLK}/f_C$ ) = 100:1	●	-3.70	-2.70	-2.30	dB
	$f_{IN} = 8kHz$ , ( $f_{CLK}/f_C$ ) = 50:1	●	-3.10	-2.10	-1.50	dB
Gain at 1.44 $f_{CUTOFF}$ (Note 3)	$f_{IN} = 5.76kHz$ , ( $f_{CLK}/f_C$ ) = 100:1	●	-75	-64	-58	dB
Gain at 2.0 $f_{CUTOFF}$ (Note 3)	$f_{IN} = 8kHz$ , ( $f_{CLK}/f_C$ ) = 100:1	●	-75	-64	-58	dB
Gain with $f_{CLK} = 20kHz$	$f_{IN} = 200Hz$ , ( $f_{CLK}/f_C$ ) = 100:1		-3.70	-2.70	-2.30	dB
Gain with $V_S = \pm 2.375V$	$f_{IN} = 400kHz$ , $f_{IN} = 2kHz$ , ( $f_{CLK}/f_C$ ) = 100:1		-0.50	-0.10	0.30	dB
	$f_{IN} = 400kHz$ , $f_{IN} = 4kHz$ , ( $f_{CLK}/f_C$ ) = 100:1		-3.50	-2.50	-2.00	dB
Input Frequency Range (Tables 3, 4)	( $f_{CLK}/f_C$ ) = 100:1			0 - $<f_{CLK}/2$		kHz
	( $f_{CLK}/f_C$ ) = 50:1			0 - $<f_{CLK}$		kHz

11646fa

**ELECTRICAL CHARACTERISTICS** The ● denotes specifications that apply over the full operating temperature range, otherwise specifications are at  $T_A = 25^\circ\text{C}$ .  $V_S = \pm 7.5\text{V}$ ,  $R_L = 10\text{k}$ ,  $T_A = 25^\circ\text{C}$ ,  $f_{\text{CLK}} = 400\text{kHz}$ , TTL or CMOS level (maximum clock rise or fall time  $\leq 1\mu\text{s}$ ) and all gain measurements are referenced to passband gain, unless otherwise specified.  $(f_{\text{CLK}}/f_{\text{CUTOFF}}) = 4\text{kHz}$  at 100:1 and 8kHz at 50:1.

PARAMETER	CONDITIONS	MIN	TYP	MAX	UNITS
Maximum $f_{\text{CLK}}$ (Table 3)	$V_S \geq \pm 7.5\text{V}$		1.5		MHz
	$V_S \leq \pm 5\text{V}$		1.0		MHz
	$V_S = \text{Single } 5\text{V}, \text{AGND} = 2\text{V}$		1.0		MHz
Clock Feedthrough	Input at GND, $f = f_{\text{CLK}}$ , Square Wave $V_S = \pm 7.5\text{V}, (f_{\text{CLK}}/f_C) = 100:1$		500		$\mu\text{V}_{\text{RMS}}$
	$V_S = \pm 5\text{V}, (f_{\text{CLK}}/f_C) = 50:1$		200		$\mu\text{V}_{\text{RMS}}$
Wideband Noise	Input at GND, $1\text{Hz} \leq f < f_{\text{CLK}}$ $V_S = \pm 7.5\text{V}$		$115 \pm 5\%$		$\mu\text{V}_{\text{RMS}}$
	$V_S = \pm 2.5\text{V}$		$100 \pm 5\%$		$\mu\text{V}_{\text{RMS}}$
Input Impedance		45	75	110	$\text{k}\Omega$
Output DC Voltage Swing	$V_S = \pm 2.375\text{V}$	●	$\pm 1.25$	$\pm 1.50$	V
	$V_S = \pm 5\text{V}$	●	$\pm 3.70$	$\pm 4.10$	V
	$V_S = \pm 7.5\text{V}$	●	$\pm 5.40$	$\pm 5.90$	V
Output DC Offset	$V_S = \pm 5\text{V}, (f_{\text{CLK}}/f_C) = 100:1$		$\pm 100$	$\pm 160$	mV
Output DC Offset Tempco	$V_S = \pm 5\text{V}, (f_{\text{CLK}}/f_C) = 100:1$		$\pm 100$		$\mu\text{V}/^\circ\text{C}$
Power Supply Current	$V_S = \pm 2.375\text{V}, T_A > 25^\circ\text{C}$	●	2.5	4.0	mA
				4.5	mA
	$V_S = \pm 5\text{V}, T_A > 25^\circ\text{C}$	●	4.5	7.0	mA
		●		8.0	mA
	$V_S = \pm 7.5\text{V}, T_A > 25^\circ\text{C}$	●	7.0	11.0	mA
		●		12.5	mA
Power Supply Range			$\pm 2.375$	$\pm 8$	V

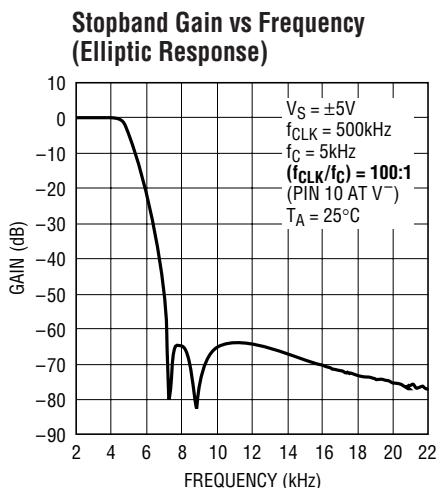
**Note 1:** Stresses beyond those listed under Absolute Maximum Ratings may cause permanent damage to the device. Exposure to any Absolute Maximum Rating condition for extended periods may affect device reliability and lifetime.

**Note 2:** Connecting any pin to voltages greater than  $V^+$  or less than  $V^-$  may cause latch-up. It is recommended that no sources operating from external supplies be applied prior to power-up of the LTC1164-6.

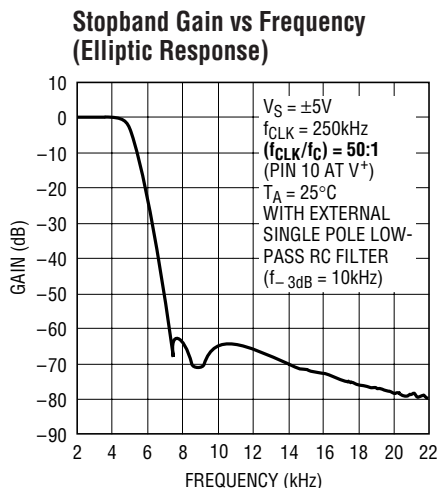
**Note 3:** All gains are measured relative to passband gain.

**Note 4:** The cutoff frequency of the filter is abbreviated as  $f_{\text{CUTOFF}}$  or  $f_C$ .

**TYPICAL PERFORMANCE CHARACTERISTICS**



1164-6 G01

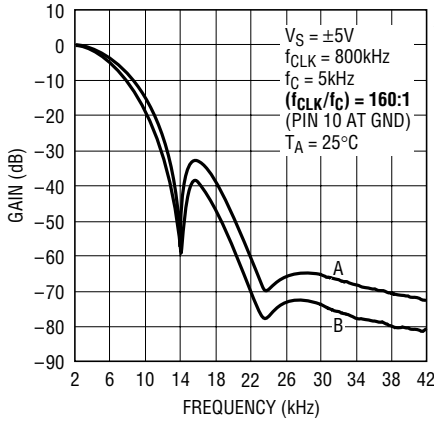


1164-6 G02

11646fa

TYPICAL PERFORMANCE CHARACTERISTICS

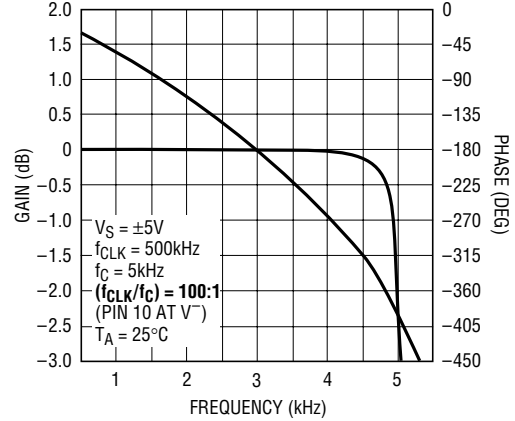
Stopband Gain vs Frequency (Linear Phase Response)



- A. RESPONSE WITHOUT EXTERNAL RC FILTER
- B. RESPONSE WITH AN EXTERNAL SINGLE POLE LOWPASS RC FILTER ( $f_{-3dB}$  AT 10kHz)

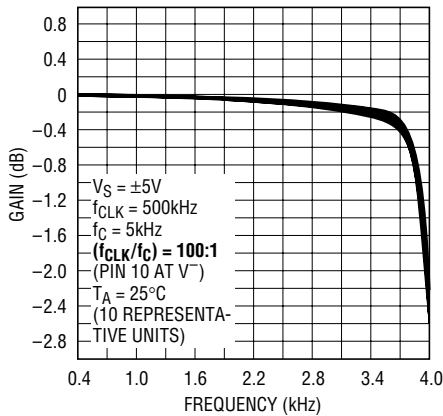
1164-6 G03

Passband Gain and Phase vs Frequency



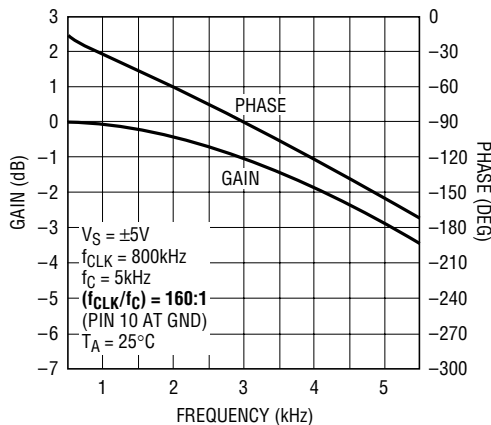
1164-6 G04

Passband Gain vs Frequency



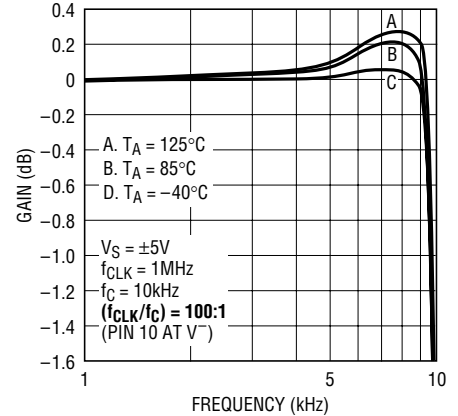
1164-6 G05

Passband Gain and Phase vs Frequency (Linear Phase Response)



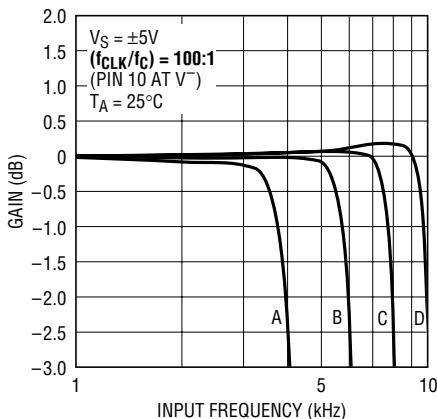
1164-6 G11

Maximum Passband over Temperature



1164-6 G07

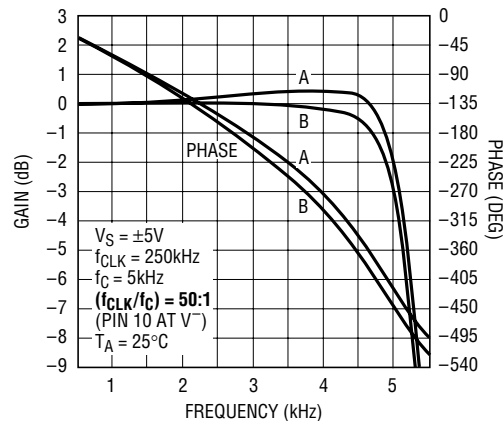
Passband vs Frequency and  $f_{CLK}$



1164-6 G06

- A.  $f_{CLK} = 400kHz$ ,  $f_{CUTOFF} = 4kHz$
- B.  $f_{CLK} = 600kHz$ ,  $f_{CUTOFF} = 6kHz$
- C.  $f_{CLK} = 800kHz$ ,  $f_{CUTOFF} = 8kHz$
- D.  $f_{CLK} = 1MHz$ ,  $f_{CUTOFF} = 10kHz$

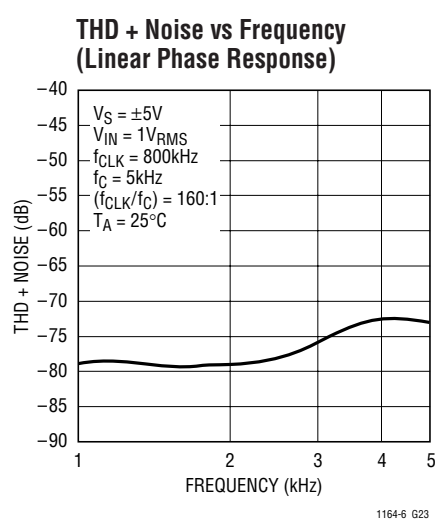
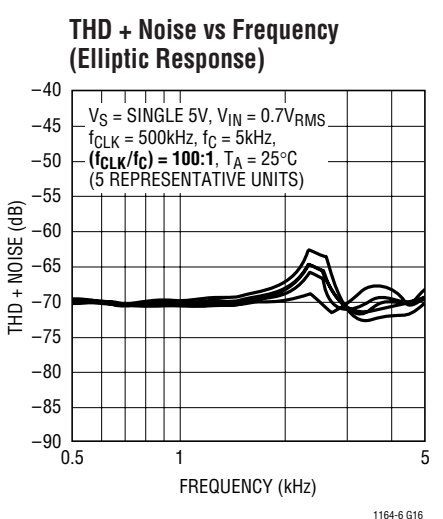
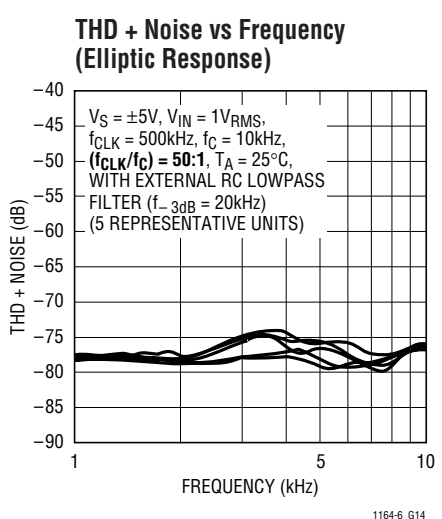
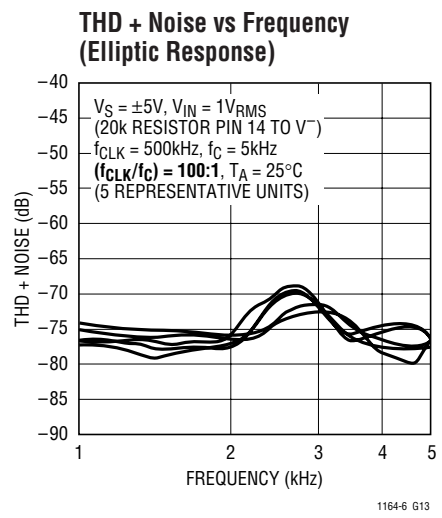
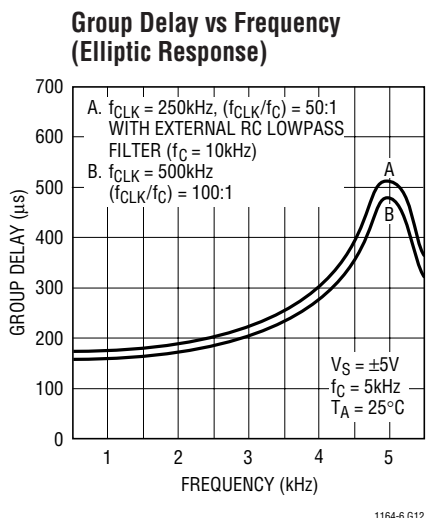
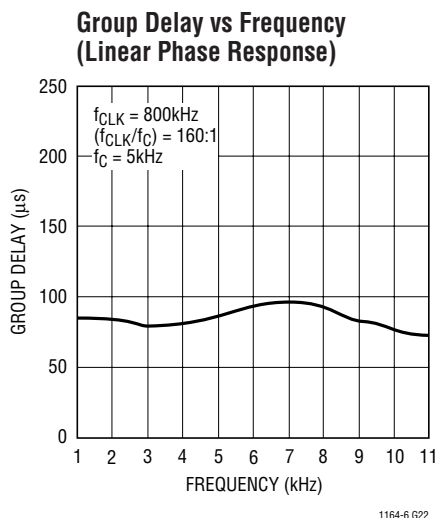
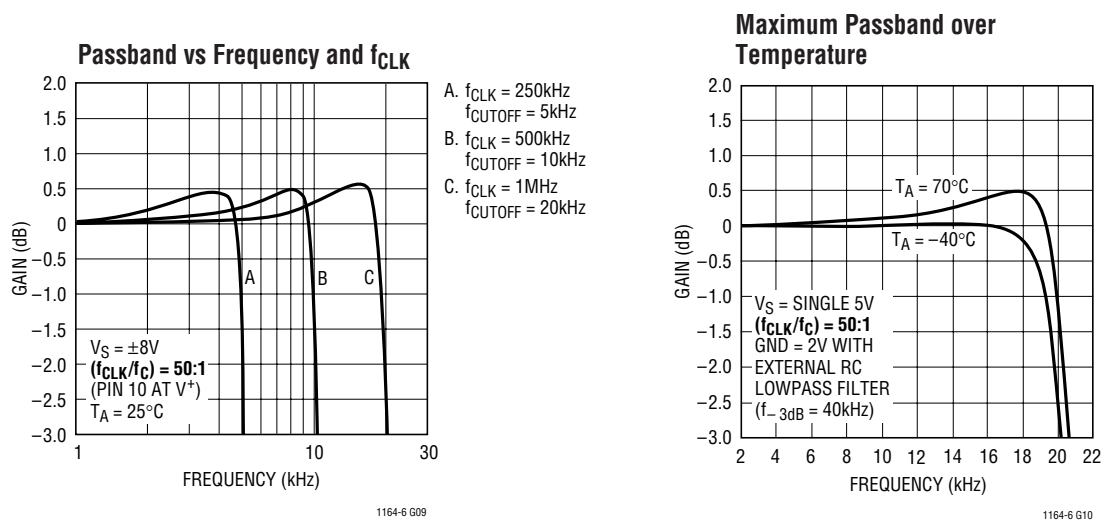
Passband Gain and Phase vs Frequency and  $f_{CLK}$



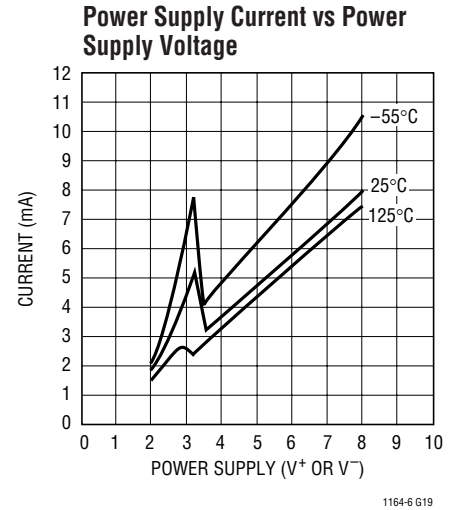
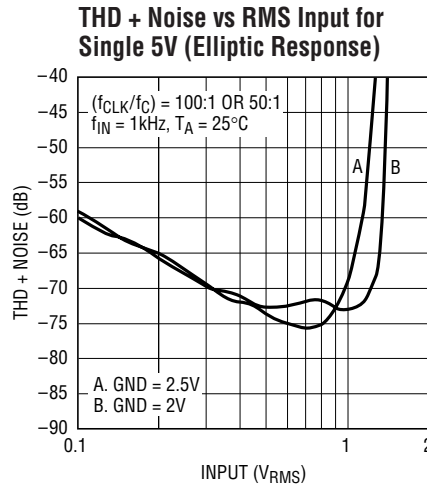
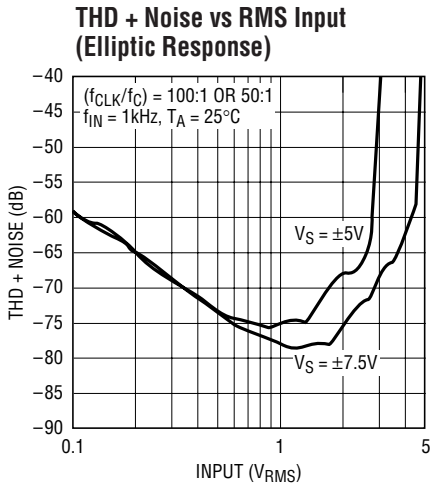
1164-6 G08

- A. RESPONSE WITHOUT EXTERNAL SINGLE POLE RC FILTER
- B. RESPONSE WITH AN EXTERNAL SINGLE POLE LOWPASS RC FILTER ( $f_{-3dB}$  AT 10kHz)

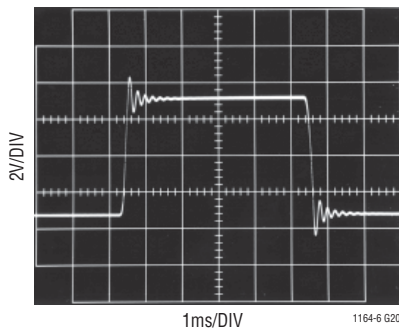
# TYPICAL PERFORMANCE CHARACTERISTICS



## TYPICAL PERFORMANCE CHARACTERISTICS

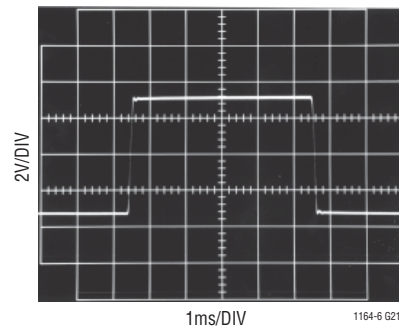


**Transient Response**



$V_S = \pm 7.5V$ ,  $V_{IN} = \pm 3V$  100Hz SQUARE WAVE  
 $f_{CLK} = 500kHz$ ,  $(f_{CLK}/f_C) = 100:1$ ,  $f_{CUTOFF} = 5kHz$   
ELLIPTIC RESPONSE

**Transient Response**



$V_S = \pm 7.5V$ ,  $V_{IN} = \pm 3V$  100Hz SQUARE WAVE  
 $f_{CLK} = 800kHz$ ,  $(f_{CLK}/f_C) = 160:1$ ,  $f_{CUTOFF} = 5kHz$   
LINEAR PHASE RESPONSE

## PIN FUNCTIONS (14-Lead Dual-In-Line Package)

**NC (Pins 1, 8, 13):** Pins 1, 8, and 13 are not connected to any internal circuit point on the device and should preferably be tied to analog ground.

**$V_{IN}$  (Pin 2):** The input pin is connected internally through a 50k resistor tied to the inverting input of an op amp.

**GND (Pins 3, 5):** The filter performance depends on the quality of the analog signal ground. For either dual or single supply operation, an analog ground plane surrounding the package is recommended. The analog ground plane should be connected to any digital ground at a single point. For dual supply operation, Pins 3 and 5 should be connected to the analog ground plane. For single supply operation Pins 3 and 5 should be biased at 1/2 supply and they should be bypassed to the analog ground plane with

at least a 1 $\mu$ F capacitor (Figure 2). For single 5V operation at the highest  $f_{CLK}$  of 1MHz, Pins 3 and 5 should be biased at 2V. This minimizes passband gain and phase variations (see Typical Performance Characteristics curves: Maximum Passband for Single 5V, 50:1; and THD + Noise vs RMS Input for Single 5V, 50:1).

**$V^+$  (Pins 4, 12):** The  $V^+$  (Pin 4) and the  $V^-$  (Pin 12) should be bypassed with a 0.1 $\mu$ F capacitor to an adequate analog ground. The filter's power supplies should be isolated from other digital or high voltage analog supplies. A low noise linear supply is recommended. Using a switching power supply will lower the signal-to-noise ratio of the filter. The supply during power-up should have a slew rate less than 1V/ $\mu$ s. When  $V^+$  is applied before  $V^-$  and  $V^-$

## PIN FUNCTIONS (14-Lead Dual-In-Line Package)

could go above ground, a signal diode must be used to clamp  $V$ . Figures 1 and 2 show typical connections for dual and single supply operation.

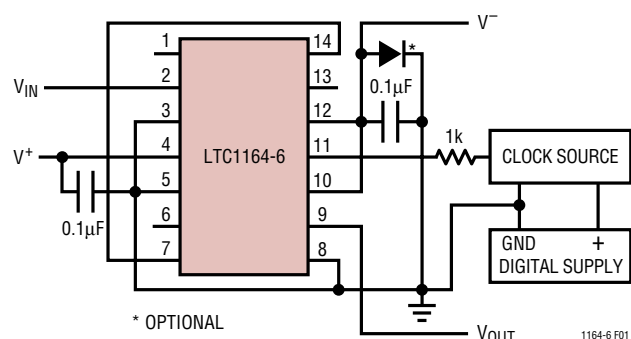


Figure 1. Dual Supply Operation for  $f_{CLK}/f_{CUTOFF} = 100:1$

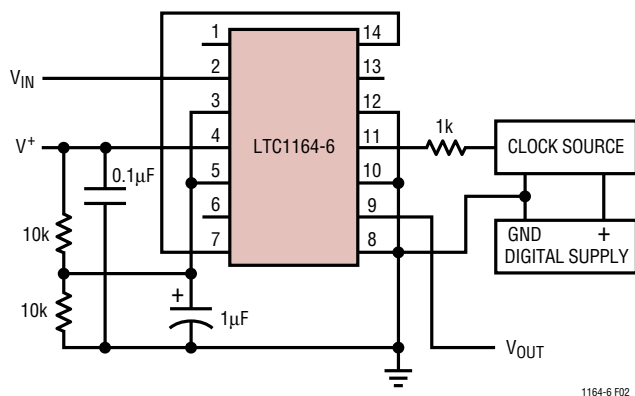


Figure 2. Single Supply Operation for  $f_{CLK}/f_{CUTOFF} = 100:1$

Table 1. Clock Source High and Low Threshold Levels

POWER SUPPLY	HIGH LEVEL	LOW LEVEL
Dual Supply = $\pm 7.5V$	$\geq 2.18V$	$\leq 0.5V$
Dual Supply = $\pm 5V$	$\geq 1.45V$	$\leq 0.5V$
Dual Supply = $\pm 2.5V$	$\geq 0.73V$	$\leq -2.0V$
Single Supply = 12V	$\geq 7.80V$	$\leq 6.5V$
Single Supply = 5V	$\geq 1.45V$	$\leq 0.5V$

**V<sup>-</sup> (Pins 7, 14):** Pins 7 and 14 should be connected together. In a printed circuit board the connection should be done under the IC package through a short trace surrounded by the analog ground plane.

**V<sub>OUT</sub> (Pins 9, 6):** Pin 9 is the specified output of the filter; it can typically source or sink 1mA. Driving coaxial cables or resistive loads less than 20k will degrade the total harmonic distortion of the filter. When evaluating the device's distortion an output buffer is required. A noninverting

buffer, Figure 3, can be used provided that its input common mode range is well within the filter's output swing. Pin 6 is an intermediate filter output providing an unspecified 6th order lowpass filter. Pin 6 should not be loaded.

**ELLIPTIC/LINEAR PHASE (Pin 10):** The DC level at this pin selects the desired filter response, elliptic or linear phase and determines the ratio of the clock frequency to the cutoff frequency of the filter. Pin 10 connected to  $V^-$  provides an elliptic lowpass filter with clock-to- $f_{CUTOFF}$  ratio of 100:1. Pin 10 connected to analog ground provides a linear phase lowpass filter with a clock-to- $f_{-3dB}$  ratio of 160:1 and a transient response overshoot of 1%. When Pin 10 is connected to  $V^+$  the clock-to- $f_{CUTOFF}$  ratio is 50:1 and the filter response is elliptic. Bypassing Pin 10 to analog ground reduces the output DC offsets. If the DC level at Pin 10 is switched mechanically or electrically at slow rates greater than  $1V/\mu s$  while the device is operating, a 10k resistor should be connected between Pin 10 and the DC source.

**CLK (Pin 11):** Any TTL or CMOS clock source with a square-wave output and 50% duty cycle ( $\pm 10\%$ ) is an adequate clock source for the device. The power supply for the clock source should not be the filter's power supply. The analog ground for the filter should be connected to clock's ground at a single point only. Table 1 shows the clock's low and high level threshold value for a dual or single supply operation. A pulse generator can be used as a clock source provided the high level ON time is greater than  $0.5\mu s$ . Sine waves are not recommended for clock input frequencies less than 100kHz, since excessively slow clock rise or fall times generate internal clock jitter (maximum clock rise or fall time  $\leq 1\mu s$ ). The clock signal should be routed from the right side of the IC package to avoid coupling into any input or output analog signal path. A 1k resistor between clock source and Pin 11 will slow down the rise and fall times of the clock to further reduce charge coupling, Figures 1 and 2.

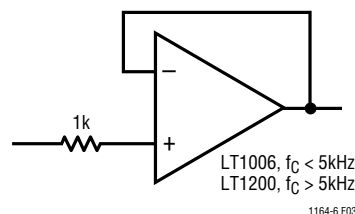


Figure 3. Buffer for Filter Output

## APPLICATIONS INFORMATION

### Passband Response

The passband response of the LTC1164-6 is optimized for a  $f_{CLK}/f_{CUTOFF}$  ratio of 100:1. Minimum passband ripple occurs from 1Hz to 80% of  $f_{CUTOFF}$ . Although the passband of the LTC1164-6 is optimized for ratio  $f_{CLK}/f_{CUTOFF}$  of 100:1, if a ratio of 50:1 is desired, connect a single pole lowpass RC ( $f_{-3dB} = 2 f_{CUTOFF}$ ) at the output of the filter. The RC will make the passband gain response as flat as the 100:1 case. If the RC is omitted, and clock frequencies are below 500kHz the passband gain will peak by 0.4dB at 90%  $f_{CUTOFF}$ .

**Table 2. Typical Passband Ripple with Single 5V Supply ( $f_{CLK}/f_C = 100:1$ , GND = 2V, 30kHz, Fixed Single Pole, Lowpass RC Filter at Pin 9 (See Typical Applications))**

PASSBAND FREQUENCY	PASSBAND GAIN (REFERENCED TO 0dB)			
	$f_{CUTOFF} = 1kHz$		$f_{CUTOFF} = 10kHz$	
	$T_A = 25^\circ C$ (dB)	$T_A = 0^\circ C$ (dB)	$T_A = 25^\circ C$ (dB)	$T_A = 70^\circ C$ (dB)
10	0.00	0.00	0.00	0.00
20	-0.02	0.00	0.01	0.01
30	-0.05	-0.01	-0.01	0.01
40	-0.10	-0.02	-0.02	0.02
50	-0.13	-0.03	-0.01	0.03
60	-0.15	-0.01	0.01	0.05
70	-0.18	-0.01	0.01	0.07
80	-0.25	-0.08	-0.05	0.02
90	-0.39	-0.23	-0.18	-0.05
$f_{CUTOFF}$	-2.68	-2.79	-2.74	-2.68

The gain peaking can approximate a  $\sin \chi/\chi$  correction for some applications. (See Typical Performance Characteristics curve, Passband vs Frequency and  $f_{CLK}$  at  $f_{CLK}/f_C = 50:1$ .)

When the LTC1164-6 operates with a single 5V supply and its cutoff frequency is clock-tuned to 10kHz, an output single pole RC filter can also help maintain outstanding passband flatness from 0°C to 70°C. Table 2 shows details.

### Clock Feedthrough

Clock feedthrough is defined as, the RMS value of the clock frequency and its harmonics that are present at the filter's output (Pin 9). The clock feedthrough is tested with the input (Pin 2) grounded and, it depends on PC board layout and on the value of the power supplies. With proper layout techniques the values of the clock feedthrough are shown in Table 3.

**Table 3. Clock Feedthrough**

$V_S$	50:1	100:1
$\pm 2.5V$	60 $\mu V_{RMS}$	60 $\mu V_{RMS}$
$\pm 5V$	100 $\mu V_{RMS}$	200 $\mu V_{RMS}$
$\pm 7.5V$	150 $\mu V_{RMS}$	500 $\mu V_{RMS}$

Note: The clock feedthrough at  $\pm 2.5V$  supplies is imbedded in the wideband noise of the filter. (The clock signal is a square wave.)

Any parasitic switching transients during the rise and fall edges of the incoming clock are not part of the clock feedthrough specifications. Switching transients have frequency contents much higher than the applied clock; their amplitude strongly depends on scope probing techniques as well as grounding and power supply bypassing. The clock feedthrough, if bothersome, can be greatly reduced by adding a simple R/C lowpass network at the output of the filter (Pin 9). This R/C will completely eliminate any switching transient.

### Wideband Noise

The wideband noise of the filter is the total RMS value of the device's noise spectral density and it is used to determine the operating signal-to-noise ratio. Most of its frequency contents lie within the filter passband and it cannot be reduced with post filtering. For instance, the LTC1164-6 wideband noise at  $\pm 2.5V$  supply is 100 $\mu V_{RMS}$ , 90 $\mu V_{RMS}$  of which have frequency contents from DC up to the filter's cutoff frequency. The total wideband noise ( $\mu V_{RMS}$ ) is nearly independent of the value of the clock. The clock feedthrough specifications are not part of the wideband noise.

### Speed Limitations

The LTC1164-6 optimizes AC performance versus power consumption. To avoid op amp slew rate limiting at maximum clock frequencies, the signal amplitude should be kept below a specified level as shown on Table 4.

### Aliasing

Aliasing is an inherent phenomenon of sampled data systems and it occurs when input frequencies close to the sampling frequency are applied. For the LTC1164-6 case, an input signal whose frequency is in the range of  $f_{CLK} \pm 4\%$ , will be aliased back into the filter's passband. If, for instance, an LTC1164-6 operating with a 100kHz clock



## APPLICATIONS INFORMATION

and 1kHz cutoff frequency receives a 98.5kHz, 10mV<sub>RMS</sub> input signal, a 1.5kHz, 10μV<sub>RMS</sub> alias signal will appear at its output. When the LTC1164-6 operates with a clock-to-cutoff frequency of 50:1, aliasing occurs at twice the clock frequency. Table 5 shows details.

**Table 4. Maximum V<sub>IN</sub> vs V<sub>S</sub> and f<sub>CLK</sub>**

POWER SUPPLY	MAXIMUM f <sub>CLK</sub>	MAXIMUM V <sub>IN</sub>
±7.5V	1.5MHz	1V <sub>RMS</sub> (f <sub>IN</sub> > 35kHz)
	1MHz	3V <sub>RMS</sub> (f <sub>IN</sub> > 25kHz)
	≥1MHz	0.7V <sub>RMS</sub> (f <sub>IN</sub> > 250kHz)
±5V	1MHz	2.5V <sub>RMS</sub> (f <sub>IN</sub> > 25kHz)
	1MHz	0.5V <sub>RMS</sub> (f <sub>IN</sub> > 100kHz)
Single 5V	1MHz	0.7V <sub>RMS</sub> (f <sub>IN</sub> > 25kHz)
	1MHz	0.5V <sub>RMS</sub> (f <sub>IN</sub> > 100kHz)

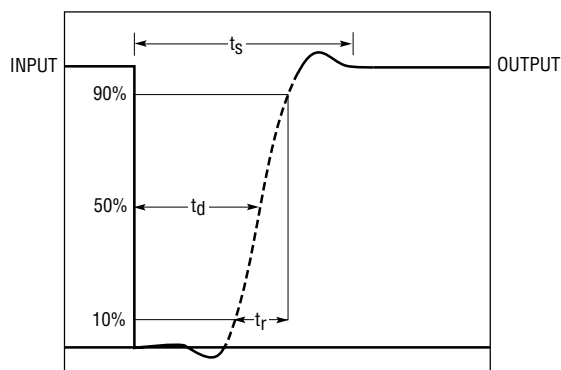
**Table 5. Aliasing (f<sub>CLK</sub> = 100kHz)**

INPUT FREQUENCY (V <sub>IN</sub> = 1V <sub>RMS</sub> ) (kHz)	OUTPUT LEVEL (Relative to Input) (dB)	OUTPUT FREQUENCY (Aliased Frequency) (kHz)
<b>f<sub>CLK</sub>/f<sub>C</sub> = 100:1, f<sub>CUTOFF</sub> = 1kHz</b>		
96 (or 104)	-75.0	4.0
97 (or 103)	-68.0	3.0
98 (or 102)	-65.0	2.0
98.5 (or 101.5)	-60.0	1.5
99 (or 101)	-3.2	1.0
99.5 (or 100.5)	-0.5	0.5
<b>f<sub>CLK</sub>/f<sub>C</sub> = 50:1, f<sub>CUTOFF</sub> = 2kHz</b>		
192 (or 208)	-76.0	8.0
194 (or 206)	-68.0	6.0
196 (or 204)	-63.0	4.0
198 (or 202)	-3.4	2.0
199 (or 201)	-1.3	1.0
199.5 (or 200.5)	-0.9	0.5

**Table 6. Transient Response of LTC Lowpass Filters**

LOWPASS FILTER	DELAY TIME* (SEC)	RISE TIME** (SEC)	SETTLING TIME*** (SEC)	OVER-SHOOT (%)
LTC1064-3 Bessel	0.50/f <sub>C</sub>	0.34/f <sub>C</sub>	0.80/f <sub>C</sub>	0.5
LTC1164-5 Linear Phase	0.43/f <sub>C</sub>	0.34/f <sub>C</sub>	0.85/f <sub>C</sub>	0
LTC1164-6 Linear Phase	0.43/f <sub>C</sub>	0.34/f <sub>C</sub>	1.15/f <sub>C</sub>	1
LTC1264-7 Linear Phase	1.15/f <sub>C</sub>	0.36/f <sub>C</sub>	2.05/f <sub>C</sub>	5
LTC1164-7 Linear Phase	1.20/f <sub>C</sub>	0.39/f <sub>C</sub>	2.20/f <sub>C</sub>	5
LTC1064-7 Linear Phase	1.20/f <sub>C</sub>	0.39/f <sub>C</sub>	2.20/f <sub>C</sub>	5
LTC1164-5 Butterworth	0.80/f <sub>C</sub>	0.48/f <sub>C</sub>	2.40/f <sub>C</sub>	11
LTC1164-6 Elliptic	0.85/f <sub>C</sub>	0.54/f <sub>C</sub>	4.30/f <sub>C</sub>	18
LTC1064-4 Elliptic	0.90/f <sub>C</sub>	0.54/f <sub>C</sub>	4.50/f <sub>C</sub>	20
LTC1064-1 Elliptic	0.85/f <sub>C</sub>	0.54/f <sub>C</sub>	6.50/f <sub>C</sub>	20

\* To 50% ±5%, \*\* 10% to 90% ±5%, \*\*\* To 1% ±0.5%



$$\text{RISE TIME (} t_r \text{)} = \frac{0.54}{f_{\text{CUTOFF}}} \pm 5\%$$

$$\text{SETTLING TIME (} t_s \text{)} = \frac{4.3}{f_{\text{CUTOFF}}} \pm 5\%$$

(TO 1% OF OUTPUT)

$$\text{TIME DELAY (} t_d \text{)} = \text{GROUP DELAY} = \frac{0.85}{f_{\text{CUTOFF}}}$$

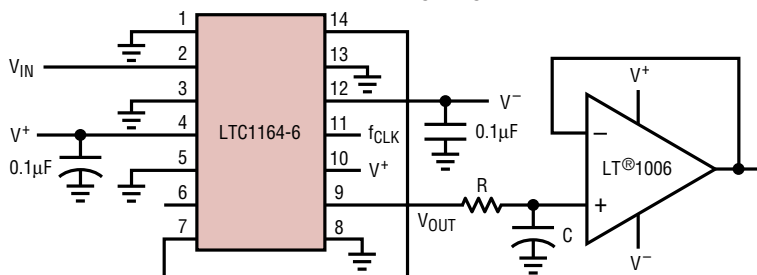
(TO 50% OF OUTPUT)

1164-6 F04

**Figure 4**

## TYPICAL APPLICATIONS

**8th Order Elliptic Lowpass Filter**  
(f<sub>CLK</sub>/f<sub>C</sub>) = 50:1

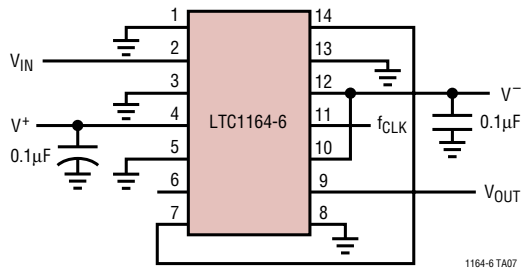


- NOTES:
- OPTIONAL OUTPUT BUFFER  
1/2πRC = (2)(f<sub>CUTOFF</sub>)
  - PINS 1, 8, 13 CAN BE GROUNDED OR LEFT FLOATING

1164-6 TA06

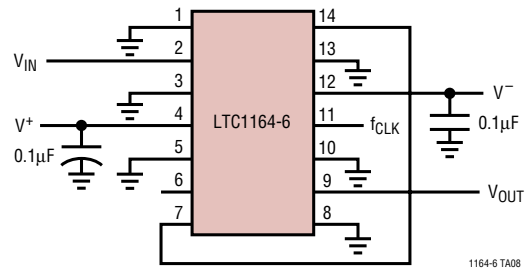
TYPICAL APPLICATIONS

8th Order Elliptic Lowpass Filter ( $f_{CLK}/f_c$ ) = 100:1



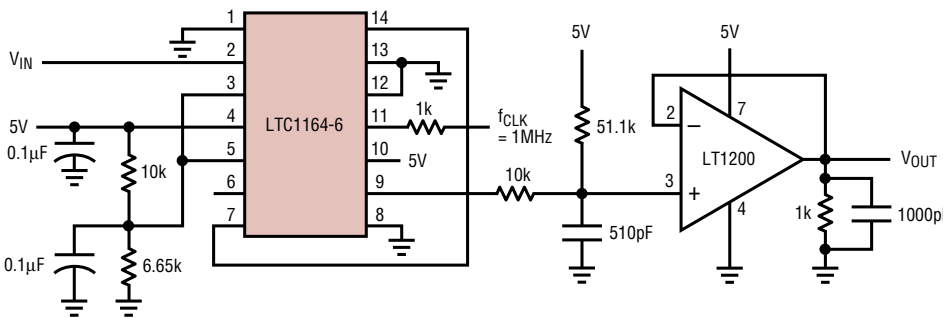
1164-6 TA07

8th Order Linear Phase Lowpass Filter ( $f_{CLK}/f_c$ ) = 160:1



1164-6 TA08

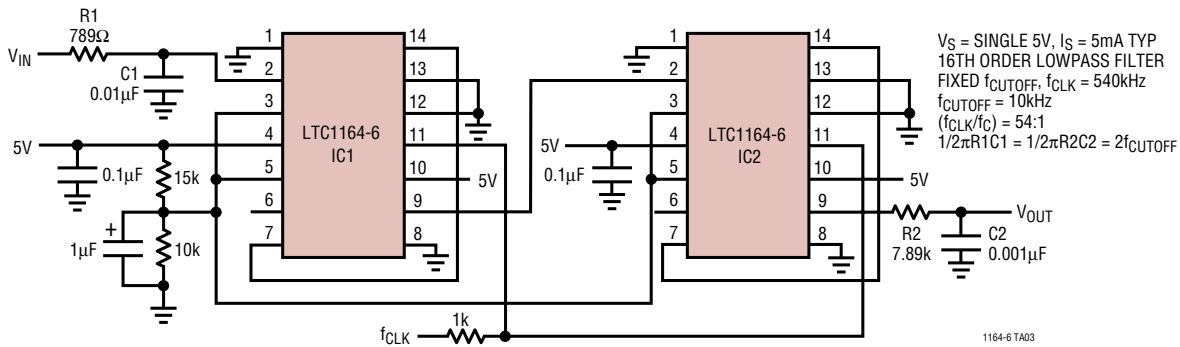
8th Order 20kHz Cutoff, Elliptic Filter Operating with a Single 5V Supply and Driving 1k, 1000pF Load



- NOTES:
- TOTAL SUPPLY CURRENT  $I_S$  = 4mA (EXCLUDING OUTPUT LOAD CURRENT)
  - FLAT PASSBAND UP TO 18kHz,  $f_{-3dB}$  = 20kHz
  - THD + NOISE  $\leq$  -70dB,  $1V_{P-P} \leq V_{IN} \leq 3V_{P-P}$ ,  $f_{IN}$  = 1kHz

1164-6 TA09

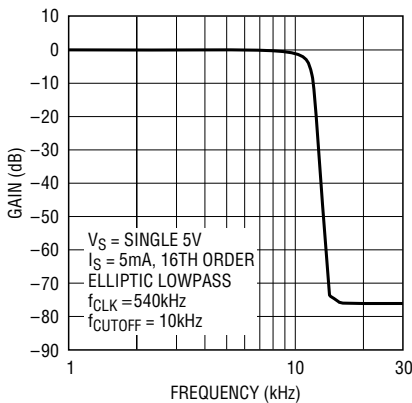
Single 5V, 16th Order Lowpass Filter  $f_{CUTOFF}$  = 10kHz



- $V_S$  = SINGLE 5V,  $I_S$  = 5mA TYP  
 16TH ORDER LOWPASS FILTER  
 FIXED  $f_{CUTOFF}$ ,  $f_{CLK}$  = 540kHz  
 $f_{CUTOFF}$  = 10kHz  
 $(f_{CLK}/f_c)$  = 54:1  
 $1/2\pi R1C1 = 1/2\pi R2C2 = 2f_{CUTOFF}$

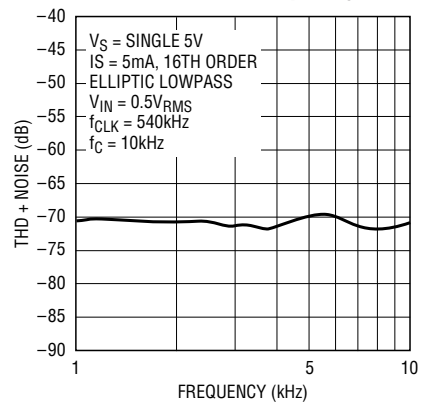
1164-6 TA03

Gain vs Frequency



1164-6 TA04

THD + Noise vs Frequency

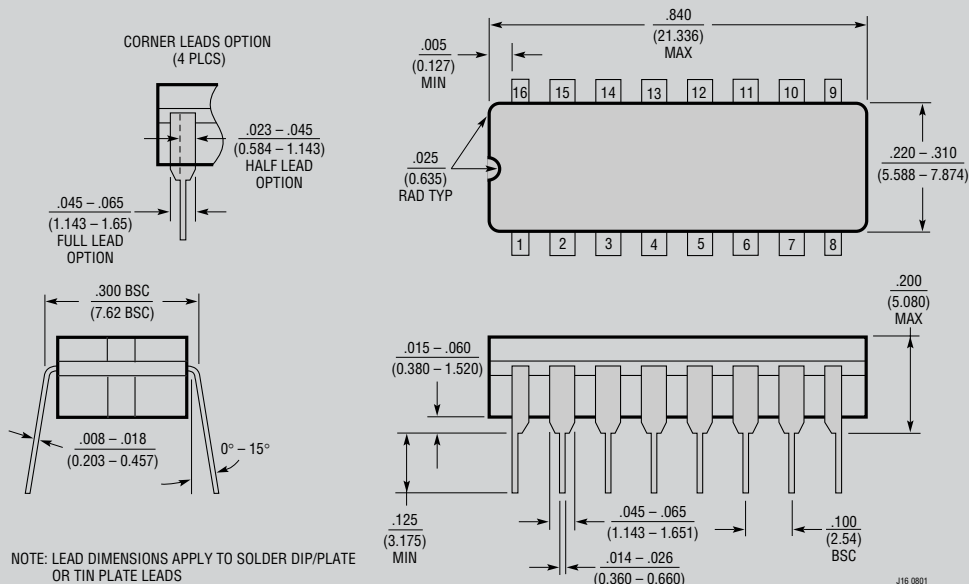


1164-6 TA05

11646fa

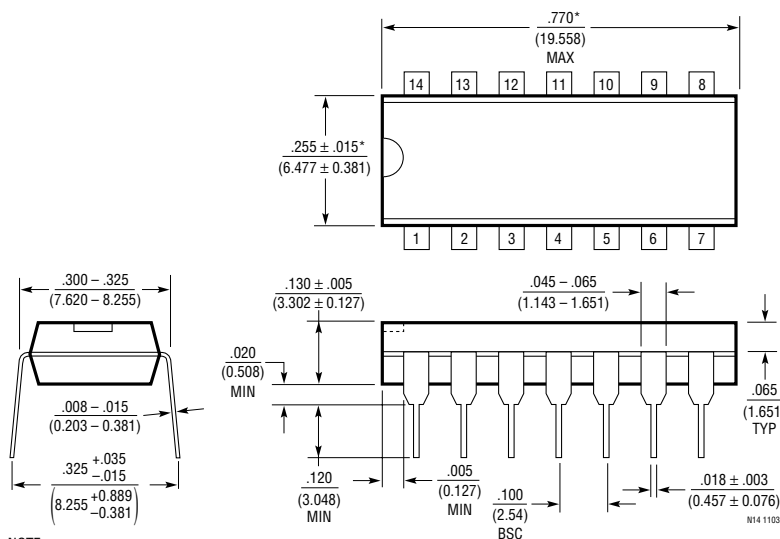
# PACKAGE DESCRIPTION

## J Package 14-Lead Cerdip (Narrow .300 Inch, Hermetic) (Reference LTC DWG # 05-08-1110)



**OBsolete PACKAGE**

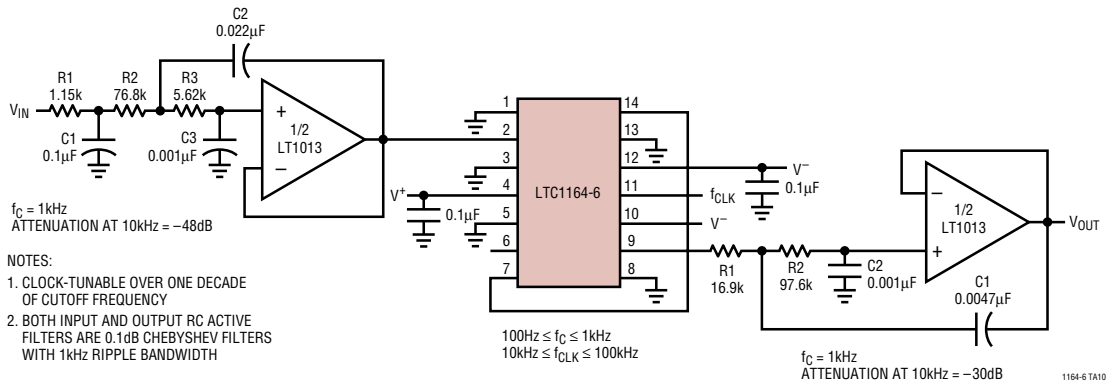
## N Package 14-Lead PDIP (Narrow .300 Inch) (Reference LTC DWG # 05-08-1510)



NOTE:  
1. DIMENSIONS ARE  $\frac{\text{INCHES}}{\text{MILLIMETERS}}$   
\*THESE DIMENSIONS DO NOT INCLUDE MOLD FLASH OR PROTRUSIONS.  
MOLD FLASH OR PROTRUSIONS SHALL NOT EXCEED .010 INCH (0.254mm)

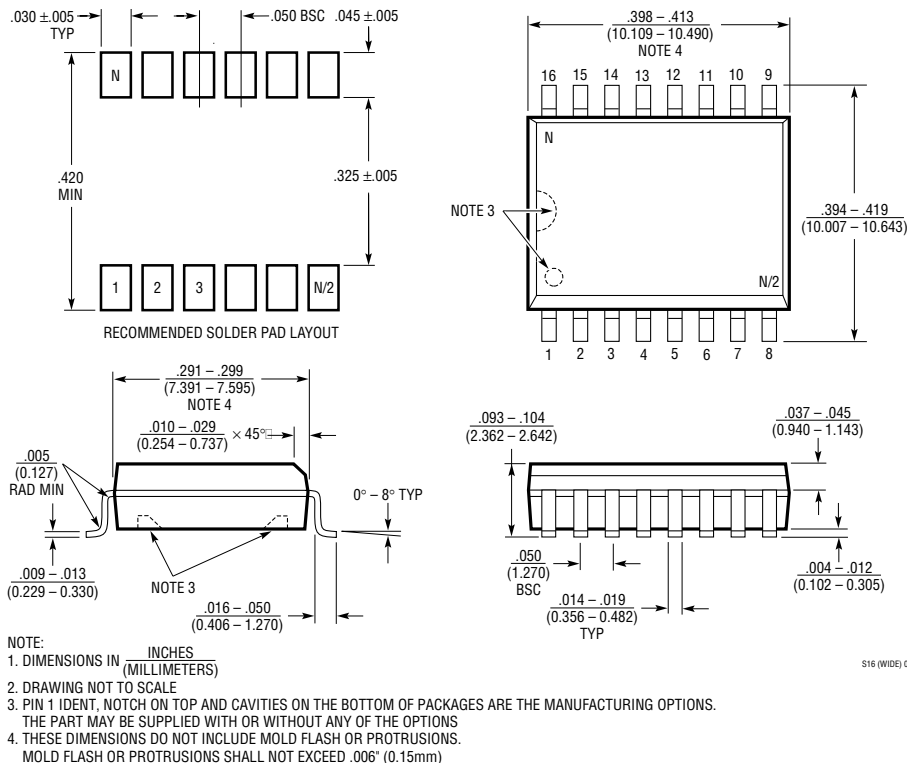
# TYPICAL APPLICATION

8th Order Low Power, Clock-Tunable Elliptic Filter with Active RC Input Antialiasing Filter and Output Smoothing Filter



# PACKAGE DESCRIPTION

SW Package  
16-Lead Plastic Small Outline (Wide .300 Inch)  
(Reference LTC DWG # 05-08-1620)



# RELATED PARTS

PART NUMBER	DESCRIPTION	COMMENTS
LTC1069-1	Low Power, 8th Order Elliptic Lowpass	Operates from a Single 3.3V to ±5V Supply
LTC1069-6	Very Low Power 8th Order Elliptic Lowpass	Optimized for 3V/5V Single Supply Operation, Consumes 1mA at 3V