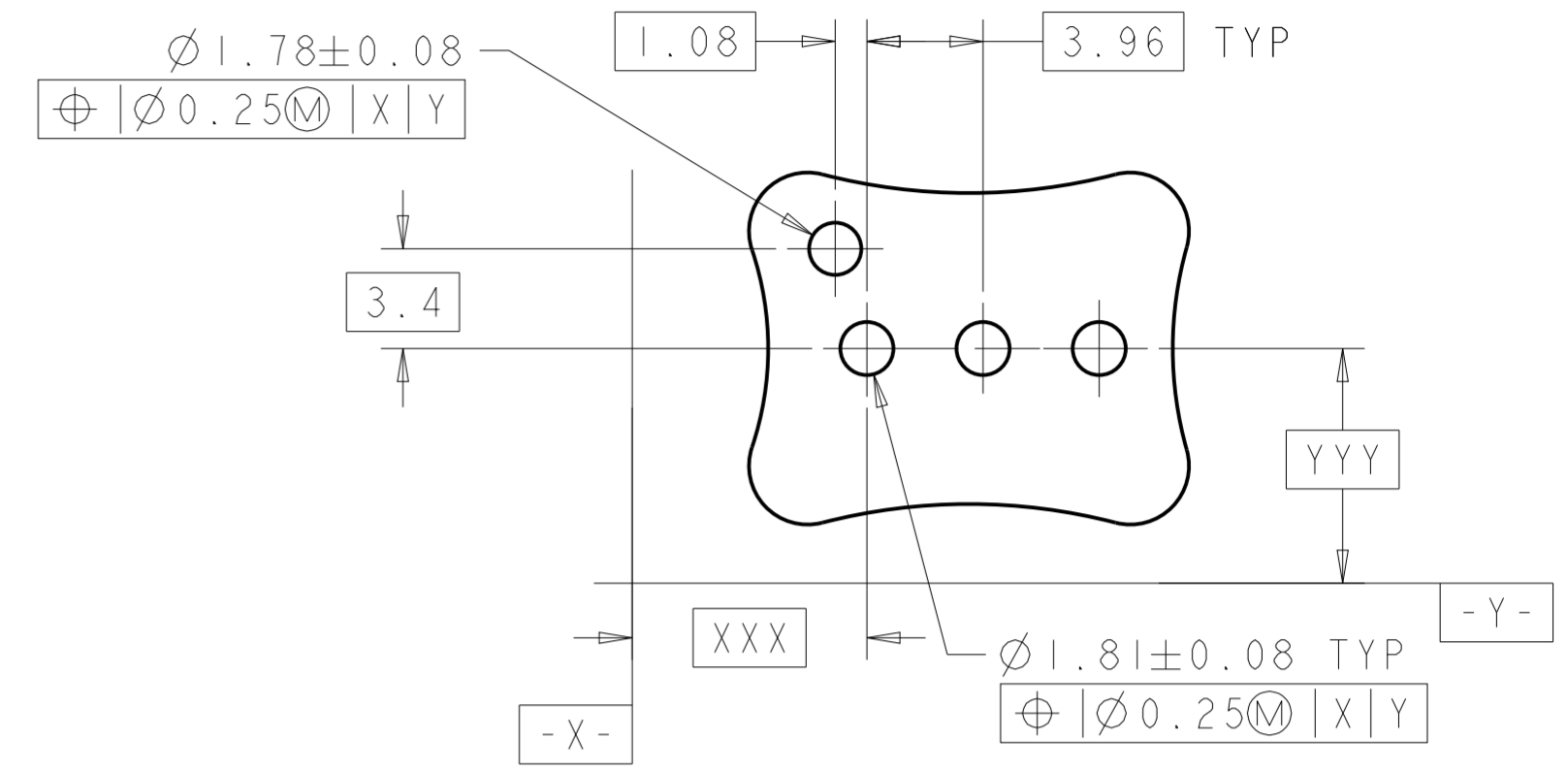
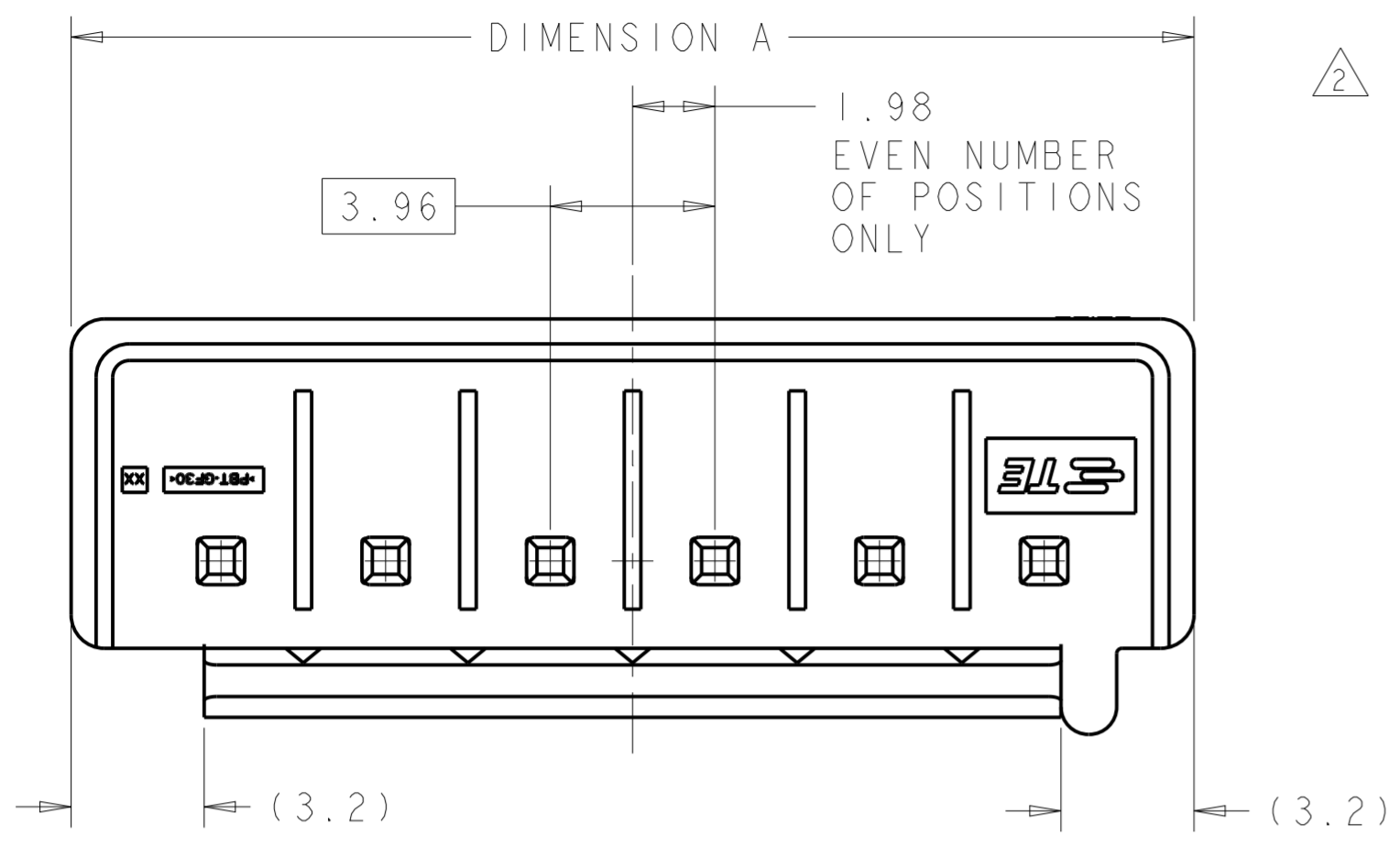


THIS DRAWING IS UNPUBLISHED. RELEASED FOR PUBLICATION 20
 © COPYRIGHT 20 BY - ALL RIGHTS RESERVED.

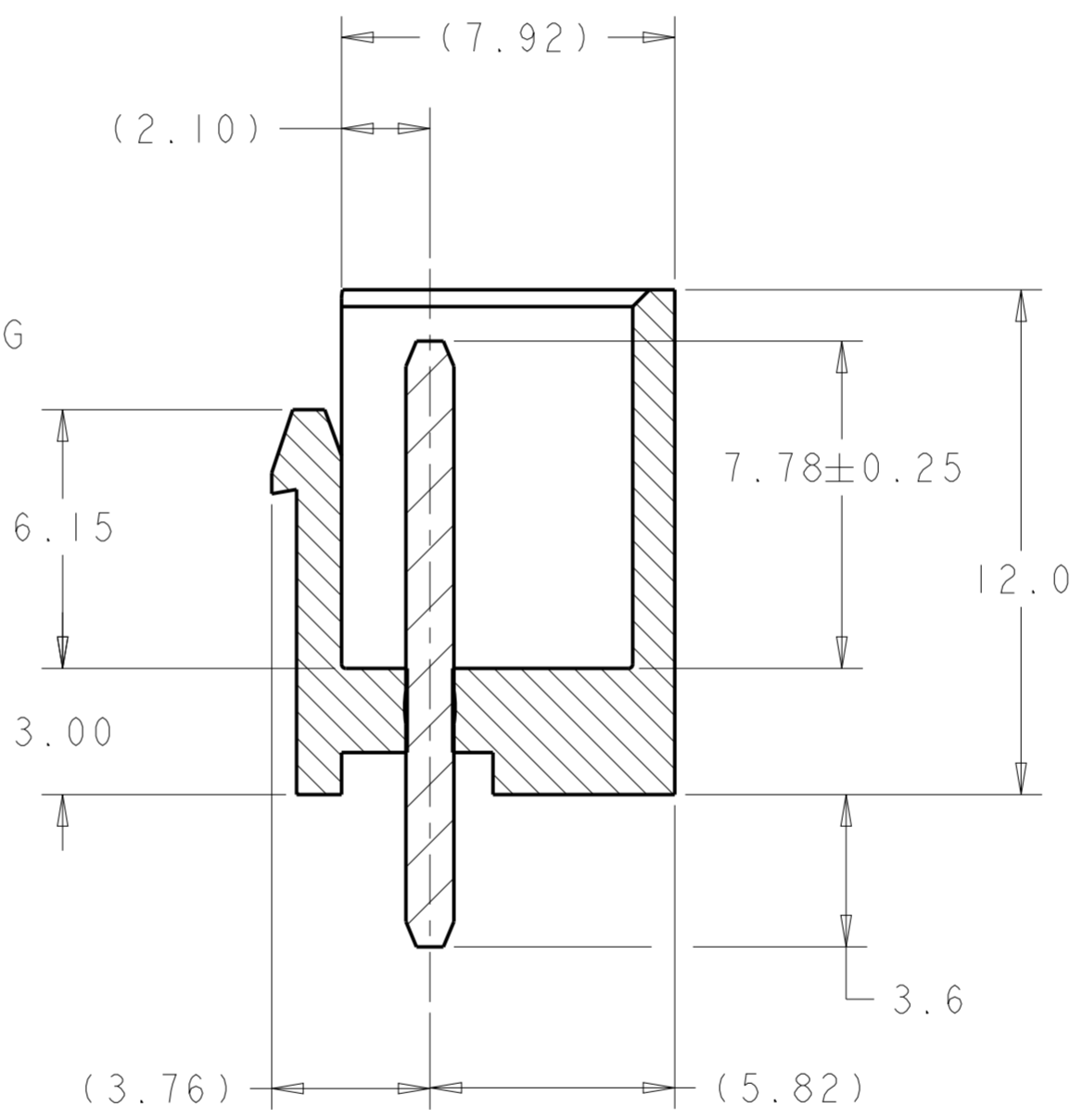
LOC	DIST	REVISIONS					
GP	00	P	LTR	DESCRIPTION	DATE	DWN	APVD
		D		REVISED PER ECR-14-002687	07MAR2014	NK	TM

- 1 MATERIAL: HOUSING; PBT GLASS FILLED UL94V-0
PIN; BRASS
- 2 FINISH: PIN, 1.0µm MIN TIN OVER 0.8µm MIN NICKEL.

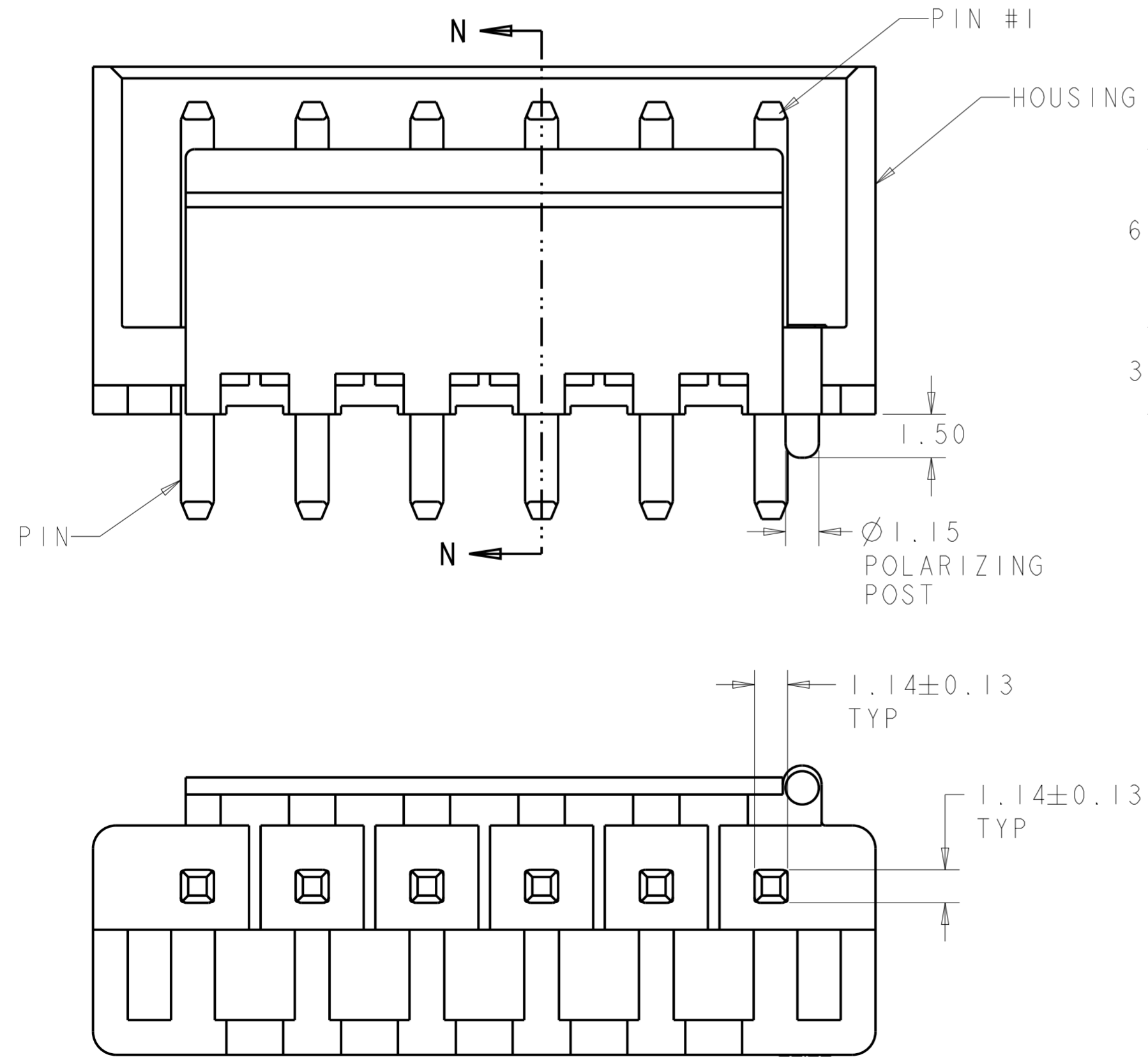


RECOMMENDED PCB LAYOUT
SCALE 4:1

BLACK	50.77	12	3-1877285-2
BLACK	46.81	11	3-1877285-1
BLACK	42.85	10	3-1877285-0
BLACK	38.89	9	2-1877285-9
BLACK	34.93	8	2-1877285-8
BLACK	30.97	7	2-1877285-7
BLACK	27.01	6	2-1877285-6
BLACK	23.05	5	2-1877285-5
BLACK	19.09	4	2-1877285-4
BLACK	15.13	3	2-1877285-3
BLACK	11.17	2	2-1877285-2
WHITE	50.77	12	1-1877285-2
WHITE	46.81	11	1-1877285-1
WHITE	42.85	10	1-1877285-0
WHITE	38.89	9	1877285-9
WHITE	34.93	8	1877285-8
WHITE	30.97	7	1877285-7
WHITE	27.01	6	1877285-6
WHITE	23.05	5	1877285-5
WHITE	19.09	4	1877285-4
WHITE	15.13	3	1877285-3
WHITE	11.17	2	1877285-2
COLOR	DIM A	CKT	ASSEMBLY PART NO.



SECTION N-N



THIS DRAWING IS A CONTROLLED DOCUMENT.

DWN: W.G. LENKER 03OCT2005
 CHK: R. WALKER 03OCT2005
 APVD: S. RIDGILL 10SEP2008

PRODUCT SPEC: 108-5609
 APPLICATION SPEC: -

MATERIAL: 1
 FINISH: 2

Customer Drawing

STE TE Connectivity

NAME: SHROUDED HEADER ASSEMBLY, 2 THRU 12 POSITION, SINGLE LATCH, 3.96mm PITCH, ECONOMY POWER (EP)

SIZE: A2
 CAGE CODE: 00779
 DRAWING NO: C-1877285

RESTRICTED TO: -

SCALE: 6:1 SHEET 1 OF 1 REV D