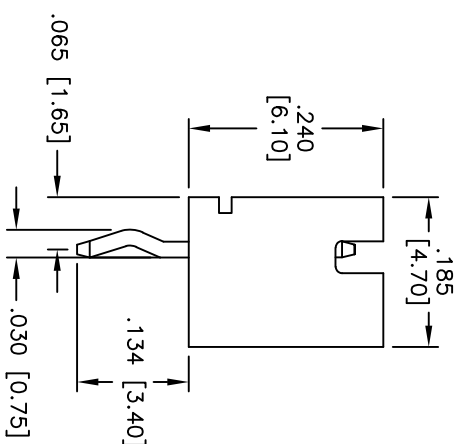
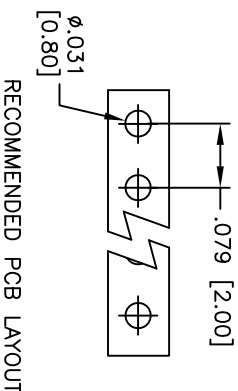
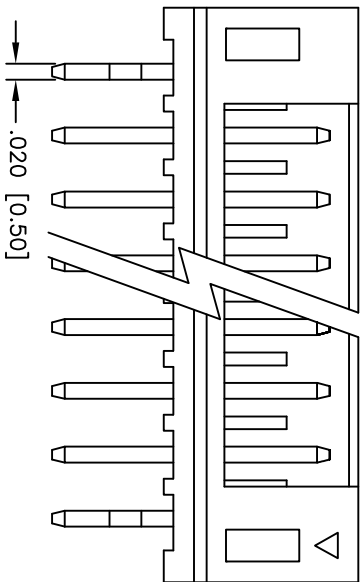
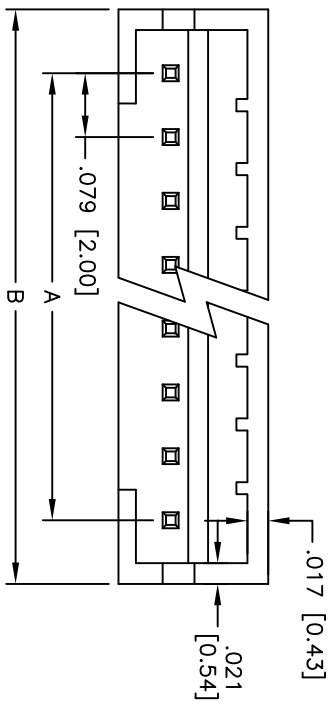


Rev	AWO #	Description	Date	Appr
-		RELEASED	6/14/11	

APPROVED: _____
 DATE: _____ TITLE: _____



Positions: 2 thru 8
 A = .079 [2.00] x No. of Spaces
 B = .079 [2.00] x No. of Spaces + .157 [4.00]

SPECIFICATIONS:
 Material: Insulator: Nylon 9T, rated UL 94V-0
 Insulator color: Natural
 Contacts: Brass

Plating: Tin over Copper underplate overall
 Environmental: Lead free, RoHS compliant
 Recommended soldering temp: 260°C for 5 seconds



UNLESS OTHERWISE SPECIFIED	
ALL DIMENSIONS ARE INCHES [MM]	
TOLERANCES: EXCEPT AS NOTED	
INCHES	HOLDS
X ± .10	ØX ± .10
.XX ± .020	ØXX ± .015
.XXX ± .015	ØXXX ± .010
APPROVALS	DATE
DRAWN	DY
CHECKED	
APPROVED	

ADAM TECH
 909 Railway Avenue, Union, NJ 07083
 Phone: 908-687-5000 Fax: 908-687-5710

TITLE: **.079 [2.00] SHRROUDED HEADER STRAIGHT, PCB**

DATE	6/14/11	SIZE	PART NO.	REV.
CHECKED		X	2SH-C1-XX-TS-HT	
APPROVED		REF:	S000QT	SHEET 1 OF 1
		SCALE:	NTS	

6 5 4 3 2 1