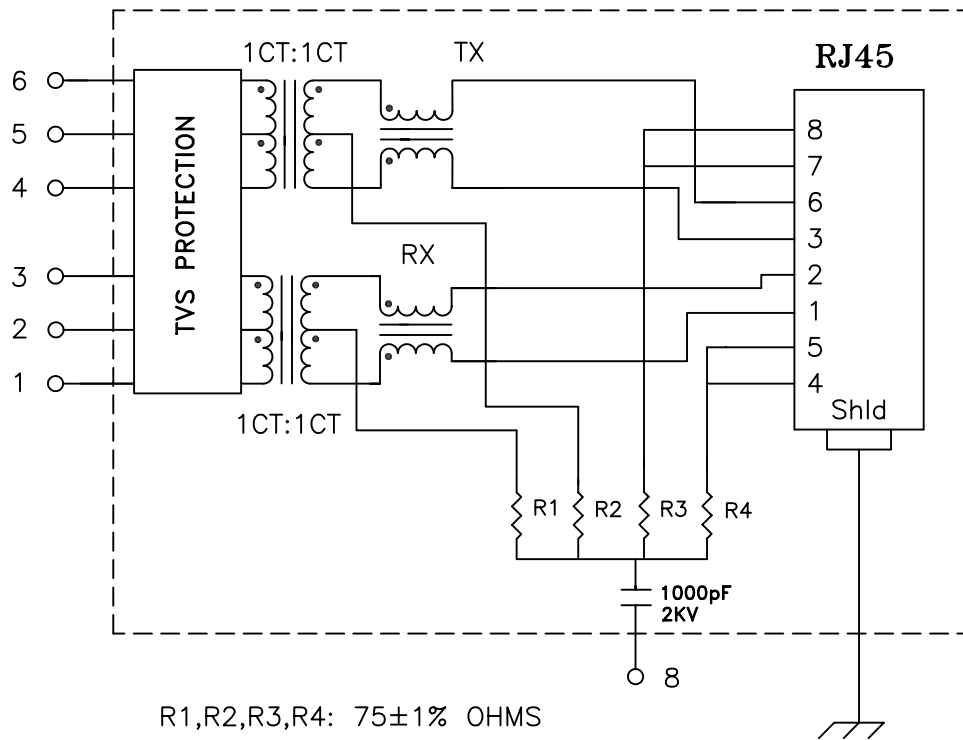


Schematic:



R1,R2,R3,R4: 75±1% OHMS

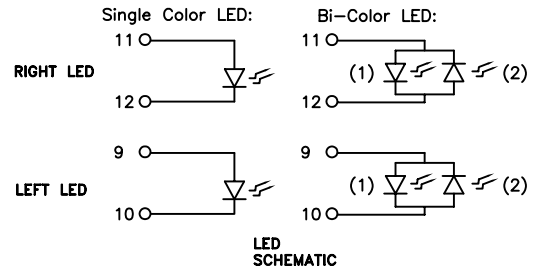
Electrical Specifications: @25°C

- Isolation Voltage: 1500 Vrms (Input to Output)
- Q: 16 Min @100KHz 100mV
- Turns Ratio: TX 1CT:1CT ±3% RX 1CT:1CT ±3%
- CABLE SIDE OCL: 350uH Minimum @100KHz 100mV 8mADC
- Cw/w: 27pF Typical @100KHz 100mV
- Insertion Loss (300KHz-100MHz): -1.00dB Min
- Return Loss: @30MHz -18dB Minimum
- @80MHz -12dB Minimum

Notes:

1. Solderability: Leads shall meet MIL-STD-202G, Method 208H for solderability.
2. Flammability: UL94V-0
3. ASTM oxygen index: > 28%
4. UL Recognized Component: File Number E165866
5. Operating Temperature Range: All listed parameters are to be within tolerance from -40°C to +85°C
6. Storage Temperature Range: -55°C to +125°C
7. Aqueous wash compatible
8. Electrical and mechanical specifications 100% tested
9. RoHS Compliant Component
10. Designed to meet GR1089 Intra-Building Lightning Standards.

DOC. REV: B/1



Complete the Combo P/N as follows:

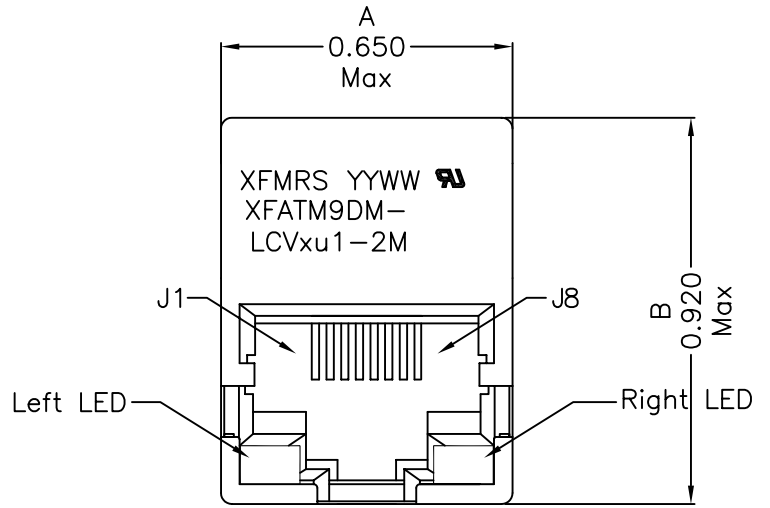
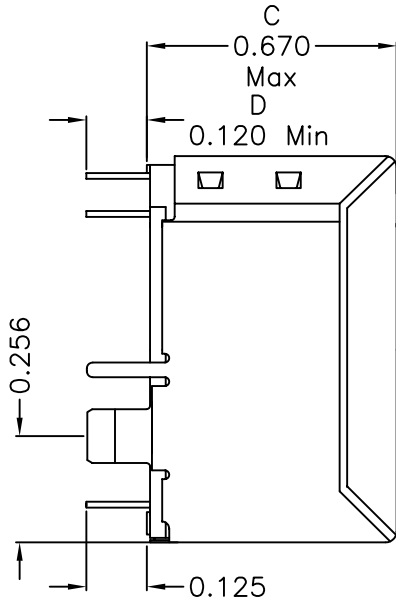
Replace 'x' & 'u' in the part number with one of the LED color letters:

Y=Yellow	'x' = Left LED Color
G=Green	'u' = Right LED Color
A=Amber	
R=Red	
C=Green(1)/Amber(2) Bicolor	
D=Amber(1)/Green(2) Bicolor	
M=Green(1)/Yellow(2) Bicolor	
N=Yellow(1)/Green(2) Bicolor	
P=Red(1)/Green(2) Bicolor	
Q=Green(1)/Red(2) Bicolor	
E=Red(1)/Yellow(2) Bicolor	
F=Yellow(1)/Red(2) Bicolor	
H=Amber(1)/Yellow(2) Bicolor	
J=Green(1)/Green(2) Bicolor	

XFMRs Inc. www.XFMRs.com	Title: SINGLE PORT VERTICAL COMBO		
	UNLESS OTHERWISE SPECIFIED TOLERANCES: .xxx ±0.010 Dimensions in Inch	P/N: XFATM9DM-LCVxu1-2M	REV. B
SHEET 1 OF 2	DWN.	Feng	Mar-01-12
	CHK.	YK Liao	Mar-01-12
	APP.	BW	Mar-01-12

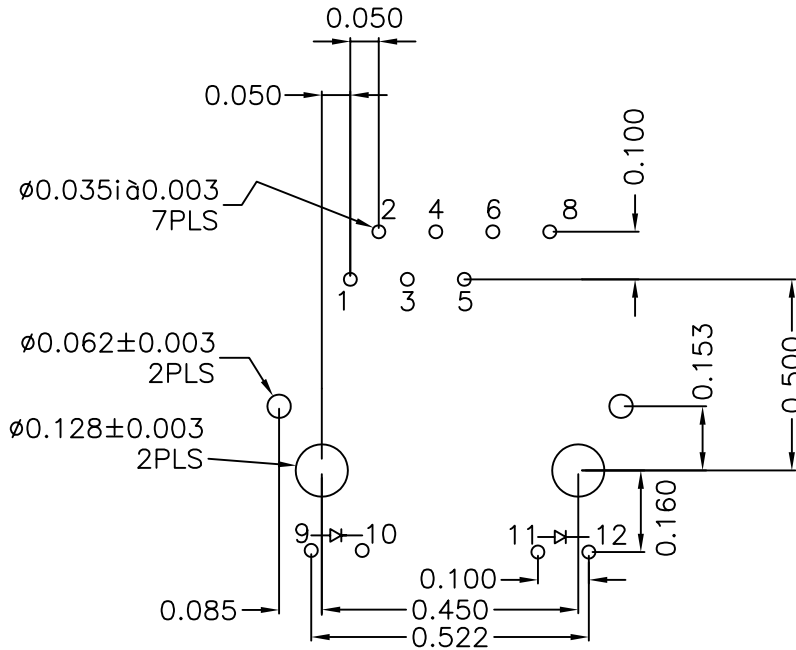
PROPRIETARY:
 Document is the property of XFMRs Group & is not allowed to be duplicated without authorization.

Mechanical Dimensions:



Mounting Pattern:

*Remove Pin#7



P.C.B. RECOMMENDED HOLE LAYOUT

DOC REV: B/1

XFMRS Inc. www.XFMRS.com	Title: Mechanical Dimensions For LCVxu1-2M Series		
	UNLESS OTHERWISE SPECIFIED TOLERANCES: .xxx ±0.010 Dimensions in Inch	P/N:XFATM9DM-LCVxu1-2M	REV. B
	APP.	BW	Mar-01-12
SHEET 2 OF 2			

PROPRIETARY:

Document is the property of XFMRS Group & is not allowed to be duplicated without authorization.