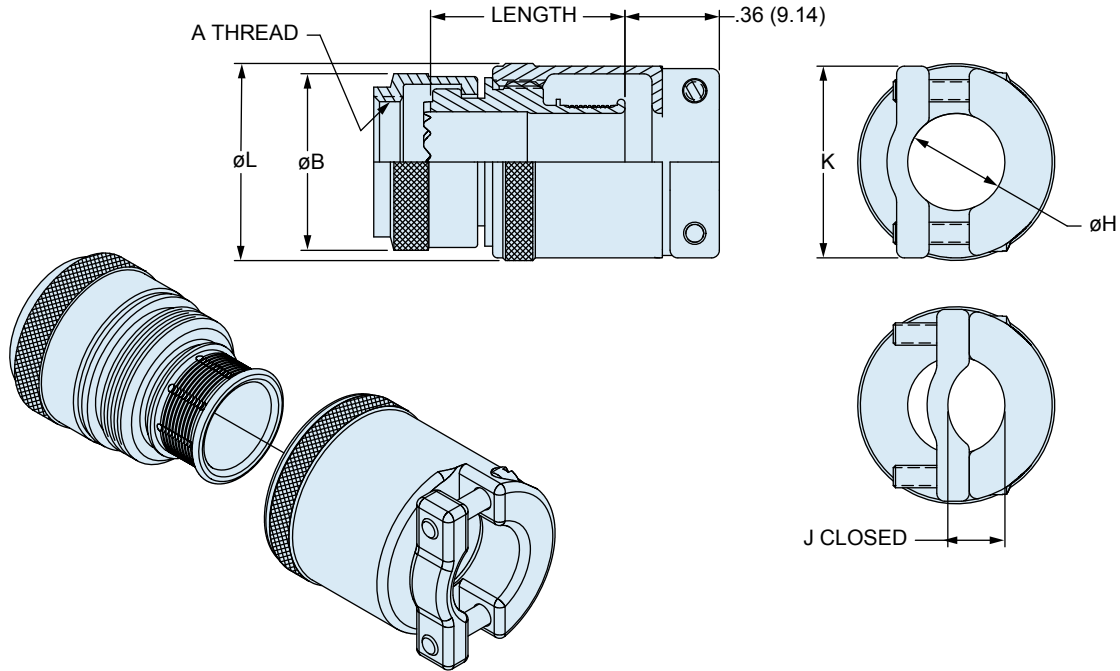




Series 80 Mighty Mouse EMI/RFI Backshell Band-In-A-Can Backshell 447MS981 Ordering Information



X

Table I: Size Code

| Size Code | 800 | 801 | 803 | 804 | 805 | A Thread UNEF - 2B | Ø B Max | | Max Entry |
|-----------|-----|-------|-------|-------|-------|-----------------------|---------|-------|-----------|
| | | | | | | | In. | mm. | |
| 05 | 5 | 5 | 5 | 5 | - | .2500-32 | 0.470 | 11.94 | 25 |
| 06 | 6 | 6 | 6 | 6 | - | .3125-32 | 0.530 | 13.46 | 35 |
| 11 | - | - | - | - | 8 | .3750-32 | 0.570 | 14.48 | 04 |
| 07 | 7 | 7 | 7 | 7 | 9 | .4375-28 | 0.637 | 16.18 | 05 |
| 08 | 8 | 8 | 8 | 8 | 10 | .5000-28 | 0.700 | 17.78 | 06 |
| 09 | 9 | 9 | 9 | 9 | 11 | .5625-24 | 0.758 | 19.25 | 07 |
| 10 | 10 | 10 | 10 | 10 | 12 | .6250-24 | 0.819 | 20.80 | 08 |
| 12 | 12 | 13 | 12 | 12 | - | .6875-24 | 0.896 | 22.76 | 09 |
| 13 | - | - | - | - | 15 | .7500-20 | 0.930 | 23.62 | 10 |
| 14 | - | 16,17 | 14,15 | 14,15 | 18,19 | .9375-20 | 1.137 | 28.88 | 13 |
| 16 | - | 19 | - | - | 21 | 1.0625-18 | 1.250 | 31.75 | 14 |
| 17 | - | 21 | - | - | 23 | 1.1875-18 | 1.387 | 35.48 | 16 |

Table II: Cable Entry Code

| Entry Code | Ø H | | J Closed | | K | | Ø L Max | |
|------------|-------|-------|----------|------|-------|-------|---------|-------|
| | in. | mm. | in. | mm. | in. | mm. | in. | mm. |
| 02 | 0.125 | 3.18 | 0.075 | 1.91 | 0.490 | 12.45 | 0.520 | 13.21 |
| 25 | 0.156 | 3.96 | 0.094 | 2.39 | 0.520 | 13.21 | 0.550 | 13.97 |
| 03 | 0.188 | 4.78 | 0.113 | 2.87 | 0.550 | 13.97 | 0.580 | 14.73 |
| 35 | 0.219 | 5.56 | 0.131 | 3.33 | 0.580 | 14.73 | 0.610 | 15.49 |
| 04 | 0.250 | 6.35 | 0.150 | 3.81 | 0.615 | 15.62 | 0.645 | 16.38 |
| 05 | 0.313 | 7.95 | 0.188 | 4.78 | 0.680 | 17.27 | 0.710 | 18.03 |
| 06 | 0.375 | 9.53 | 0.225 | 5.72 | 0.740 | 18.80 | 0.770 | 19.56 |
| 07 | 0.438 | 11.13 | 0.263 | 6.68 | 0.800 | 20.32 | 0.830 | 21.08 |
| 08 | 0.500 | 12.70 | 0.300 | 7.62 | 0.865 | 21.97 | 0.895 | 22.73 |
| 09 | 0.563 | 14.30 | TBD* | TBD* | TBD* | TBD* | TBD* | TBD* |
| 10 | 0.625 | 15.88 | TBD* | TBD* | TBD* | TBD* | TBD* | TBD* |
| 11 | 0.688 | 17.48 | TBD* | TBD* | TBD* | TBD* | TBD* | TBD* |
| 12 | 0.750 | 19.05 | TBD* | TBD* | TBD* | TBD* | TBD* | TBD* |
| 13 | 0.813 | 20.65 | TBD* | TBD* | TBD* | TBD* | TBD* | TBD* |
| 14 | 0.875 | 22.23 | TBD* | TBD* | TBD* | TBD* | TBD* | TBD* |
| 15 | 0.938 | 23.83 | TBD* | TBD* | TBD* | TBD* | TBD* | TBD* |
| 16 | 1.000 | 25.40 | TBD* | TBD* | TBD* | TBD* | TBD* | TBD* |

* Consult Factory

Dimensions in Inches (millimeters) are subject to change without notice.