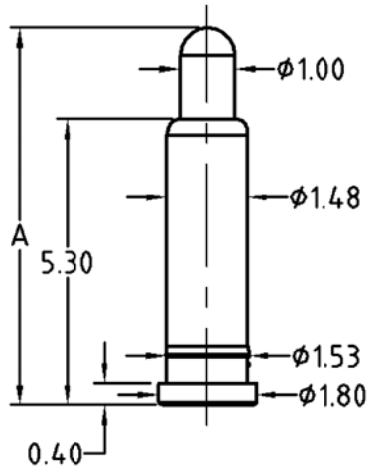


APPROVED: _____
 DATE: _____ TITLE: _____

Rev	AWO #	Description	Date	Appr
-		RELEASED	3/30/16	
A		UPDATED SPEC.	6/20/16	HR/CK



ADAM P/N	Initial Height
PH-MV5F-5365	6.5mm
PH-MV5F-5370	7.0mm
PH-MV5F-5375	7.5mm
PH-MV5F-5380	8.0mm

Working Stroke	Spring Force
1.0mm	70g

Rated Current	Rated Voltage
5A Max	12V

SPECIFICATIONS:

Material:
 Plunger: Brass, Gold plated
 Barrel: Brass, Gold plated
 Spring: SUS Surface treatment
Electrical:
 Contact resistance: 20 mohms max
Mechanical:
 Full Stroke: 1.40mm
 Durability: 1,000,000 Cycles
 Temperature Rating:
 Operating temperature: -55°C to +125°C
Environmental:
 Lead free, RoHS compliant.



UNLESS OTHERWISE SPECIFIED ALL DIMENSIONS ARE MILLIMETERS TOLERANCES: EXCEPT AS NOTED MM HOLES .X ± .25 .XX ± .15 .XXX ± .05		ADAM TECH 909 Rahway Avenue, Union, NJ 07083 Phone: 908-687-5000 Fax: 908-687-5710	
APPROVALS		DATE	
DRAWN	HR	3/30/16	
CHECKED	CK	3/30/16	
APPROVED			
TITLE			
SMT SPRING LOADED PIN, STRAIGHT, HIGH CURRENT			
SIZE	PART NO.	REV.	
X	PH-MV5F-53XX	A	
REF:	S00170C	SCALE:	NTS
		SHEET 1 OF 1	