

6

5

4

3

2

1

APPROVED: _____

DATE: _____ TITLE: _____

Rev	AWO #	Description	Date	Appr
-		RELEASED	3/30/16	
A		UPDATED SPEC.	6/20/16	HR/CK

D

D

C

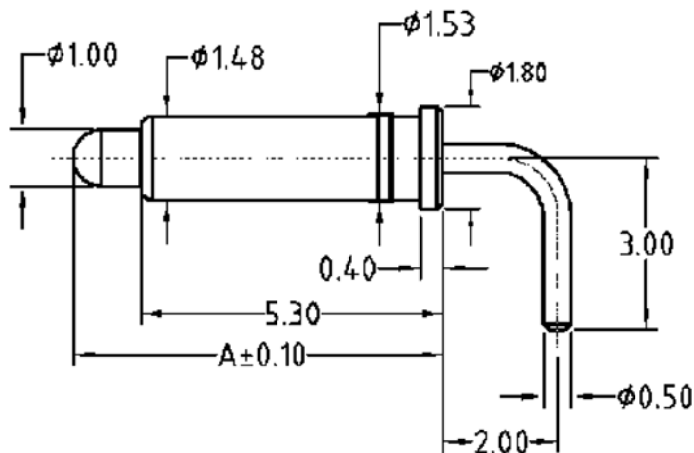
C

B

B

A

A



ADAM P/N	Initial Height
PH-MH5P-5365	6.5mm
PH-MH5P-5370	7.0mm
PH-MH5P-5375	7.5mm
PH-MH5P-5380	8.0mm

Working Stroke	Spring Force
1.0mm	70g

Rated Current	Rated Voltage
5A Max	12V

SPECIFICATIONS:

Material:

Plunger: Brass, Gold plated

Barrel: Brass, Gold plated

Spring: SUS Surface treatment

Electrical:

Contact resistance: 20 mohms max

Mechanical:

Full Stroke: 1.40mm

Durability: 1,000,000 Cycles

Temperature Rating:

Operating temperature: -55°C to +125°C

Environmental:

Lead free, RoHS compliant.



UNLESS OTHERWISE SPECIFIED
ALL DIMENSIONS ARE MILLIMETERS
TOLERANCES: EXCEPT AS NOTED
HOLES

MM HOLES

.X ± .25
.XX ± .15 Ø.XX ± .013
.XXX ± .05

ADAM TECH

909 Rahway Avenue, Union, NJ 07083
Phone: 908-687-5000 Fax: 908-687-5710

APPROVALS		DATE
DRAWN	HR	3/30/16
CHECKED	CK	3/30/16
APPROVED		

TITLE		
DIP SPRING LOADED PIN, RIGHT ANGLE, HIGH CURRENT		
SIZE	PART NO.	REV.
X	PH-MH5P-53XX	A
REF: S00170C	SCALE: NTS	SHEET 1 OF 1

6

5

4

3

2

1