

LD5011A/B Series - 0.50 inch Single Digit 7 Segment LED Display



ATTENTION
OBSERVE PRECAUTIONS
FOR HANDLING
ELECTROSTATIC
DISCHARGE
SENSITIVE
DEVICES



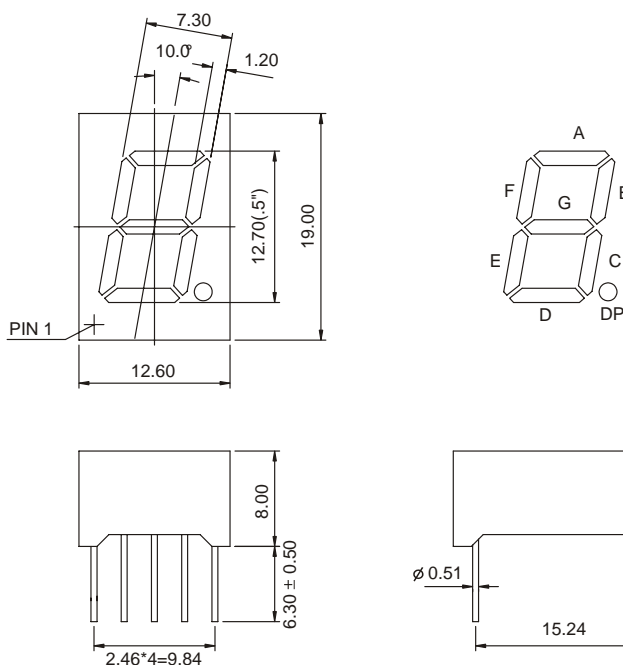
Features

- 12.70 mm (0.50 inch) digit high
- Excellent digit appearance
- Wide viewing angle
- Range of emitted colors
- I.C. compatible
- Low power consumption
- White segment
- RoHS compliant

Available options

- Alternative emitting luminosity:
Standard or high brightness version
- Alternative emitted color
- Alternative segment color
- Alternative font
- Common Cathode is available
- Cropped terminal pins

Package Dimensions

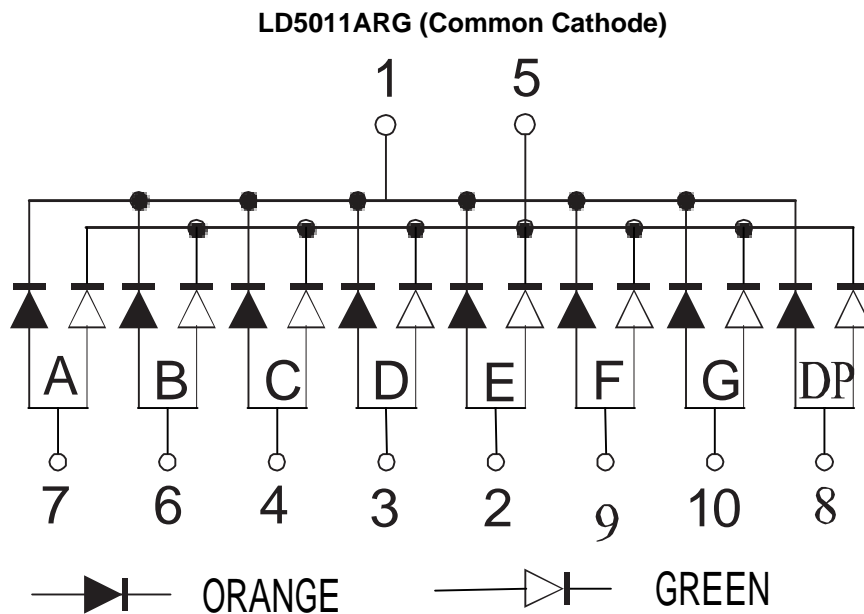


Notes:

1. All dimensions are in millimeters(inches), Tolerance is $\pm 0.25\text{mm}(0.01\text{inch})$ unless other wise noted.
2. Specifications are subject to change without notice.
3. The gap between the reflector and PCB shall not exceed 0.25mm.

LightKey Datasheet of 0.50 inch Single Digit Dual Color 7 Segment LED Display

Internal Circuit Diagram



Selection Guide (Ta = 25 °C.)

Single Digit 7 Segment dual-color LED Display, Digit Height: 12.70mm(0.50inch), External Dimensions: 12.70x19.00x8.00mm (L x W x H)

Description	Part No.		Chip			Iv(mcd)@20mA	
	Cathode Row	Anode Row	Material	Color	W LD (nm)	One Dot	
						Min.	Typ.
Standard Brightness	LD5011ARG	LD5011BRG	GaAlAs	Super Red	640	8	10
			GaP	Green	568	7	9
Ultra-High Brightness	LD5011AURUG	LD5011BURUG	AlGaInP	Ultra Red	640	30	45
			AlGaInP	Ultra Green	573	30	45

Electrical Characteristics & Absolute Maximum Ratings

LD5011A/BRG	Electrical optical Characteristics ^[1]			Absolute Maximum Ratings ^[1]			
Color	Forward Voltage(V) @ IF=20mA		Reverse Current VR=5V (uA)	Power Dissipation (mW)	DC Forward Current (mA)	Peak Forward Current ^[2] (mA)	Reverse Voltage (V)
	Typ.	Max.					
Super Red	1.8	2.2	30	60	25	100	5
Green	2.2	2.5	30	80	30	100	5
Ultra Red	1.9	2.6	30	60	30	100	
Ultra Green	2.1	2.6	300	75	30	100	5
Operating/ Storage Temp.: -40 to +80 deg.; Lead Solder Temp.: 260 deg. for 3-5 Sec. 2mm below package base							

Notes:

1. At Ta = 25 °C.
2. Peak forward current at 1/10 Duty Cycle, 0.1ms Pulse.