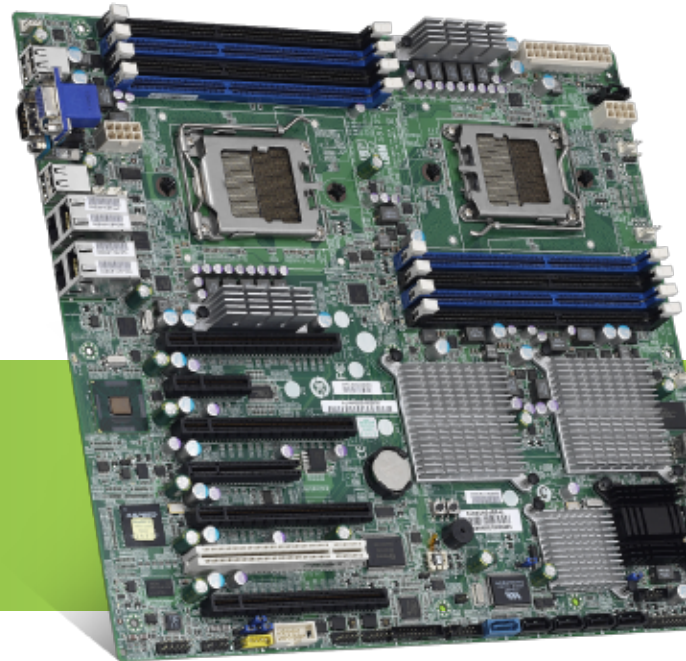
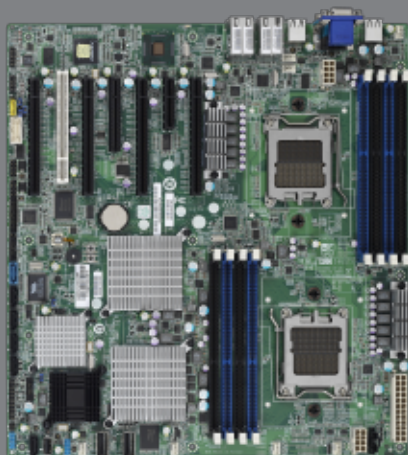


## DUAL-SOCKET SERVER PLATFORM



# S8225

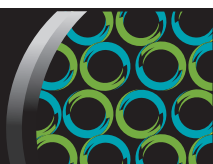
S8225AGM4NRF / S8225WAGM4NRF



■ AMD Opteron™ 4100/4200 series

### High-End Dual-socket workstation platform for HPC

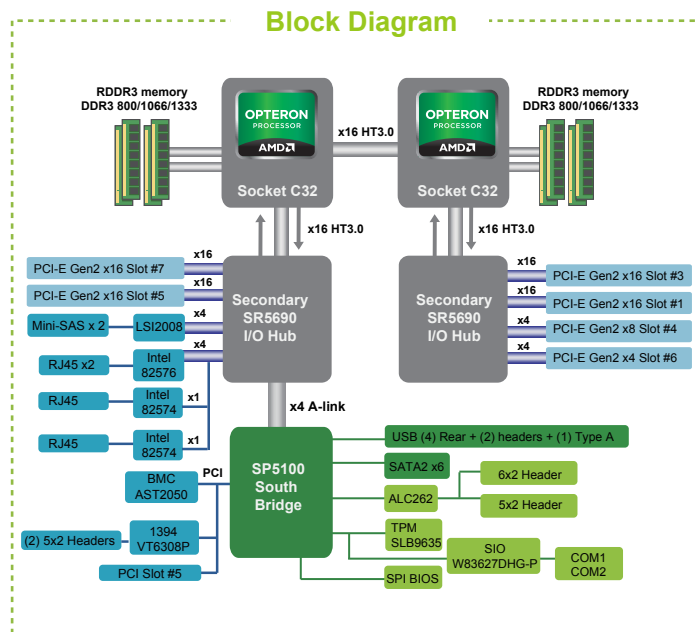
- Dual C32 socket supports (2) AMD Opteron™ 4100/4200 series processors (Lisbon/Valencia)
- AMD (2)SR5690 North Bridge + SP5100 South
- (4)+(4) 240-pin DDR3 DIMM slots support up to 128GB R-DDR3 and 32GB U-DDR3 1333/1066/800MHz w/ ECC memory
- (4) PCI-E Gen.2 x16 slot (w/ x16 link)
- (1) PCI-E Gen.2 x8 slots (w/ x4 link)
- (1) PCI-E Gen.2 x4 slots (w/ x4 link)
- (1) PCI slot
- (6) SATA-II connectors w/ RAID 0, 1, 10, 5 support
- (2) Mini-SAS connectors for 8 SAS/SATA device w/ RAID 0,1,10
- (4) GbE LAN , from Intel® 82576 and Intel 82574 LAN
- TPM 1.2 (Trusted Platform Module) optional
- Onboard BMC w/ IPMI and iKVM support



# S8225

S8225AGM4NRF / S8225WAGM4NRF

Processor	Supported CPU Series	AMD Opteron™ 4100/4200 series processors	
	Socket Type / Q'ty	C32 1207-pin / (2)	
	Average CPU Power (ACP) wattage	75W	
	System Bus	Up to 6.4 GT/s Hyper-Transport link support	
Chipset	Chipset	(2) AMD SR5690 + SP5100	
	Super I/O	Winbond W83627	
Memory	DIMM slot Qty	(4)+(4) DIMM slots	
	DIMM Type / Speed	U/RDDR3 & LV RDDR3, 800/1066/1333MHz	
	Capacity	supports up to 128GB RDIMM at 800MHz or 32GB UDIMM at 1066MHz	
	Memory channel	2 Channels per CPU	
	Memory voltage	1.35V/ 1.5V	
Expansion Slots	PCI-E	(4) PCI-E Gen.2 x16 slots (w/ x16 link, Slot#5,7 from 1st SR5690; Slot#1,3 from 2nd SR5690)	
		(1) PCI-E Gen.2 x8 slot (w/ x4link from 2nd SR5690, Slot#4)	
	PCI	(1) PCI-E Gen.2 x4 slot (w/x4 link from 2nd SR5690, Slot#6) (1) PCI 32-bit slots (Slot#2)	
Recommended Barebones / Chassis	2U Chassis	FT48	
LAN	Port Q'ty	4	
	Controller	(2) Intel 82574L / (1) Intel 82576EB	
Storage	SAS	Connector	(2) Mini-SAS connectors (support 4 HDD's/cable)
		Controller	LSI SAS2008 (for S8225WAGM4NRF only)
		Speed	6.0 Gb/s
	RAID	RAID 0/1/1E/10 (LSI Integrated RAID)	
	SATA	Connector	(6) SATA
		Controller	AMD SP5100
Speed		3.0 Gb/s	
RAID	RAID 0/1/10/5 (Promise Integrated RAID)		
Graphic	Connector type	D-Sub 15-pin	
	Resolution	1600x1200@60Hz	
	Chipset	Aspeed AST2050	
Audio	Onboard Chipset	Realtek ALC262	
	Feature	2.1 channel	
Firewire	Port Q'ty	(2) IEEE 1394 headers	
	Chipset	VIA VT6308P PCI Firewire controller	
Input /Output	USB	(9) USB2.0 ports (4 at rear, 4 via cable, 1 Vertical [Type A] onboard)	
	COM	(2) ports (1 at rear, 1 via cable)	
	SAS	(2) Mini-SAS (4-in-1) connectors	
	VGA	(1) D-Sub 15-pin VGA port	
	RJ-45	(4) GbE ports	
	Power	ATX12V / Universal 24-pin + 8-pin + 8-pin power connectors	
	Front Panel	(1) 2x12-pin SSI front panel header	
	SATA	(6) SATA-II connectors	
	Audio	(1) 2 x 5pin header for front panel audio connector (1) 2 x 6pin header for rear panel audio connector	
	Firewire	(2) IEEE 1394 headers	



System Monitoring	Chipset	Winbond W83793G
	Voltage	Monitors voltage for CPU, memory, chipset & power supply
	Fan	(7) 4-pin headers + (1) 20-pin header
	Temperature	Monitors temperature for CPU & system environment
	LED	Fan fail LED indicator / Over temperature warning indicator / Fan & PSU fail LED indicator
	Others	Watchdog timer support
Server Management	Onboard Chipset	Onboard Aspeed AST2050
	AST2050 IPMI Feature	IPMI 2.0 compliant baseboard management controller (BMC) / USB 2.0 virtual hub
	AST2050 iKVM Feature	24-bit high quality video compression / Dual 10/100 Mb/s MAC interfaces
BIOS	Brand / ROM size	AMI / 4MB
	Feature	Plug and Play (PnP) / PCI2.3 / WfM2.0 / SMBIOS2.3 / PXE boot / ACPI 2.0 power management / Power on mode after power recovery / User-configurable H/W monitoring
Physical Dimension	Form Factor	E-ATX
	Board Dimension	12"x13" (305x330mm)
Operating System	OS supported list	Please visit our web site for the latest update.
	FCC (DoC)	Class B
Regulation	CE (DoC)	Yes
	Operating Temp.	10° C ~ 35° C (50° F ~ 95° F)
Operating Environment	Non-operating Temp.	- 40° C ~ 70° C (-40° F ~ 158° F)
	In/Non-operating Humidity	90%, non-condensing at 35° C
RoHS	RoHS 6/6 Compliant	Yes
Package Contains	Motherboard	(1) S8225 Motherboard
	Manual	(1) User's manual / (1) Quick Ref. Guide
	Installation CD	(1) TYAN installation CD
	I/O Shield	(1) I/O Shield
	Cable	SATA (6) SATA signal cables SAS (2) mini-SAS cables (for S8225WAGM4NRF only)

(Specifications are subject to change without notice. Items pictured may only be representative.)

MITAC INTERNATIONAL CORP.  
TYAN Business Unit

USA  
Tel: +1-510-651-8868  
Fax: +1-510-651-7688

Taiwan  
Tel: +886-2-2652-5888  
Fax: +886-2-2652-5805

Japan  
Tel: +81-3-3769-8311  
Fax: +81-3-3769-8328

Europe  
Sales: +32 2456 1721  
Technical Support: +32 2456 1722

China  
Shanghai Tel: +86-21-61431188 Ext 1366  
China Tel: +86-010-62555015 Ext 8302