

Feature:

- Water clear lens
- Package in tape and reel
- Bright 0805 LED package
- InGaN technology for IB/IG/IW
- AllnGaP technology for R/AG/Y/O

Description:

These ultra bright 0805 LEDs have a height profile of 0.80mm. Combination of high brightness output and small footprint, these LEDs are ideal for keypad backlighting and status indication.

Application:

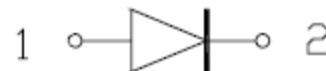
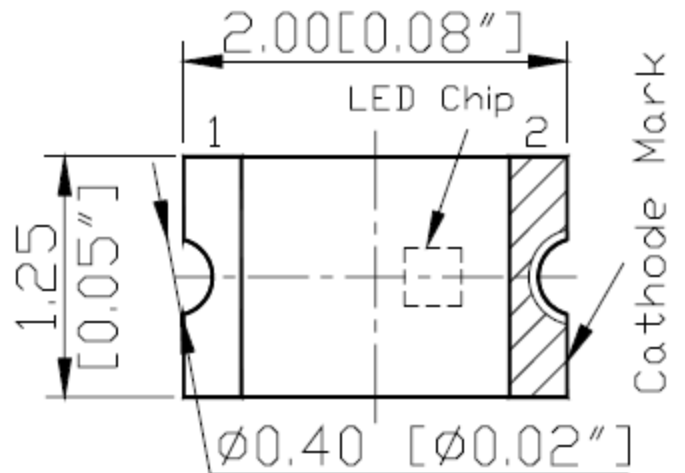
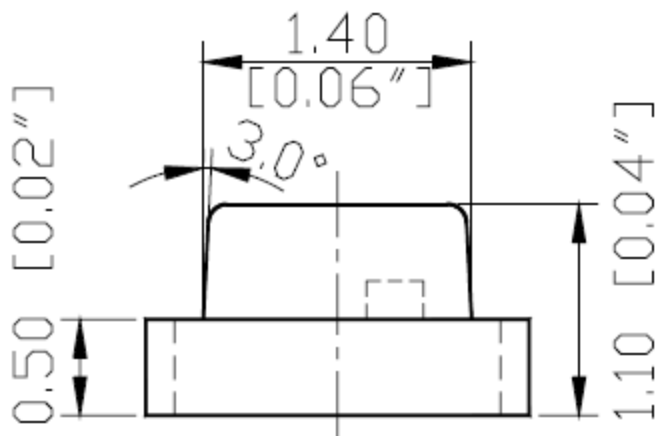
- Status indication
- Back lighting application

Certification & Compliance:

- TS16949
- ISO9001
- RoHS Compliant



Dimension:



Units: mm / tolerance = +/-0.1mm

Electrical / Optical Characteristic (T=25 °C)

Product	Color	I _F (mA)	V _F (V)		λ _D (nm)			I _V (mcd)	
			Typ.	Max	Min.	Max.	-	Min.	Typ.
QBLP630-IW	White	20	3.3	3.8	X = 0.28 Y = 0.31	-	-	160	250
QBLP630-IB	Blue	20	3.3	3.8	460	480	-	25	45
QBLP630-IG	Green	20	3.3	3.8	515	535	-	250	400
QBLP630-R	Red	20	2.0	2.4	620	630	-	63	80
QBLP630-AG	Yellow Green	20	2.0	2.4	564	576	-	50	80
QBLP630-Y	Yellow	20	2.0	2.4	585	595	-	80	125
QBLP630-O	Orange	20	2.0	2.4	600	612	-	150	200

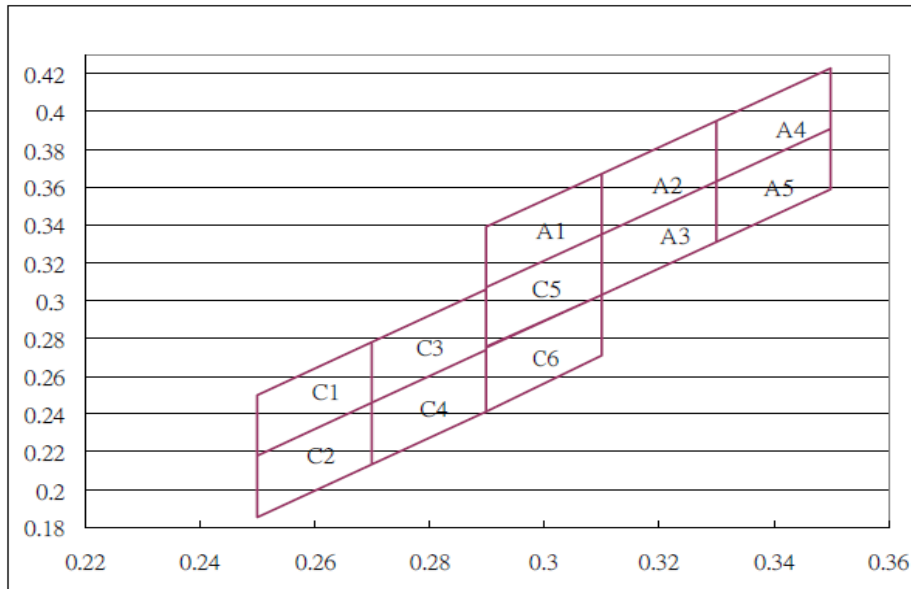
Absolute Maximum Rating

Part #	P _d (mW)	I _F (mA)	I _{FP} (mA)*	V _R (V)	T _{OP} (°C)	T _{ST} (°C)	T _{SOL} (°C)**
IB/IG	115	30	100	5	-40 ~ +85	-40 ~ +90	260
R/AG/Y/O	75	25	125	5	-40 ~ +85	-40 ~ +90	260

*Duty 1/10 @ 1KHz

** IR Reflow for no more than 10 sec @ 260 °C

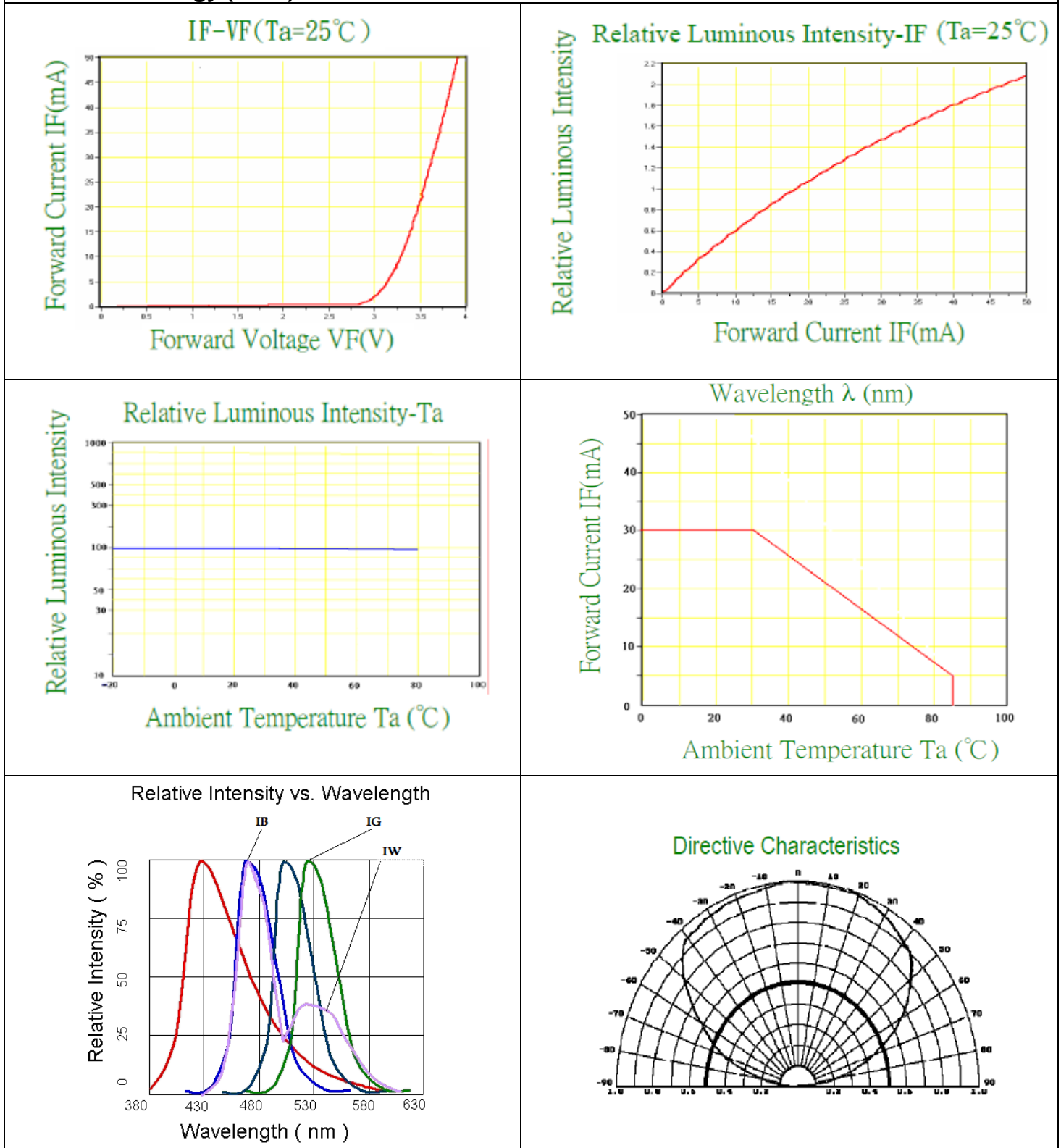
CIE Chromaticity Table:



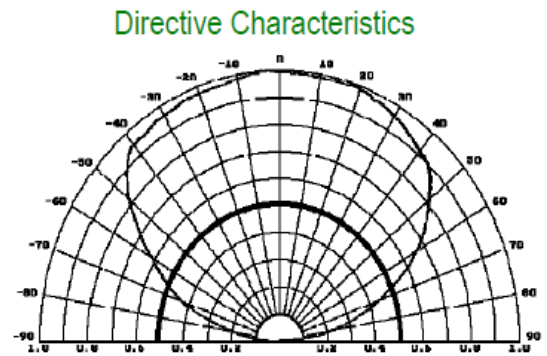
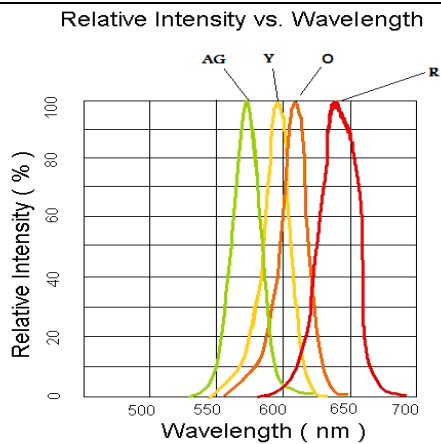
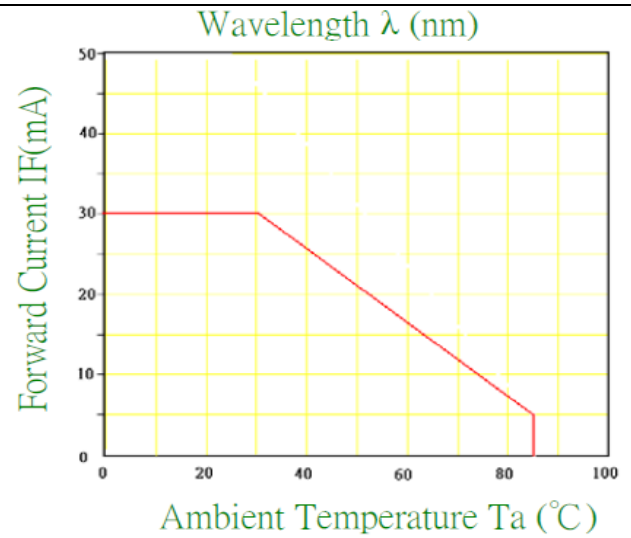
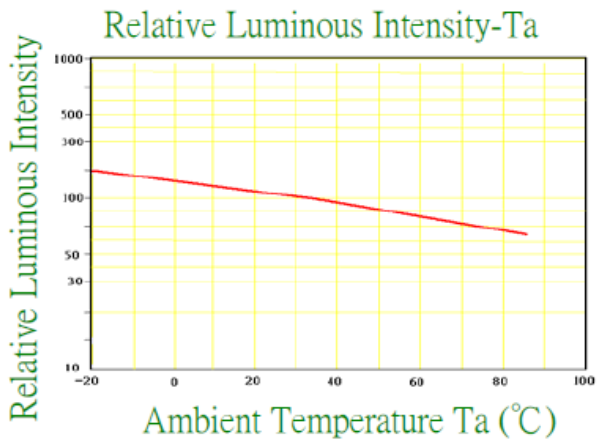
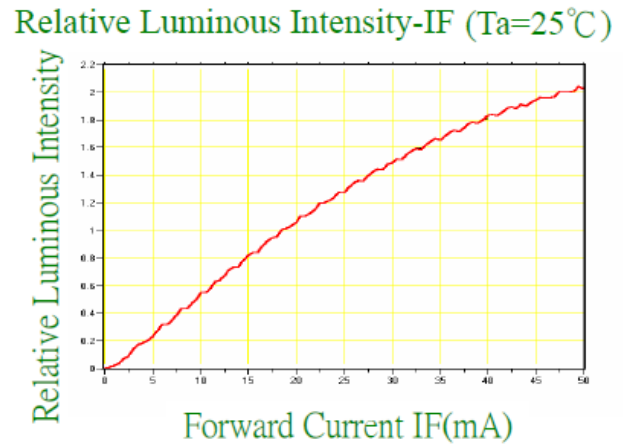
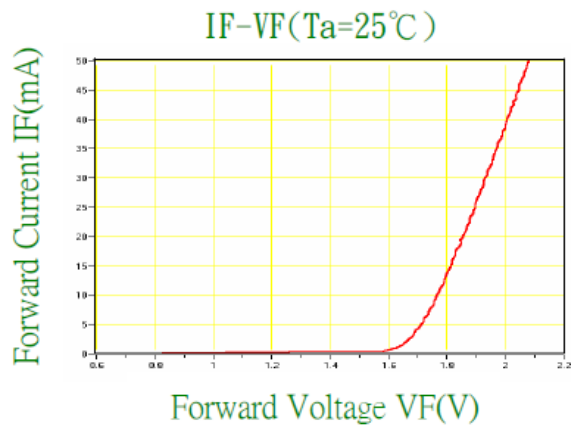
A1	X	0.29	0.29	0.31	0.31	0.29
	Y	0.339	0.307	0.335	0.367	0.339
A2	X	0.31	0.31	0.33	0.33	0.31
	Y	0.367	0.335	0.363	0.395	0.367
A3	X	0.31	0.31	0.33	0.33	0.31
	Y	0.335	0.303	0.331	0.363	0.335
C5	X	0.29	0.29	0.31	0.31	0.29
	Y	0.307	0.275	0.303	0.335	0.307
A4	X	0.33	0.33	0.35	0.35	0.33
	Y	0.395	0.363	0.391	0.423	0.395
A5	X	0.33	0.33	0.35	0.35	0.33
	Y	0.363	0.331	0.359	0.391	0.363
C1	X	0.27	0.25	0.25	0.27	0.27
	Y	0.278	0.25	0.218	0.246	0.278
C2	X	0.27	0.25	0.25	0.27	0.27
	Y	0.246	0.218	0.185	0.213	0.246
C3	X	0.29	0.27	0.27	0.29	0.29
	Y	0.306	0.278	0.246	0.274	0.306
C4	X	0.29	0.27	0.27	0.29	0.29
	Y	0.274	0.246	0.213	0.241	0.274
C6	X	0.31	0.29	0.29	0.31	0.31
	Y	0.303	0.2756	0.241	0.271	0.303

Characteristic Curves:

InGaN Technology (IB/IG)

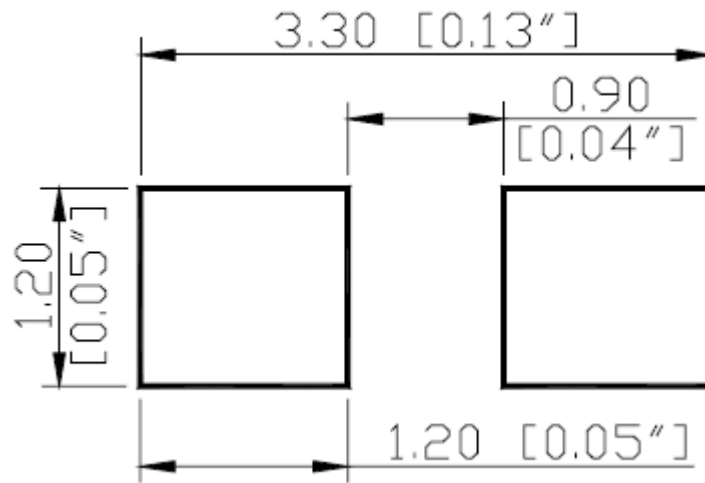
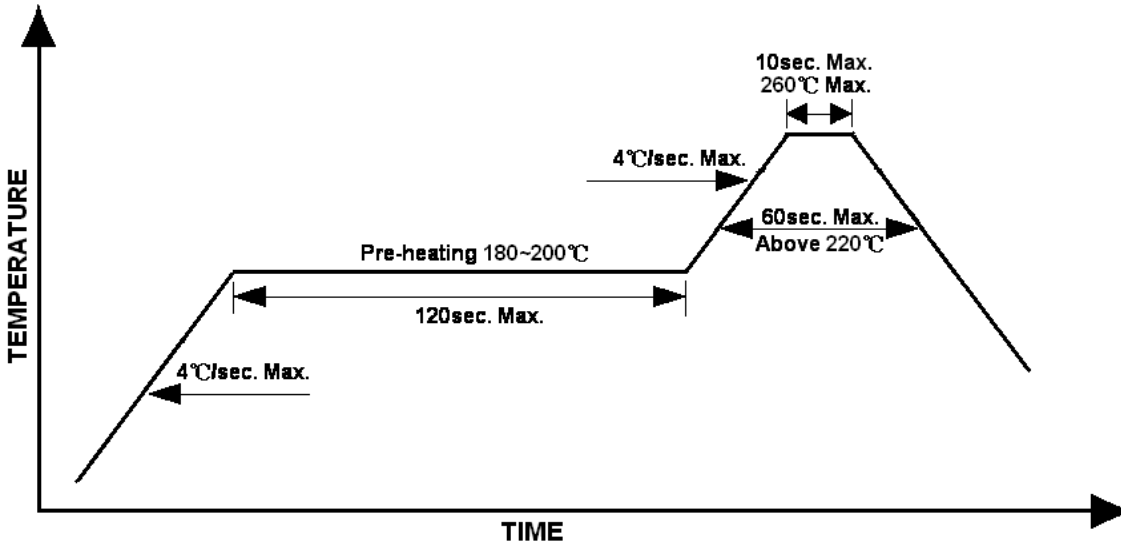


AllInGaP Technology (R/AG/Y)



Solder Profile & Footprint:

- Recommended tin glue specifications: melting temperature in the range of 178~192 °C
- The recommended reflow soldering profile is as follows (temperatures indicated are as measured on the surface of the LED resin):



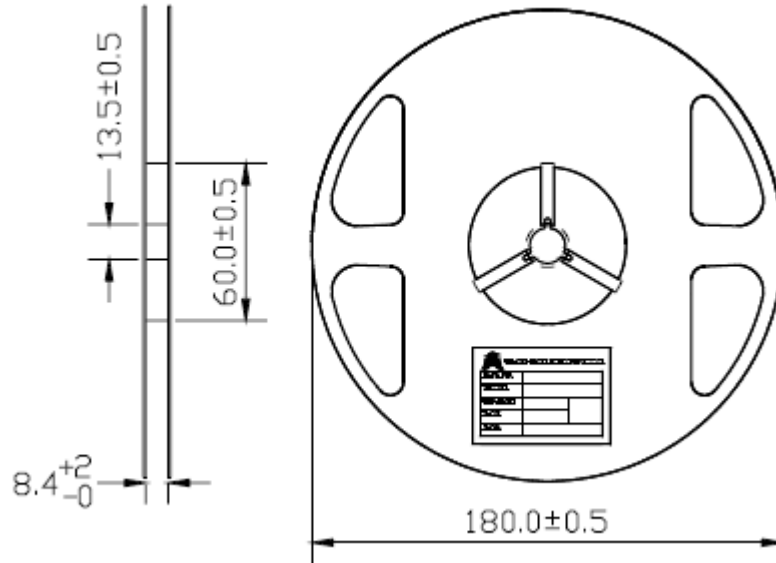
(Proposed Solder footprint)

Units: mm

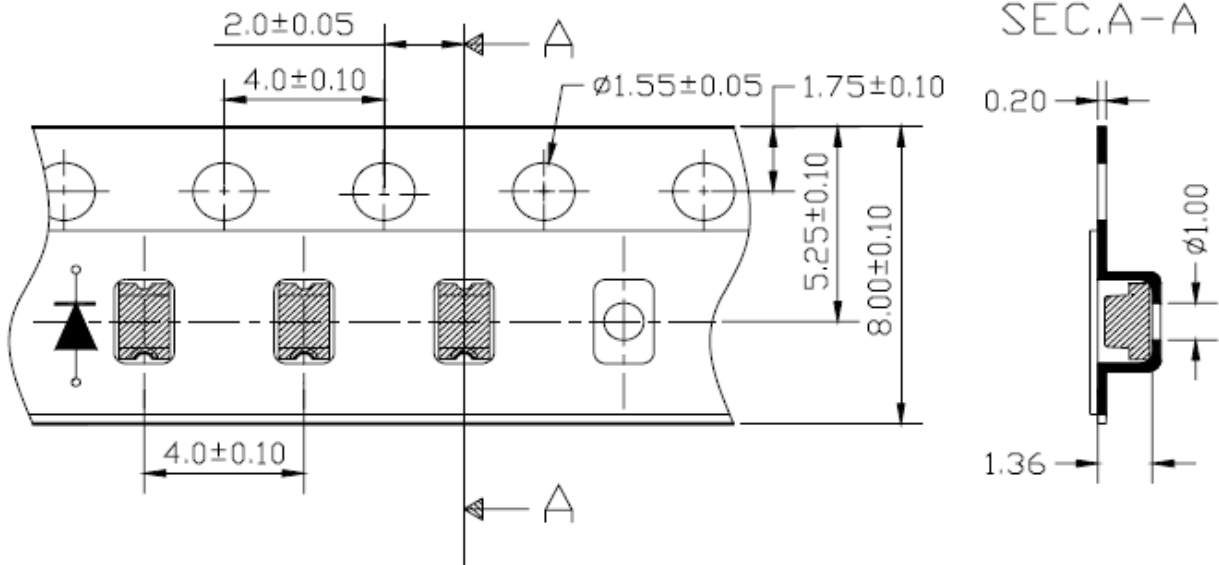
tolerance: +/- 0.1mm

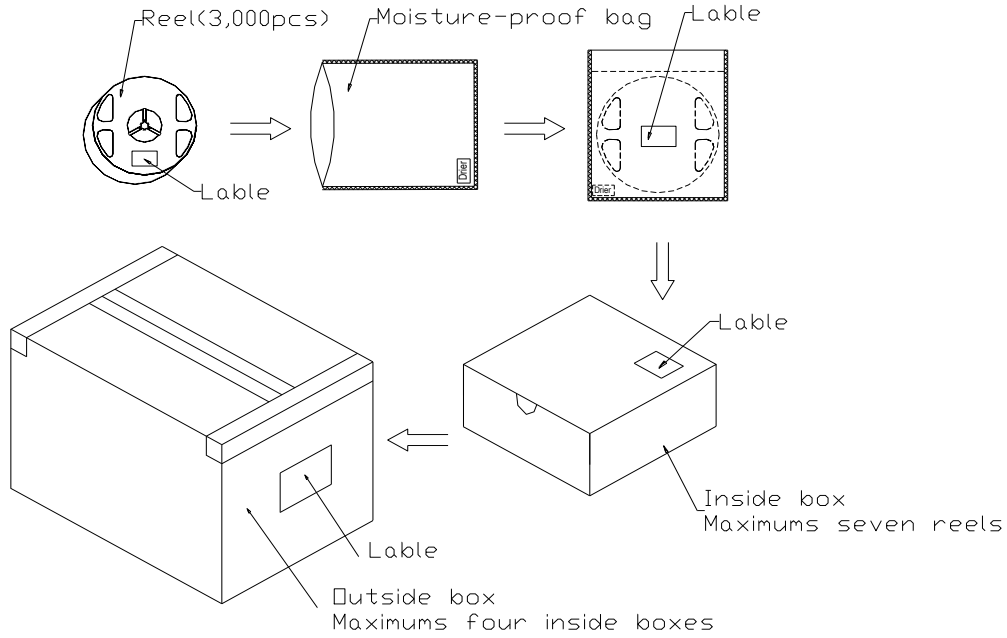
Packing:

Reel Dimension:



Tape Dimension:





Labeling:



Part No: _____

Customer P/N: _____

Item: _____

Q'ty: _____

Vf: _____

Iv: _____

WI: _____

Date: _____

Made in China

Product: QBLP630_series	Date: June 15, 2011	Page 8 of 10
	Version# 2.1	

Ordering Information:

Part #	Orderable Part #	Spec Range	Quantity per reel
QBLP630-IW	QBLP630-IW	lv = 250mcd typ. / X = 0.28, Y = 0.31	3,000 units
QBLP630-IB	QBLP630-IB	lv = 45 mcd typ. / Color = 470 nm	3,000 units
QBLP630-IG	QBLP630-IG	lv = 400 mcd typ. / Color = 525 nm	3,000 units
QBLP630-R	QBLP630-R	lv = 80 mcd typ. / Color = 625 nm	3,000 units
QBLP630-AG	QBLP630-AG	lv = 80 mcd typ. / Color = 570 nm	3,000 units
QBLP630-Y	QBLP630-Y	lv = 125 mcd typ. / Color = 590 nm	3,000 units
QBLP630-O	QBLP630-O	lv = 200 mcd typ. / Color = 606 nm	3,000 units

Revision History

Description:	Revision #	Revision Date
New Release of QBLP630_series	V1.0	09/20/2010
Update Brightness range and CIE chromaticity table	V2.0	04/25/2011
Update Brightness	V2.1	06/15/2011