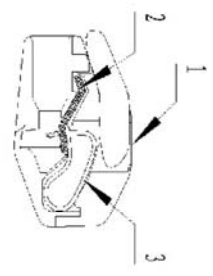
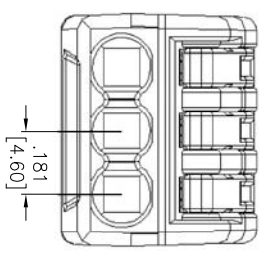
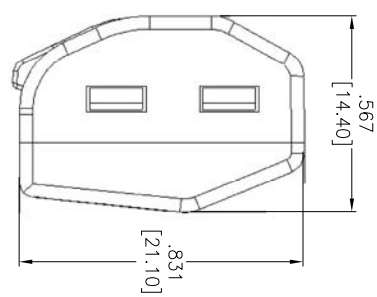
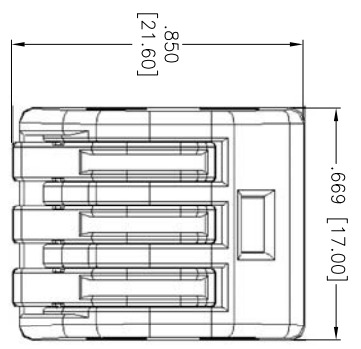


Rev	AWO #	Description	Date	Appr
-		RELEASED	8/3/15	

APPROVED: _____
 DATE: _____ TITLE: _____



SPECIFICATION:

Material:
 Insulator: PA66, Rated UL-94V-0
 Insulator color: Black
 Contact: Phosphor Bronze, T=0.8mm, Tin plated
 Spring: SUS 301, T=0.4mm
Electrical:
 Operating voltage: 600V
 Current rating: 24A
 Contact resistance: 20 mohms max
 Insulation resistance: 500 Mohms min, DC 500V
 Dielectric withstanding voltage: 2000VAC/500VDC
 Wire range: 0.75-2.5mm²
 Maximum tensile strength: 8kg~10kg
Temperature Rating:
 Operating temperature: -40°C to +105°C
Environmental:
 Lead free, RoHS compliant.



UNLESS OTHERWISE SPECIFIED
 ALL DIMENSIONS ARE INCHES [MM]
 TOLERANCES: EXCEPT AS NOTED
 INCHES
 .X ± .10 ØX ± .10
 .XX ± .020 ØXX ± .015
 .XXX ± .015 ØXXX ± .010

APPROVALS	DATE
DRAWN AY	8/3/15
CHECKED TW	8/3/15
APPROVED	

ADAM TECH
 909 Rahway Avenue, Union, NJ 07083
 Phone: 908-687-5000 Fax: 908-687-5710

TITLE: **SPRING CLAMP BLOCK, 3 POLES**

SIZE	PART NO.	REV.
X	ADT-AN9090-03	-

REF: S0009C SCALE: NTS SHEET 1 OF 1