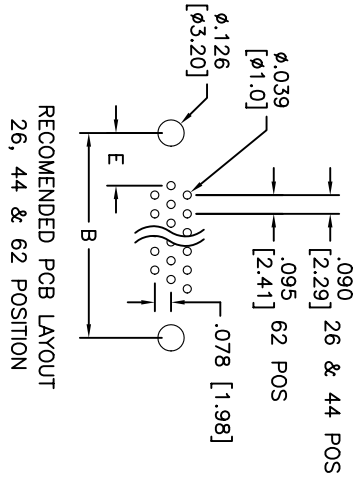
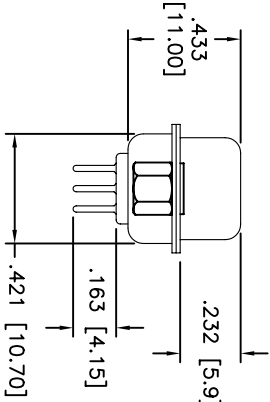
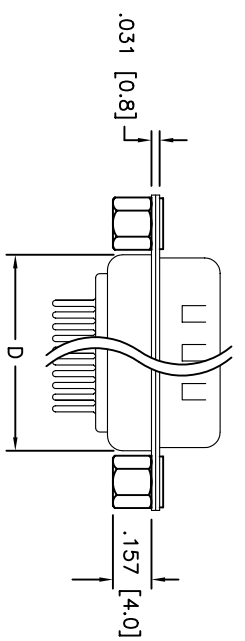
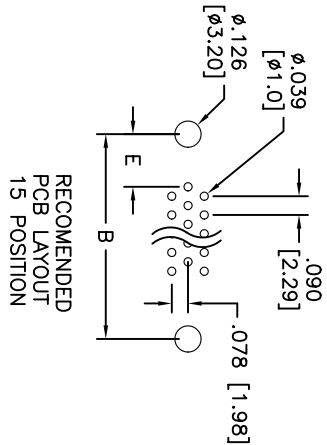
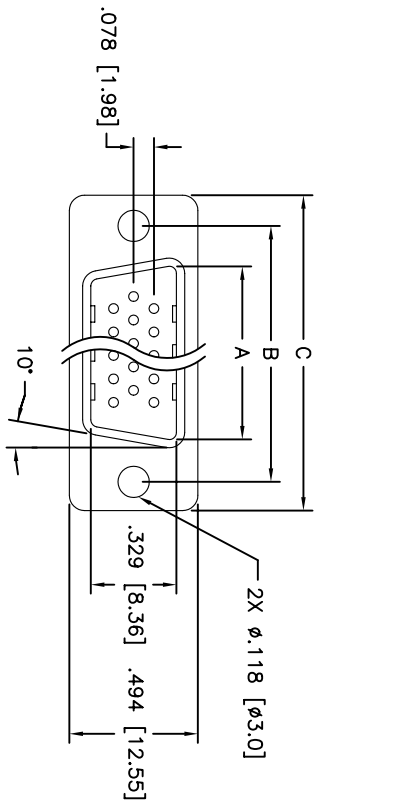


Rev	AWO #	Description	Date	Appr
-		RELEASED	03/22/05	

APPROVED: \_\_\_\_\_  
 DATE: \_\_\_\_\_ TITLE: \_\_\_\_\_



Unit: Inch / mm

POSITIONS	Socket Dimensions				
	A	B	C	D	E
15	.666 (16.92)	.984 (24.99)	1.213 (30.81)	.759 (19.28)	.277 (7.04)
26	.994 (25.25)	1.312 (33.32)	1.541 (39.14)	1.083 (27.51)	.271 (6.88)
44	1.534 (38.96)	1.852 (47.04)	2.008 (51.04)	1.626 (41.30)	.271 (6.88)
62	2.182 (55.42)	2.500 (63.50)	2.729 (69.32)	2.272 (57.71)	.275 (7.00)

**ADAM TECH**

909 Railway Avenue, Union, NJ 07083  
 Phone: 908-687-5000 Fax: 908-687-5710

D-SUB, HIGH DENSITY, STRAIGHT  
 MALE PCB, GOLD FLASH

**SPECIFICATIONS:**  
 Material: Insulator: PBT, glass reinforced, rated UL 94V-0  
 Insulator color: Black  
 Contacts: Phosphor Bronze  
 Plating: Gold Flash over Nickel underplate overall  
 Electrical:  
 Operating voltage: 250 VAC max  
 Current rating: 5 Amps max  
 Contact resistance: 20 Mohms max  
 Insulation resistance: 5000 Mohms min  
 Dielectric withstanding voltage: 1000 VAC for 1 minute  
 Temperature Rating: Operating temperature: -65°C to +125°C  
 Environmental:  
 Lead free, RoHS compliant.  
 Recommended soldering temp: 230° for 5 sec.



UNLESS OTHERWISE SPECIFIED  
 ALL DIMENSIONS ARE INCHES [MM]  
 TOLERANCES: EXCEPT AS NOTED

INCHES	HOLES
.X ± .10	ØX ± .10
.XX ± .020	ØXX ± .015
.XXX ± .015	ØXXX ± .010

DRAWN	SS	DATE	03/22/05
CHECKED			
APPROVED			

TITLE	D-SUB, HIGH DENSITY, STRAIGHT		
SIZE	X	PART NO.	HDTXX-PT-SL
SCALE	1/8" = 1"	SHEET	1 OF 1