

6

5

4

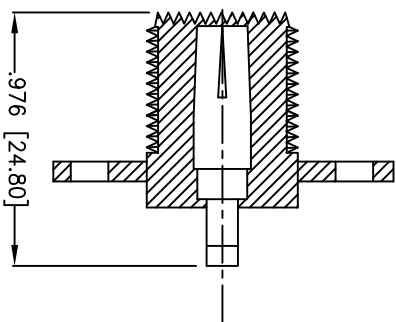
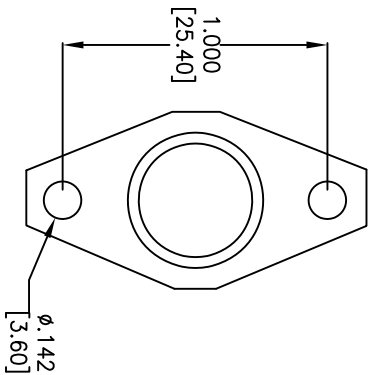
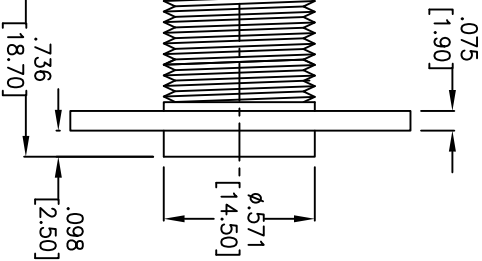
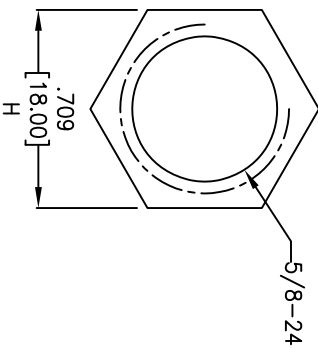
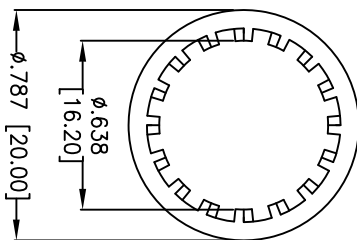
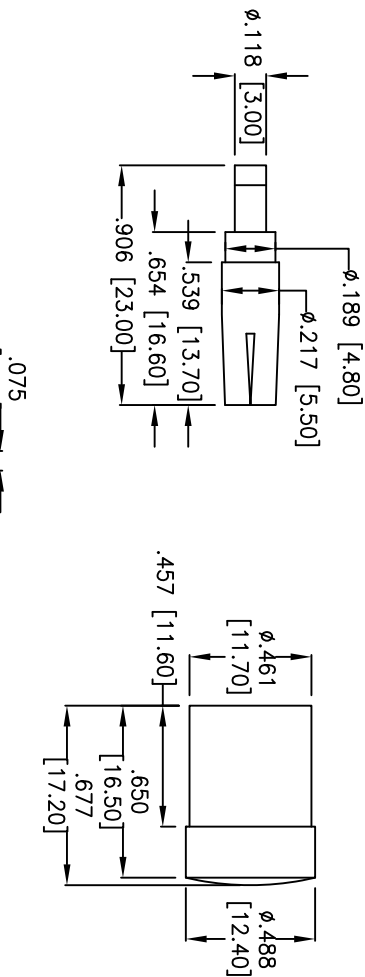
3

2

1

APPROVED: \_\_\_\_\_

DATE: \_\_\_\_\_ TITLE: \_\_\_\_\_



\*Zinc Body, Derlin, Nickel Pin

|             |           |     |
|-------------|-----------|-----|
| BODY        | DICASTING | 1   |
| INSULATOR   | DELRI     | 1   |
| AXLE CENTER | BRASS     | 1   |
| DESCRIPTION | MATERIAL  | QTY |

**SPECIFICATIONS:**

**Electrical:**

Impedance: 50 ohms

Frequency range: 0-200 MHz

Working Voltage: 500 VRMS max.

Dielectric Withstanding Voltage: 1500 VRMS min.

Contact Resistance: 3 Milliohms max. (Center Contact)

2 Milliohms max. (Outer Contact)

Insulator Resistance: 5000 Megohms min.

Environmental:

Lead free, RoHS compliant.

| Rev | AWO # | Description             | Date     | Appr |
|-----|-------|-------------------------|----------|------|
| -   | 9887  | RELEASED                | 3/18/09  |      |
| A   | 9887  | REVISED FREQUENCY RANGE | 11/02/09 |      |
| B   | 9887  | REVISED DIM.            | 12/28/09 |      |
| C   | 9887  | REVISED SHAPE           | 1/13/10  |      |

**ADAM TECH**

909 Railway Avenue, Union, NJ 07083  
Phone: 908-687-5000 Fax: 908-687-5710

UHF CONNECTOR

UNLESS OTHERWISE SPECIFIED  
ALL DIMENSIONS ARE INCHES [MM]  
TOLERANCES: EXCEPT AS NOTED  
INCHES  
.X ± .10 Ø.X ± .10  
.XX ± .020 Ø.XX ± .015  
.XXX ± .015 Ø.XXX ± .010

APPROVALS

DATE

DRAWN DY 3/18/09

CHECKED

APPROVED

TITLE

UHF CONNECTOR

SIZE PART NO.

RF6-18-D-00-50-HDW

REV.

C

REF: S0049T

SCALE: NTS

SHEET 1 OF 1

6

5

4

3

2

1