

euro-block

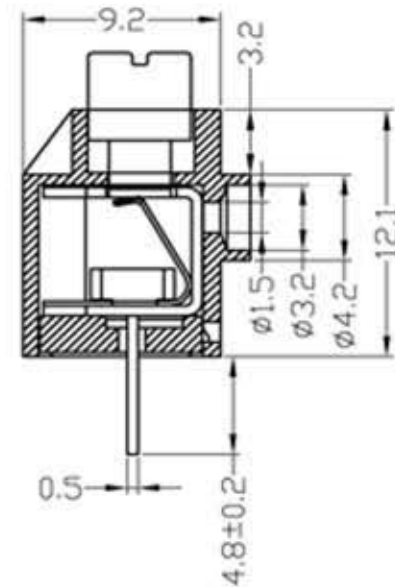
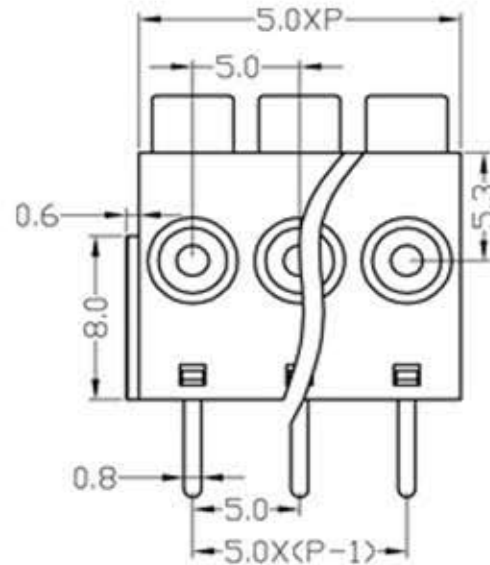
product specification

SPECIFICATIONS

Voltage : 300V 8A
 Poles : 2P & 3P
 Pitch: 5,0mm

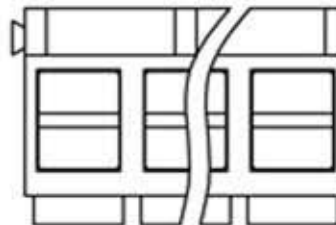
MATERIALS

Housing : PBT (UL 94V-0)
 Clamp: Stainless steel
 Solder Pin: Brass, Tin Plated
 Color: Orange (RAL2004)



Schema generale del codice di ordinazione / General description of ordering code

serie	n°poli	passo	versione	colore	custom
MRM8	02-24	5	P	O	



TOLERANCES EXCEPT AS NOTED

variable range	linear dimension				fillet	chamfer	short angle sid			≡	-	□	//	⊥			
	to 6	over 6 to 30	over 30 to 120	over 120 to 480			to 6	to 10	to 50						to 120	to 5	to 30
tolerance	±0.1	±0.2	±0.3	±0.5	±0.9	±0.2	±0.5	±1	1'	30'	20'	10'	0.5	0.025	0.06	0.12	0.4

UNITS	mm	SIZE	A4	SCALE	FIRST ANGLE PROJECTION	
euro-block						
					NAME	MRM8