

PLEASE CHECK WWW.MOLEX.COM FOR LATEST PART INFORMATION

Part Number: [0760115633](#)
Status: **Active**
Overview: GbX I-Trac™ Backplane Connector System
Description: GbX I-Trac™ Right Angle Header Module, 1.85mm by 3.70mm Pitch, Right Guided Coplanar, Left Open, 7 Rows, 6 Columns, 84 Circuits, Mating Pin Length 4.70mm, Lead-Free

Documents:

[3D Model](#) [Packaging Specification PK-70873-588 \(PDF\)](#)
[Drawing \(PDF\)](#) [RoHS Certificate of Compliance \(PDF\)](#)
[Product Specification PS-75710-999 \(PDF\)](#)

Agency Certification

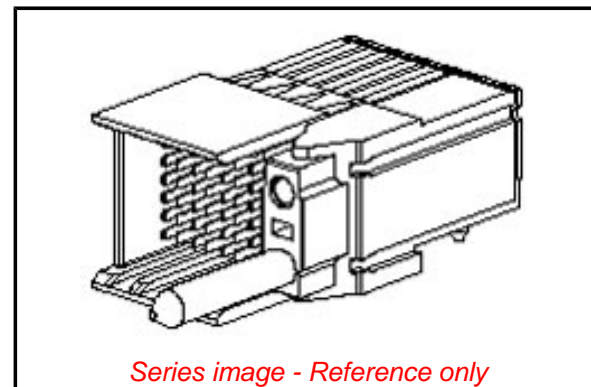
UL E29179

General

Product Family Backplane Connectors
 Series [76011](#)
 Application Coplanar, Daughtercard
 Component Type Right Angle Male
 Overview [GbX I-Trac™ Backplane Connector System](#)
 Product Name GbX I-Trac™
 UPC 883906036348

Physical

Circuits (Loaded) 84
 Circuits (maximum) 84
 Color - Resin Black
 Durability (mating cycles max) 200
 First Mate / Last Break No
 Flammability 94V-0
 Guide to Mating Part Yes
 Keying to Mating Part None
 Material - Metal High Performance Alloy (HPA)
 Material - Plating Mating Gold
 Material - Plating Termination Tin
 Material - Resin High Temperature Thermoplastic
 Net Weight 23.194/g
 Number of Columns 6
 Number of Pairs 4, Open Pin Field
 Number of Rows 7
 Orientation Right Angle
 PC Tail Length 2.00mm
 PCB Locator No
 PCB Retention None
 PCB Thickness - Recommended 1.60mm
 Packaging Type Tray
 Pitch - Mating Interface 3.70mm
 Pitch - Termination Interface 1.20mm
 Plating min - Mating 0.762µm
 Plating min - Termination 0.762µm
 Polarized to PCB Yes
 Stackable No
 Surface Mount Compatible (SMC) Yes
 Temperature Range - Operating 85°C
 Termination Interface: Style Through Hole - Compliant Pin



Series image - Reference only

EU ELV

Not Relevant

EU RoHS

Compliant

REACH SVHC

Not Contained Per
 -ED/79/2015 (17
 December 2015)

Halogen-Free

Status

Low-Halogen

Need more information on product environmental compliance?

Email productcompliance@molex.com
 Please visit the [Contact Us](#) section for any non-product compliance questions.

China ROHS

ELV

China RoHS

Green Image

Not Relevant

Search Parts in this Series

[76011](#) Series

Mates With

[76020](#) GbX I-Trac™ Right Angle Receptacle Module

Use With

[78230](#) GbX I-Trac™ Right Angle Power Receptacle

Application Tooling | FAQ

Tooling specifications and manuals are found by selecting the products below. Crimp Height Specifications are then contained in the Application Tooling Specification document.

Global

Description

Product #

Electrical

Current - Maximum per Contact	1.0A
Data Rate	12.0 Gbps
Shielded	No
Voltage - Maximum	120V AC (RMS)/DC

Material Info**Reference - Drawing Numbers**

Packaging Specification	PK-70873-588
Product Specification	PS-75710-999
Sales Drawing	SD-76011-003

Right Angle Male (RAM) Module Removal Tool	<u>0622023080</u>
Press-In Tool for Right Angle Receptacle and Header 7-Row, 6- Column	<u>0622018611</u>

This document was generated on 06/10/2016

PLEASE CHECK WWW.MOLEX.COM FOR LATEST PART INFORMATION