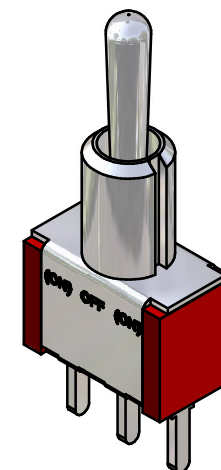
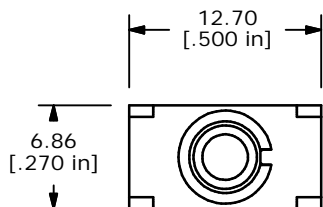


P.C. MOUNTING

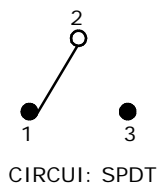


ISOMETRIC

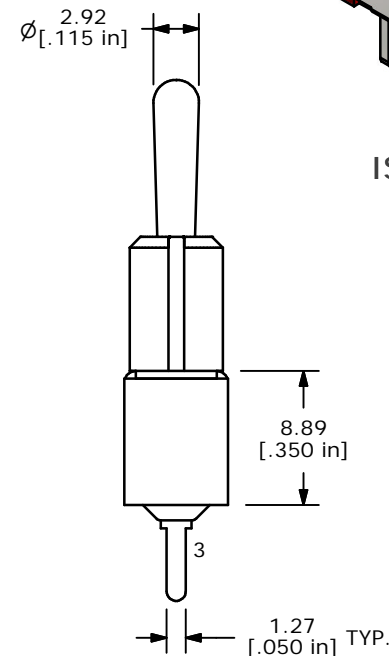
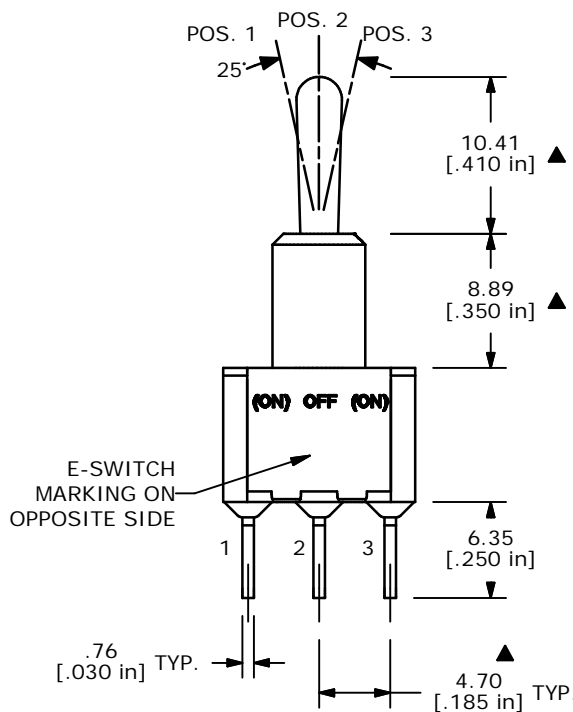
SWITCH FUNCTION		
POS. 1	POS. 2	POS. 3
(ON)	OFF	(ON)
2-3	OPEN	2-1

B

(ON) = MOMENTARY



CIRCUI: SPDT



- NOTE:
- ALL DIMENSIONS IN MM [INCH]
 - GENERAL TOLERANCE: X.X=±0.4
X.XX=±0.25
 - TERMINAL NUMBERS FOR REF ONLY
 - ▲ PLATING MATERIAL: SILVER
 - RATING: 5 AMPS W/RESISTIVE LOAD @ 120VAC OR 28VDC
2 AMPS W/RESISTIVE LOAD @ 250VAC
 - ELECTRIC LIFE: 40,000 make-and-break cycles at full load.
 - INSULATION RESISTANCE: 1,000 Mega-ohm min.
 - DIELECTRIC STRENGTH: 1,000 V RMS @sea level.
 - OPERATING TEMP.: -30°C to 85°C
 - ▲ DENOTES CRITICAL PARAMETER.

E-SWITCH®

B	14278	CORRECT FUNCTION CHART POSITION #	9/1/04	AR
A	14077	RELEASED FOR PRODUCTION	6/8/04	AR
REV	PCR NO	DESCRIPTION	DATE	BY

THE INFORMATION CONTAINED IN THIS DOCUMENT IS PROPRIETARY TO E-SWITCH AND IS NOT TO BE COPIED OR TRANSFERRED

TITLE 100SP4T1B2M2QE				
SCALE 2:1	DATE 6/8/04	DR AR	DWG T114008	REV B