



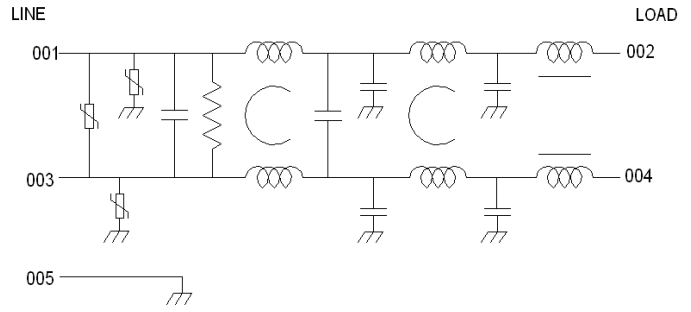
# FF-1319A-13E

This filter has been designed to operate with the Vicor "VI- HAMD / BAMD Harmonic Attenuator Modules" to meet EN55022, class B.

This is a special model with a modified form factor, Raychem 44A0111 wire leads and a wide operating range from -40C to +65C.

This model also has varistors inserted in order to suppress transients between line and neutral and also between the power leads and ground.

Order P/N:      FF-1319A-13E



Operating Voltage = \_\_\_\_\_ DC to 270 Vac  
 Operating Current (Max) = \_\_\_\_\_ 13 Amps  
 Operating Frequency = \_\_\_\_\_ 50/60 HZ  
 Operating Temperature (Storage) = \_\_\_\_\_ -40 to 85 °C  
 Operating Temperature @ 13.0 A = \_\_\_\_\_ -40 to 65 °C

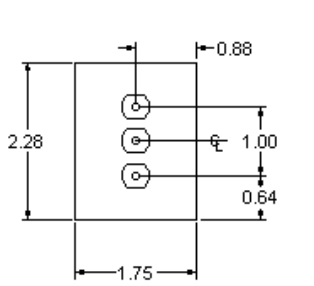
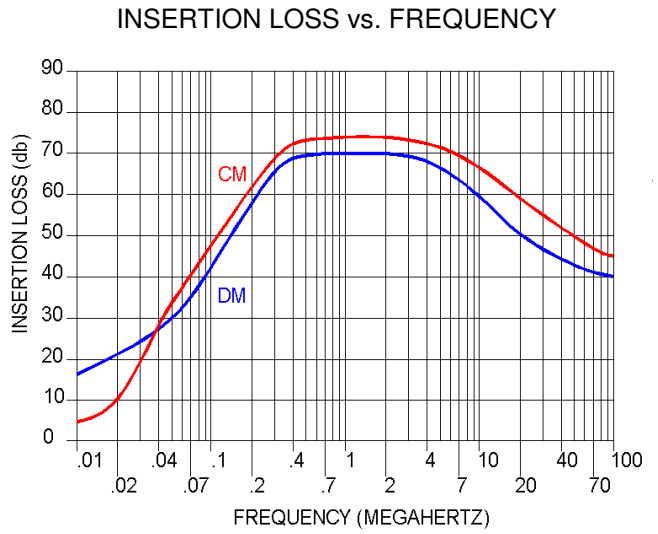
Diel. Withstanding Voltage (Ph - Case) = \_\_\_\_\_ 1500 Vac  
 Diel. Withstanding Voltage (Ph - Ph) = \_\_\_\_\_ 1500 Vdc

Leakage Current @ 270 Vac, 60 HZ = \_\_\_\_\_ 2.7 mA Max  
 Discharge Voltage after 60 sec = \_\_\_\_\_ 34 V Max

Transient Suppression = \_\_\_\_\_ turn on (382—466) Vdc

Total Energy Absorption = 140 Joules / line (10x1000 us)

Calculated MTBF = \_\_\_\_\_ 2,278,890 Hrs @ 30°C GB



Wire #	Ref
001	Line (L1)
002	Load
003	Neut (L2)
004	Load
005	Earth

