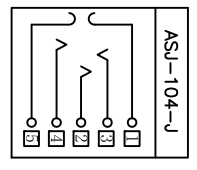
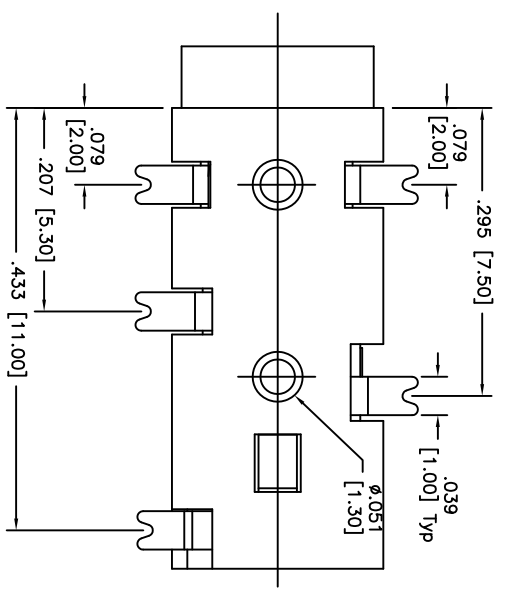
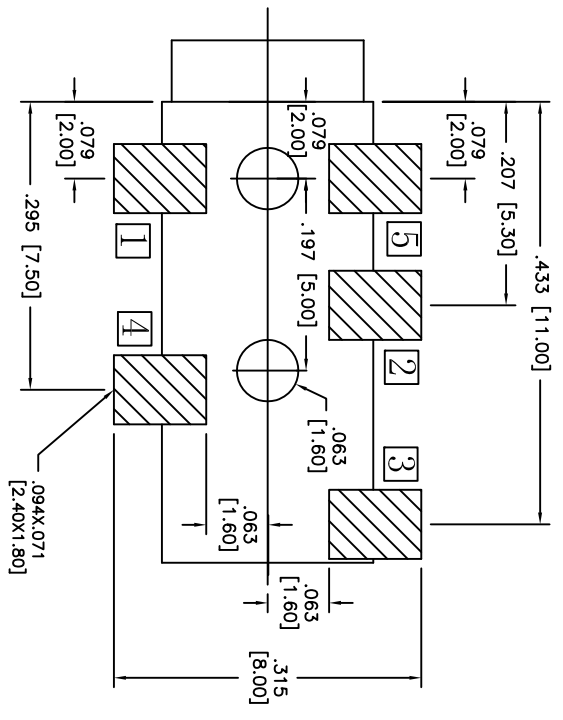
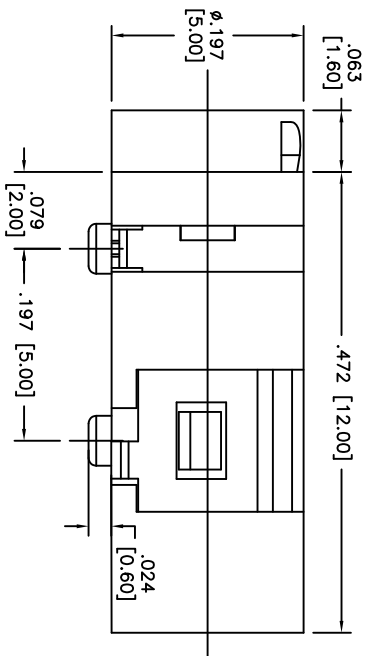
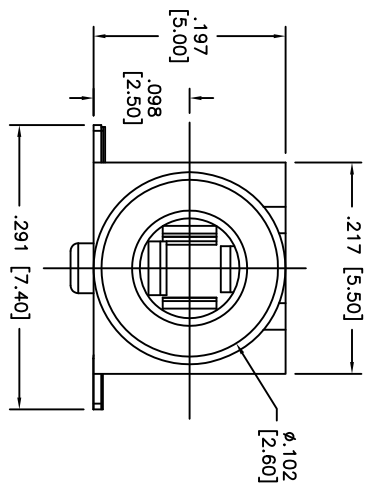


Rev	AWO #	Description	Date	Appr
-		RELEASED	9/20/10	

APPROVED: \_\_\_\_\_  
 DATE: \_\_\_\_\_ TITLE: \_\_\_\_\_



RECOMMENDED PCB LAYOUT  
 (Copper-sided view)

**SPECIFICATIONS:**

- Material: Insulator: LCP, rated UL 94V-0
- Insulator color: Black
- Contacts: Copper Alloy
- Plating: Silver over Copper underplate
- Electrical: Operating voltage: 30 VDC max.
- Current rating: 0.5 Amp max.
- Contact resistance: 50 mohms max.
- Insulation resistance: 100 Mohms min Initial.
- Dielectric withstanding voltage: 500 VAC for 1 minute
- Temperature Rating: Operating temperature: -25°C to +85°C
- Environmental: Lead free, RoHS compliant.
- Recommended soldering temp: 260°C for 5 sec.

**ADAM TECH**

909 Rahway Avenue, Union, NJ 07083  
 Phone: 908-687-5000 Fax: 908-687-5710

STEREO PHONE JACK, 3.5mm

UNLESS OTHERWISE SPECIFIED  
 ALL DIMENSIONS ARE INCHES. [MM]  
 TOLERANCES: EXCEPT AS NOTED

INCHES	HOLES
X ± .10	ØXX ± .10
.XX ± .020	ØXXX ± .015
XXX ± .015	ØXXX ± .010

APPROVALS	DATE
DRAWN AY	9/20/10
CHECKED VW	9/20/10
APPROVED	

SIZE	PART NO.	REV.
X	ASJ-104-J	-
REF: S0002C	SCALE: NTS	SHEET 1 OF 1

