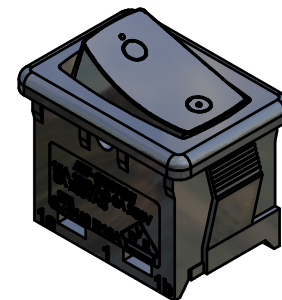
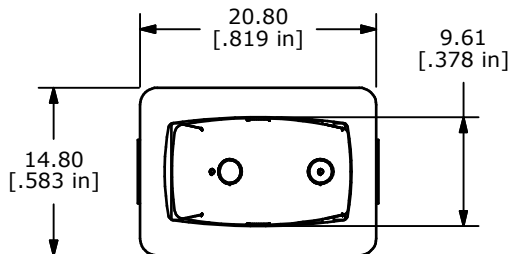


RECOMMENDED PANEL MOUNTING

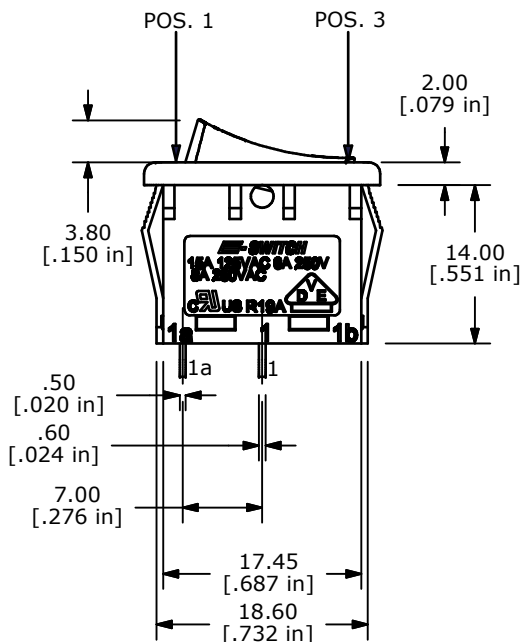
| PANEL THICKNESS | X         |
|-----------------|-----------|
| 0.75-1.25       | 19.2-19.3 |
| 1.25-2.00       | 19.3-19.4 |
| 2.00-3.00       | 19.5-19.6 |



| SWITCH FUNCTION |        |        |
|-----------------|--------|--------|
| POS. 1          | POS. 2 | POS. 3 |
|                 |        |        |
| OFF             | NONE   | ON     |
| OPEN            | N/A    | 1-1a   |



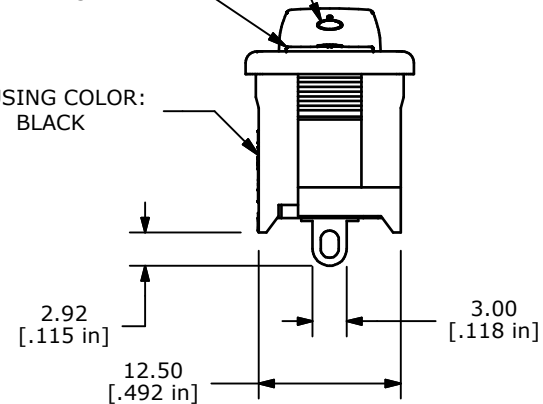
CIRCUIT: SPST



▲ CUSTOM MARKING  
WHITE PRINT

▲ ACTUATOR COLOR:  
BLACK

▲ HOUSING COLOR:  
BLACK



NOTES:

1. ALL DIMENSIONS IN MM [INCH]
2. GENERAL TOLERANCE: X.X=±0.4  
X.XX=±0.25
3. TERM. NOS. FOR REF. ONLY
4. RATING: 8A @ 250VAC  
15A @ 125VAC
5. CONTACT MATERIAL: SILVER
6. ELECTRICAL LIFE: 10,000 CYCLES MIN.
7. CONTACT RESISTANCE: <20 MILLI-OHMS INITIAL
8. DIELECTRIC STRENGTH: >1,500VAC FOR 1 MIN.
9. ▲ DENOTES CRITICAL PARAMETER.
10. 2002/95/EC (ROHS) COMPLIANT



|     |        |                        |          |     |
|-----|--------|------------------------|----------|-----|
| B   | 19359  | UPDATE HOUSING         | 11/02/10 | BMA |
| A   | 18184  | RELEASE FOR PRODUCTION | 7/23/08  | BLR |
| REV | PCR NO | DESCRIPTION            | DATE     | BY  |

|                              |           |     |         |     |
|------------------------------|-----------|-----|---------|-----|
| TITLE R1966ABLKBLK SPECIAL S |           |     |         |     |
| SCALE                        | DATE      | DR  | DWG     | REV |
| 1.5:1                        | 7/23/2008 | BLR | M300014 | B   |

THE INFORMATION CONTAINED IN THIS DOCUMENT IS PROPRIETARY TO E-SWITCH AND IS NOT TO BE COPIED OR TRANSFERRED