



RAS407-2800101

RAS4xx

RADAR SENSORS

SICK
Sensor Intelligence.



Ordering information

Type	Part no.
RAS407-2800101	1072145

Other models and accessories → www.sick.com/RAS4xx



Detailed technical data

Features

Measurement principle	FMCW HF
Radio approval	China, France ¹⁾
Frequency band	24.05 GHz + 200 MHz
Aperture angle	7° x 28° (cone)
Operating range	0.2 m ... 20 m

¹⁾ Fixed installation.

Performance

Response time	< 0.5 s
Integrated application	Collision avoidance
Number of field sets	3

Interfaces

USB	✓
Function	Parameterization
Switching outputs	3 (relays)

Mechanics/electronics

Electrical connection	1 x Cable open end
Operating voltage	10 V DC ... 30 V DC
Power consumption	8 W
Housing color	Gray
Enclosure rating	IP 65
Protection class	III
Weight	980 g
Dimensions (L x W x H)	101 mm x 151 mm x 60 mm ¹⁾ 101 mm x 151 mm x 60 mm ²⁾

¹⁾ Evaluation unit.

²⁾ Sender/receiver unit.

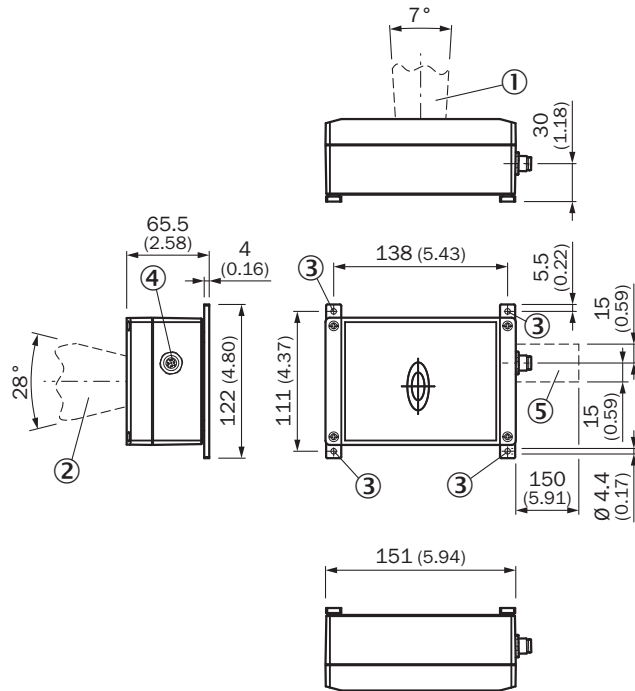
Ambient data

Electromagnetic compatibility (EMC)	ETSI EN 301 489-1 / ETSI EN 301 489-3
Vibration resistance	DIN/EN 60068-2-6, DIN/EN 60068-2-64
Shock resistance	DIN/EN 60068-2-27

Ambient operating temperature	-20 °C ... +60 °C
Storage temperature	-20 °C ... +60 °C

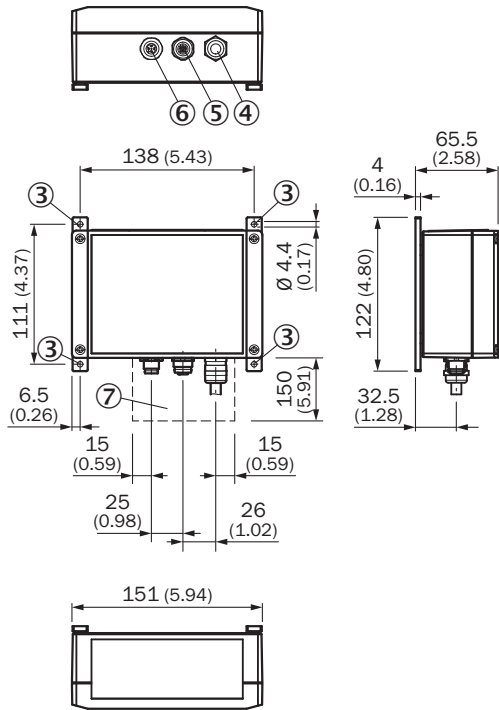
Dimensional drawing (Dimensions in mm (inch))

RAS407-280xxx



- ① Angle horizontal
- ② Angle vertical
- ③ Mounting holes, 4 x Ø 4.4 mm
- ④ Connection for controller unit
- ⑤ Recommended free space for connections

RAS4xx-xx001xx



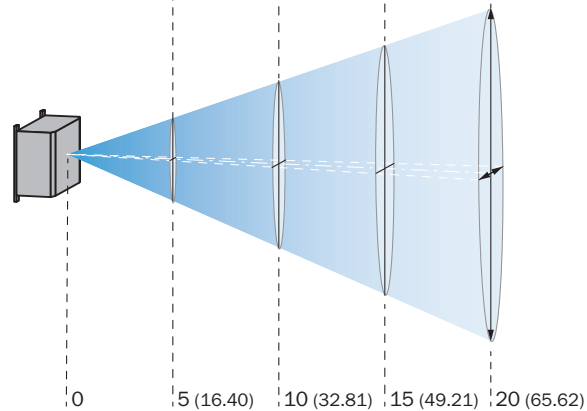
- ③ Mounting holes, 4 x Ø 4.4 mm
- ④ Power supply
- ⑤ USB port
- ⑥ Sensor unit connection
- ⑦ Recommended free space for connections

Detection area

RAS407

Dimensions in m (feet)




vertical	28°	2.5 (8.20)	5.0 (16.40)	7.5 (24.61)	10.0 (32.81)
horizontal	7°	0.6 (1.97)	1.2 (3.94)	1.4 (4.59)	2.4 (7.87)



Working distance in m (feet)

Recommended accessories

Other models and accessories → www.sick.com/RAS4xx

	Brief description	Type	Part no.
Device protection (mechanical)			
	Dust prevention shield, gray	Weather hood	2079576
Mounting brackets and mounting plates			
	Pivot mounting bracket, incl. assembly material	Mounting bracket	2061737
Plug connectors and cables			
	Head A: male connector, USB, 5-pin Head B: male connector, M12 Cable: USB 2.0, unshielded, 3 m	USB cable	2079580

SICK AT A GLANCE

SICK is one of the leading manufacturers of intelligent sensors and sensor solutions for industrial applications. A unique range of products and services creates the perfect basis for controlling processes securely and efficiently, protecting individuals from accidents and preventing damage to the environment.

We have extensive experience in a wide range of industries and understand their processes and requirements. With intelligent sensors, we can deliver exactly what our customers need. In application centers in Europe, Asia and North America, system solutions are tested and optimized in accordance with customer specifications. All this makes us a reliable supplier and development partner.

Comprehensive services complete our offering: SICK LifeTime Services provide support throughout the machine life cycle and ensure safety and productivity.

For us, that is “Sensor Intelligence.”

WORLDWIDE PRESENCE:

Contacts and other locations –www.sick.com