



75 Ohm F Female to F Female Bulkhead Adapter

TECHNICAL DATA SHEET

PE9734

75 Ohm F Female to F Female Bulkhead Adapter

Configuration

Connector 1	F Female
Impedance 1	75 Ohms
Connector 2	F Female
Impedance 2	75 Ohms
Adapter Design	Standard
Body Style	Straight
Mount Method	Bulkhead

Electrical Specifications

Frequency Range, MHz	DC to 1,000
Maximum Operating Voltage, Volts	500
Dielectric Withstanding Voltage, Vrms	1,500

Frequency 1

Frequency, MHz	DC to 250
VSWR	1.3:1
Return Loss, dB	17.69

Mechanical Specifications

Temperature

Operating Range, deg C	-40 to +60
------------------------	------------

Size

Length, in [mm]	0.93 [23.62]
Width/Dia., in [mm]	0.437 [11.1]

Connector 1

Type	F Female
Inner Conductor Material and Plating	Brass, Gold
Body Material and Plating	Brass, Nickel
Body Plating Specification	100µ in. minimum
Dielectric Type	Teflon

Connector 2

Type	F Female
Inner Conductor Material and Plating	Brass, Gold
Body Material and Plating	Brass, Nickel
Body Plating Specification	100µ in. minimum
Dielectric Type	Teflon

Click the following link (or enter part number in "SEARCH" on website) to obtain additional part information including price, inventory and certifications: [75 Ohm F Female to F Female Bulkhead Adapter PE9734](#)

The information contained in this document is accurate to the best of our knowledge and representative of the part described herein. It may be necessary to make modifications to the part and/or the documentation of the part, in order to implement improvements. Pasternack reserves the right to make such changes as required. Unless otherwise stated, all specifications are nominal.



75 Ohm F Female to F Female Bulkhead Adapter

TECHNICAL DATA SHEET

PE9734

Compliance Certifications (visit www.Pasternack.com for current document)

RoHS Compliant

Yes

Plotted and Other Data

Notes:

Values at 25 °C, sea level

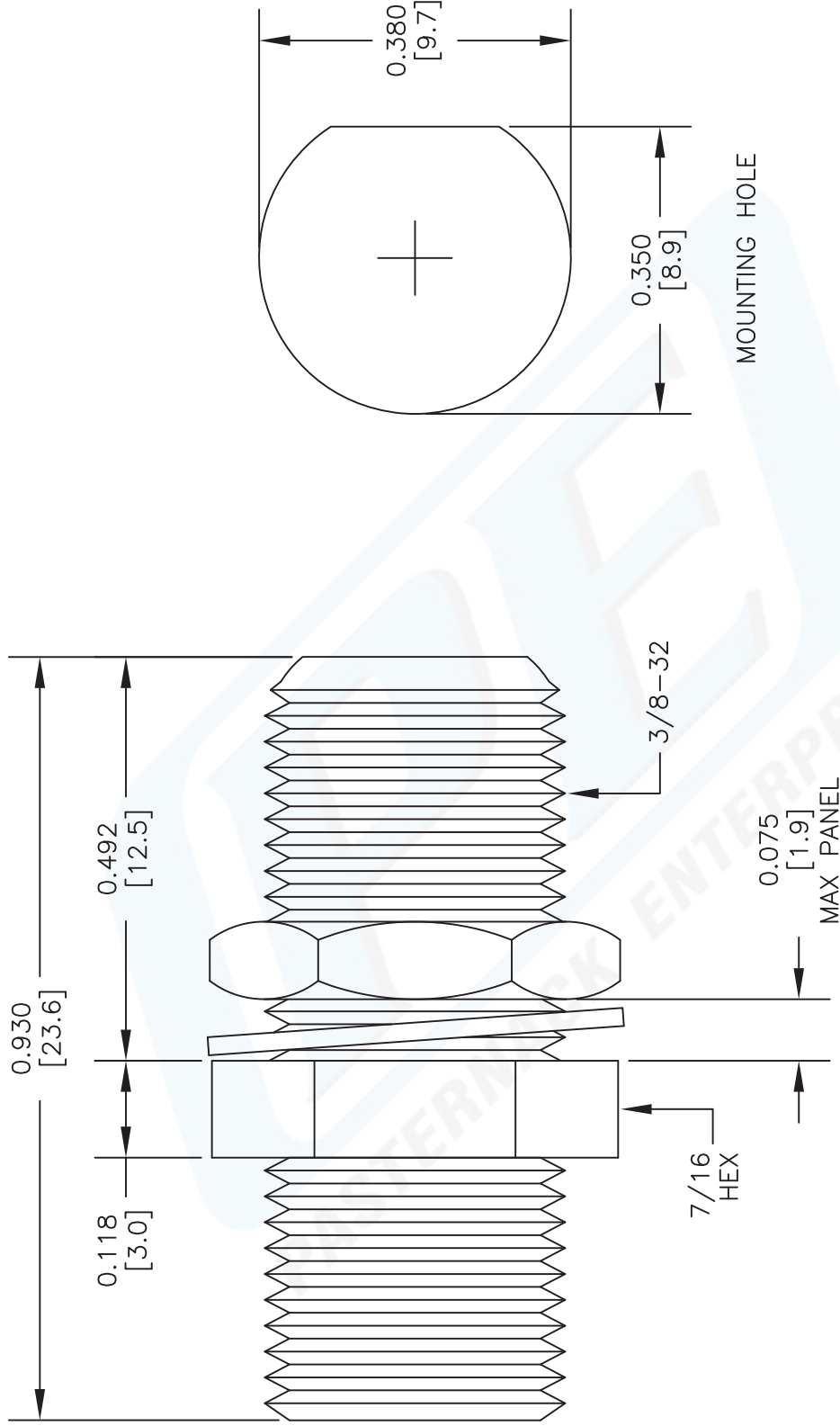
URL: <http://www.pasternack.com/f-female-f-female-straight-adapter-pe9734-p.aspx>

75 Ohm F Female to F Female Bulkhead Adapter from Pasternack Enterprises has same day shipment for domestic and International orders. Our RF, microwave and fiber optic products maintain a 99% availability and are part of the broadest selection in the industry.

The information contained in this document is accurate to the best of our knowledge and representative of the part described herein. It may be necessary to make modifications to the part and/or the documentation of the part, in order to implement improvements. Pasternack reserves the right to make such changes as required. Unless otherwise stated, all specifications are nominal.

PE9734 CAD Drawing

75 Ohm F Female to F Female Bulkhead Adapter



DWG TITLE

PE9734

NOTES:
 1. UNLESS OTHERWISE SPECIFIED ALL DIMENSIONS ARE NOMINAL.
 2. ALL SPECIFICATIONS ARE SUBJECT TO CHANGE WITHOUT NOTICE AT ANY TIME.
 3. DIMENSIONS ARE IN INCHES [mm].

FSCM NO. 53919

CAD FILE 091912-A

SCALE N/A

SIZE A

2233

PE PASTERNAK
 Pasternack Enterprises, Inc.
 P.O. Box 16759 | Irvine | CA | 92623
 Phone: (949) 261-1920 | Fax: (949) 261-7451
 Website: www.pasternack.com | E-Mail: sales@pasternack.com