

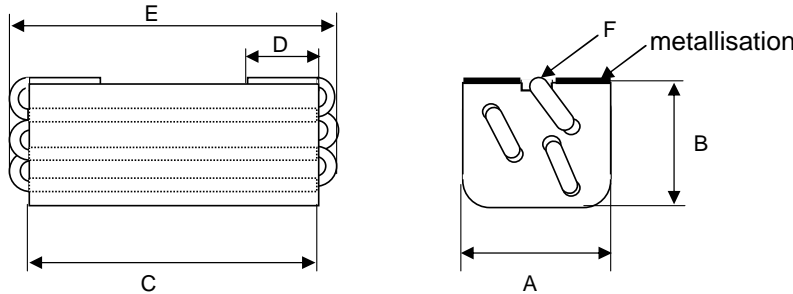
Spezifikation für Freigabe / specification for release

Kunde / customer : _____
 Artikelnummer / part number : **7427511**
 Bezeichnung : **5-Loch SMD Ferritperle WE-SUKW**
 description : **5-Hole SMD Ferrite Bead WE-SUKW**



DATUM / DATE : 2007-06-11

A Mechanische Abmessungen / dimensions:

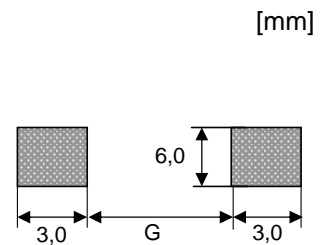


A	5,0 ± 0,25	mm
B	4,6 ± 0,5	mm
C	5,5 ± 0,5	mm
D	2,0 max.	mm
E	8,0 max.	mm
F	∅ 0,5 ref.	mm
G	2,0 max.	mm

B Elektrische Eigenschaften / electrical properties:

Eigenschaften / properties	Testbedingungen / test conditions		Wert / value	Einheit / unit	
Impedanz @ 2,5 Wg./ impedance @ 2,5 turn	25 MHz	Z	272	Ω	typ.
Impedanz @ 2,5 Wg./ impedance @ 2,5 turn	100 MHz	Z	416	Ω	typ.
Nennstrom rated current		I _{DC}	5,00	A	max.

C



D Prüfgeräte / test equipment:

HP 4191 B für/for Z und/and material
16092A - Klemme / clamp

E Testbedingungen / test conditions:

Luftfeuchtigkeit / humidity: 33%
 Umgebungstemperatur / temperature: + 20°C

F Werkstoffe & Zulassungen / material & approvals:

Basismaterial / base material: 5 W 700

G Eigenschaften / general specifications:

Curietemperatur / curie temperature: + 140°C
 Lagertemperatur / storage temperature: -40°C - + 125°C
 Betriebstemp. / operating temperature: -40°C - +125°C

Freigabe erteilt / general release:	Kunde / customer				
				
Datum / date	Unterschrift / signature				
	Würth Elektronik				
				
Geprüft / checked	Kontrolliert / approved				
			Name	Änderung / modification	Datum / date
			SMU	Version 6	07-06-11
			SST	add name	05-03-17
			LF	RoHS Update	04-10-11
			LF	Pad / Metallisation	04-06-03
			LF	Tape and Reel Spec.	04-02-17
			JH	Neugestaltung	00-12-06

Würth Elektronik eiSos GmbH & Co. KG

D-74638 Waldenburg · Max-Eyth-Strasse 1 - 3 · Germany · Telefon (+49) (0) 7942 - 945 - 0 · Telefax (+49) (0) 7942 - 945 - 400
<http://www.we-online.com>

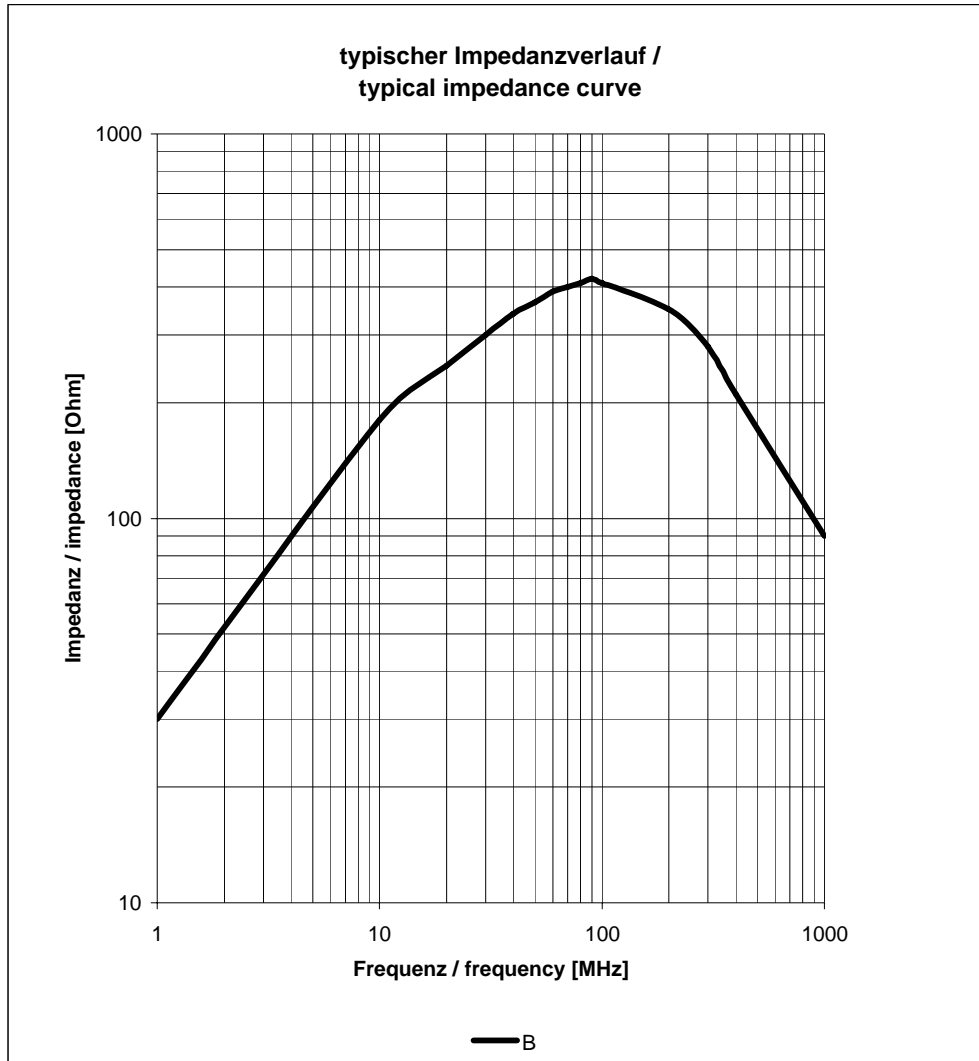
Spezifikation für Freigabe / specification for release

Kunde / customer : _____
 Artikelnummer / part number : **7427511**
 Bezeichnung : **5-Loch SMD Ferritperle WE-SUKW**
 description : **5-Hole SMD Ferrite Bead WE-SUKW**



DATUM / DATE : 2007-06-11

H Impedanzverlauf / impedance curve:



B: 2,5 Windungen / 2,5 turns

Freigabe erteilt / general release:	Kunde / customer			
.....	SMU	Version 6	07-06-11
Datum / date	Unterschrift / signature	SST	add name	05-03-17
.....	LF	RoHS Update	04-10-11
	Würth Elektronik	LF	Pad / Metallisation	04-06-03
.....	LF	Tape and Reel Spec.	04-02-17
Geprüft / checked	Kontrolliert / approved	JH	Neugestaltung	00-12-06
		Name	Änderung / modification	Datum / date

Würth Elektronik eiSos GmbH & Co. KG

D-74638 Waldenburg · Max-Eyth-Strasse 1 - 3 · Germany · Telefon (+49) (0) 7942 - 945 - 0 · Telefax (+49) (0) 7942 - 945 - 400
<http://www.we-online.com>

Spezifikation für Freigabe / specification for release

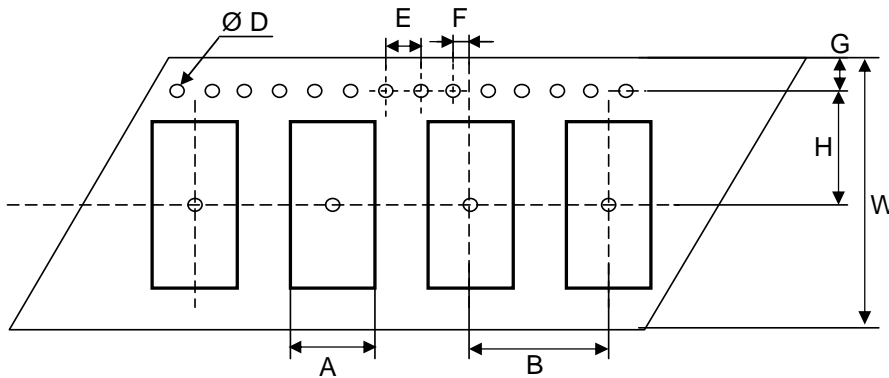
Kunde / customer : _____
 Artikelnummer / part number : **7427511**
 Bezeichnung : **5-Loch SMD Ferritperle WE-SUKW**
 description : **5-Hole SMD Ferrite Bead WE-SUKW**



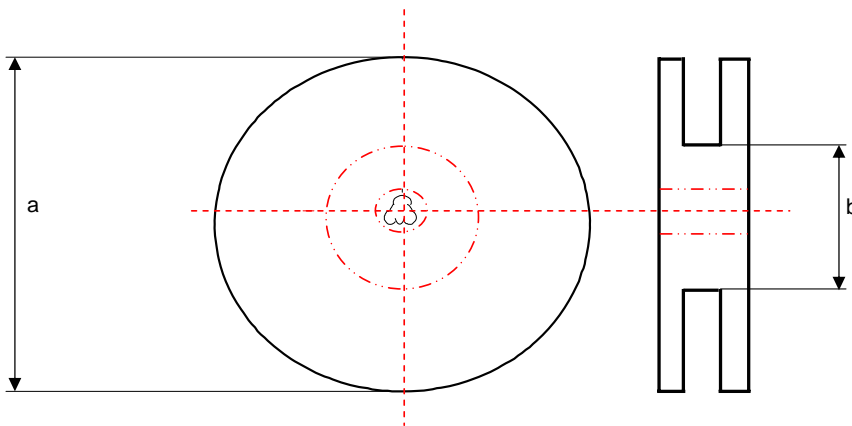
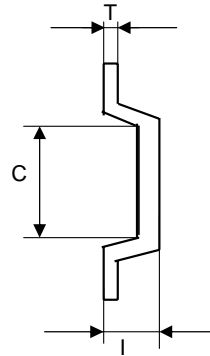
DATUM / DATE : 2007-06-11

I Rollenspezifikation / tape and reel specification :

Gurtspezifikation / Tape specification :



A	5,40 ± 0,1	mm
B	12,0 ± 0,1	mm
C	7,4 ± 0,1	mm
D	1,50^{+0,1}_{-0,0}	mm
E	4,00 ± 0,1	mm
F	2,00 ± 0,1	mm
G	1,75 ± 0,1	mm
H	11,5 ± 0,1	mm
I	5,20 ± 0,1	mm
W	24,0 ± 0,3	mm
T	0,40 ± 0,05	mm



Rollenspezifikation/reel specification:		
a	330,0 ± 0,1	mm
b	100,0 ± 0,1	mm

Freigabe erteilt / general release:	Kunde / customer		

Datum / date	Unterschrift / signature		
	Würth Elektronik		

Geprüft / checked	Kontrolliert / approved		

	Name	Änderung / modification	Datum / date
	SMU	Version 6	07-06-11
	SST	add name	05-03-17
	LF	RoHS Update	04-10-11
	LF	Pad / Metallisation	04-06-03
	LF	Tape and Reel Spec.	04-02-17
	JH	Neugestaltung	00-12-06

This electronic component has been designed and developed for usage in general electronic equipment. Before incorporating this component into any equipment where higher safety and reliability is especially required or if there is the possibility of direct damage or injury to human body, for example in the range of aerospace, aviation, nuclear control, submarine, transportation, (automotive control, train control, ship control), transportation signal, disaster prevention, medical, public information network etc, Würth Elektronik eiSos GmbH must be informed before the design-in stage. In addition, sufficient reliability evaluation checks for safety must be performed on every electronic component which is used in electrical circuits that require high safety and reliability functions or performance.

Würth Elektronik eiSos GmbH & Co. KG

D-74638 Waldenburg · Max-Eyth-Strasse 1 - 3 · Germany · Telefon (+49) (0) 7942 - 945 - 0 · Telefax (+49) (0) 7942 - 945 - 400
<http://www.we-online.com>