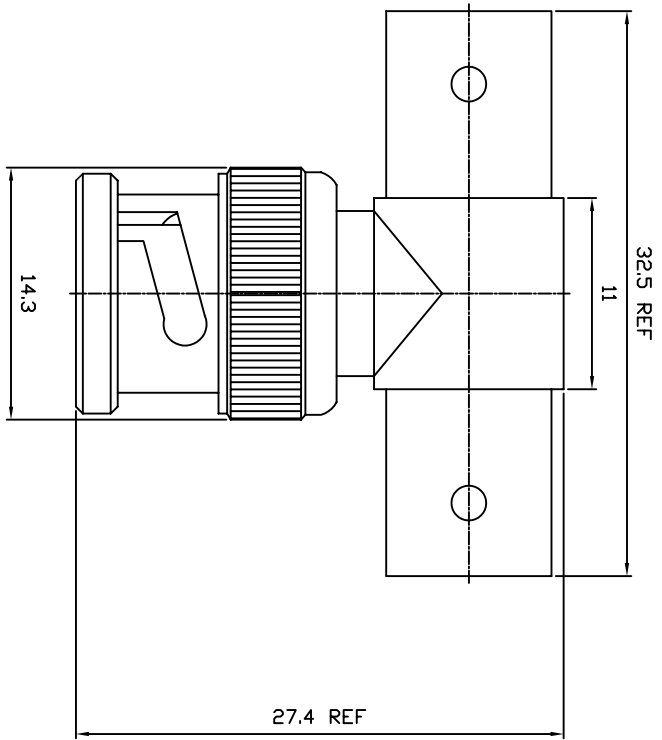


Rev	AWO #	Description	Date	Appr
-		RELEASED	8/19/05	

APPROVED: \_\_\_\_\_  
 DATE: \_\_\_\_\_ TITLE: \_\_\_\_\_



NO	DESCRIPTION	MATERIAL	FINISH	QTY
11	GASKET	RUBBER	RED	1
10	WASGWR	IRON	NICKEL	1
9	SPRING	SK-5	NICKEL	1
8	WASGWR	IRON	NICKEL	1
7	INSULATOR	DELIRIN	WHITE	1
6	PIN	BRASS	GOLD	1
5	WASHER	IRON	NICKEL	1
4	INSULATOR	DELIRIN	WHITE	1
3	PIN	BRASS	GOLD	1
2	BDDY	ZINC	NICKEL	1
1	SHELL	ZINC	NICKEL	1

UNLESS OTHERWISE SPECIFIED  
 ALL DIMENSIONS ARE INCHES [MM]  
 TOLERANCES: EXCEPT AS NOTED

INCHES	HOLES
.X ± .10	Ø.X ± .10
.XX ± .020	Ø.XX ± .015
.XXX ± .015	Ø.XXX ± .010

APPROVALS

DATE	DATE
SS	8/19/05

# ADAM TECH

909 Rahway Avenue, Union, NJ 07083  
 Phone: 908-687-5000 Fax: 908-687-5710

TITLE: BNC MALE TO DOUBLE BNC FEMALE  
 75 OHM

RF-1-05-D-XX-75

**ELECTRICAL:**  
 Frequency range: 0-4 GHz  
 Voltage rating: 500 Volts AC  
 VSWR: 1.2 max 0-2 GHz  
 Impedance: 75 OHMS  
 Environmental:  
 Lead free, RoHS compliant.

