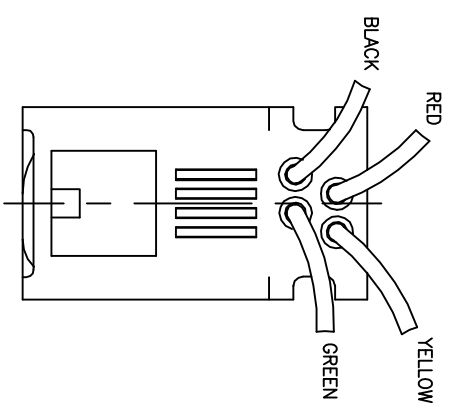
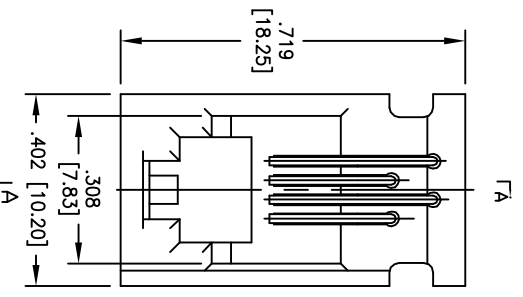
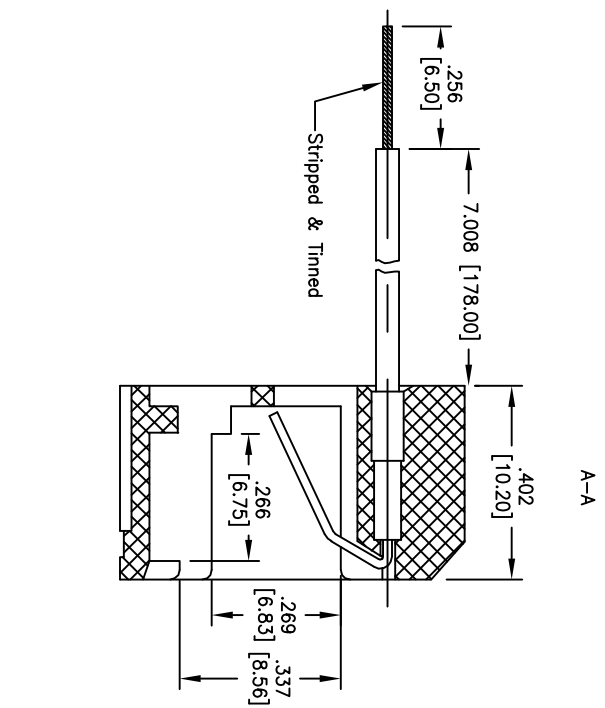


Rev	AWO #	Description	Date	Appr
-	9929	RELEASED	12/18/09	

APPROVED: _____
 DATE: _____ TITLE: _____

THIS IS A CUSTOM CABLE PRODUCT THAT IS NON-CANCELABLE / NON-RETURNABLE



X	PLATING
0	15 μ" Gold
1	30 μ" Gold
2	50 μ" Gold

SPECIFICATIONS:

Material: Insulator: ABS, rated UL 94V-0
 Insulator color: Deep Grey
 Contacts: Phospor Bronze
 Wire: 26 Awg, UL 1061
 PVC Coated
 Plating: Gold over Nickel underplate on mating area
 (See plating chart for thickness)

A Electrical:

Operation voltage: 150 VAC max
 Current rating: 1.5 Amps max
 Insulation resistance: 1000 Mohms min @ 500 VDC
 Dielectric withstanding voltage: 1000 VAC for 1 minute
 Environmental:
 Operating temperature: -40°C to +70°C
 Lead free, RoHS compliant.



ADAM TECH

909 Rahway Avenue, Union, NJ 07083
 Phone: 908-687-5000 Fax: 908-687-5710

TITLE: WIRED JACK, 616L, PANEL MOUNT
 COLOR GRAY

UNLESS OTHERWISE SPECIFIED ALL DIMENSIONS ARE MM [INCHES] TOLERANCES: EXCEPT AS NOTED INCHES	HOLE	HOLE	DATE	SIZE	PART NO.	SCALE	SHEET	REV.
X ± .10	ØX ± .10	ØXXX ± .015	12/18/09	X	MTJP-616L-XA1-2	NIS	1 OF 1	-
.XX ± .020	ØXXX ± .015	ØXXX ± .010						
APPROVALS								
CHECKED								
APPROVED								