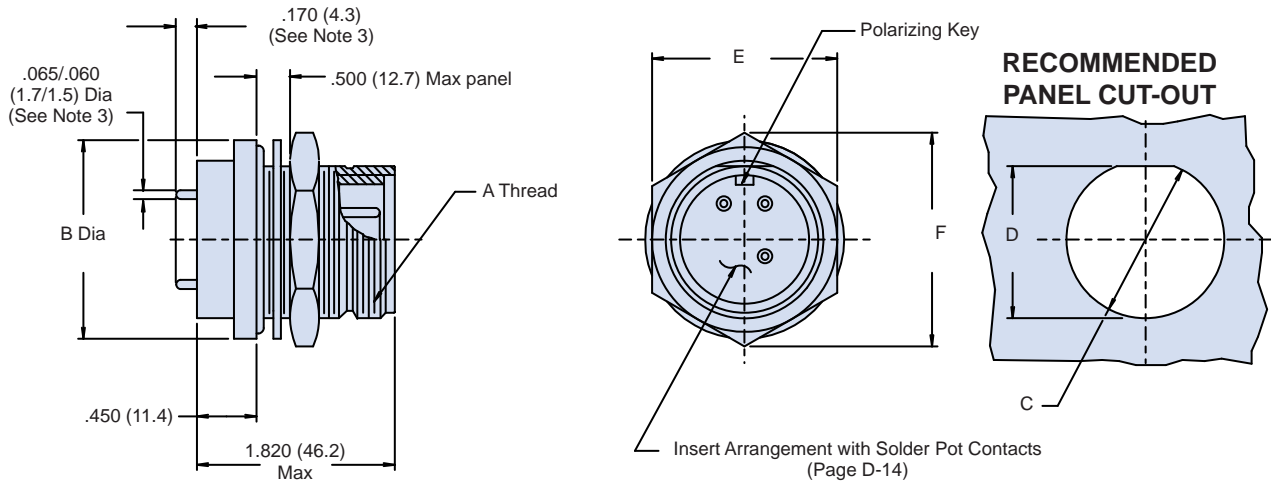




257-005

**Connector Receptacle Assembly
Stainless Steel Harsh Environment
with Printed Circuit Board Contacts**

How To Order									
Sample Part Number	257	-005	H	2	-14S	-5	P	W	M
Series No.	257								
Basic No.	-005								
Class	H = Hermetic - = Standard								
Connector Style	2 = Receptacle								
Shell Size	See Table I								
Insert Arrangement Dash No.	See page D-14								
Contact Style	P = Pin S = Socket (Non-Hermetic)								
Alternate Insert Position	See page D-14. Omit for Normal								
Molding Adapter	M = Molding Adapter Omit = None								



Shell Size	A Thread Class 2A	B Dia Max	C Dia +.010 (0.3) -.000	D +.010 (0.3) -.000	E Flats	F Ref
10SL	5/8 - 24 UNEF	1.030 (26.2)	.653 (16.6)	.585 (14.9)	.870 (22.1)	1.000 (25.4)
12	3/4 - 20 UNEF	1.160 (29.5)	.760 (19.3)	.710 (18.0)	.995 (25.3)	1.125 (28.6)
14S	7/8 - 20 UNEF	1.280 (32.5)	.885 (22.5)	.835 (21.2)	1.120 (28.4)	1.250 (31.8)
18	1 1/8 - 18 UNEF	1.660 (42.2)	1.135 (28.8)	1.085 (27.6)	1.495 (38.0)	1.730 (43.9)
20	1 1/4 - 18 UNEF	1.780 (45.2)	1.260 (32.0)	1.210 (30.7)	1.620 (41.1)	1.870 (47.5)
24	1 1/2 - 18 UNEF	2.030 (51.6)	1.510 (38.4)	1.460 (37.1)	1.870 (47.5)	2.165 (55.0)
28	1 3/4 - 18 UNEF	2.280 (57.9)	1.760 (44.7)	1.710 (43.4)	2.120 (53.8)	2.448 (62.2)

Notes:

1. Metric dimensions (mm) are indicated in parentheses.
2. Electrical safety limits must be established by the user. Peak voltages, switching surges, etc., should be used to determine the safety of the application.
3. Applies to size 16 contacts only. Consult factory for other sizes