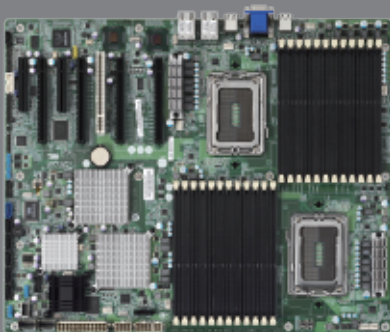
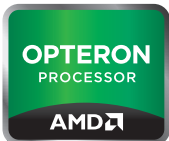


DUAL-SOCKET SERVER PLATFORM



S8232

S8232WGM4NR / S8232GM4NR /
S8232WAG2NRF-LE / S8232AG2NRF-LE



■ AMD Opteron™ 6100 / 6200 series

High-End Dual-socket server platform for HPC

- Dual G34 socket supports (2) AMD Opteron™ 6100/6200 series processor
- AMD® (2)SR5690 North Bridge + SP5100 South
- (12)+(12) 240-pin DDR3 DIMM slots support up to 256GB R-DDR3 and 64GB U-DDR3 1333/1066/800MHz w/ ECC memory
- (4) PCI-E Gen.2 x16 slot (w/ x16 link)
- (2) PCI-E Gen.2 x8 slots (w/ x4 link)
- (1) PCI slot
- (6) SATA-II connectors w/ RAID 0, 1, 10, 5 support
- (2) Mini-SAS connectors for 8 SAS/SATA device w/ RAID 0,1,1E,10
- (4) GbE LAN , 2 Intel 82576 LAN
- TPM 1.2 (Trusted Platform Module) optional
- Onboard BMC w/ IPMI and iKVM support
- MEB 13" x 16" (330 x 406mm) form factor



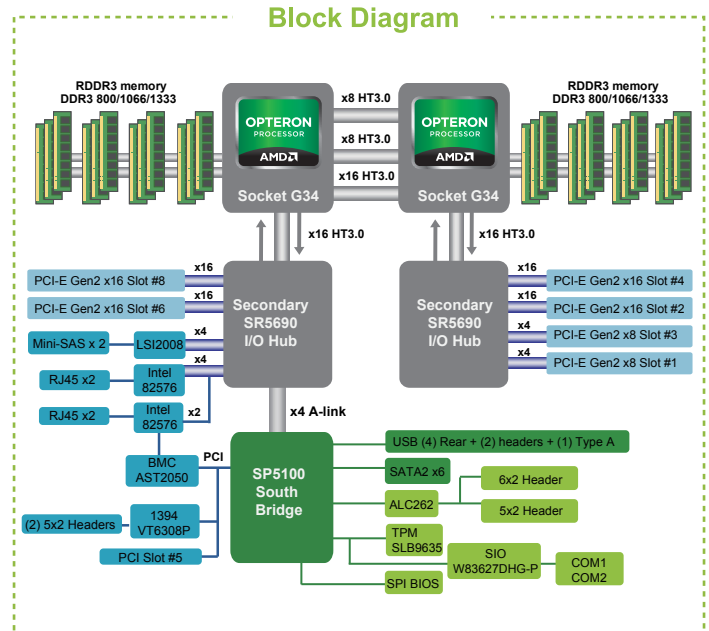
S8232

S8232WGM4NR / S8232GM4NR /
S8232WAG2NRF-LE / S8232AG2NRF-LE

TYAN

Specifications

Processor	Supported CPU Series	AMD Opteron™ 6100/6200 series processors	
	Socket Type / Q'ty	LGA1944 / (2)	
	Thermal Design Power (TDP) wattage	Up to 105W	
Chipset	Chipset	AMD® (2)SR5690 + SP5100 -LE SKU (1)SR5690 + SP5100	
	Super I/O	Winbond W83627	
Memory	Supported DIMM Qty	(12)+(12) DIMM sockets	
	DIMM Type / Speed	DDR3 800/1066/1333 UDIMM /RUIMM	
	Capacity	Up to 256GB RDIMM/ 64GB UDIMM	
	Memory channel	4 Channels per CPU	
Expansion Slots	Memory voltage	up to 1.5V	
	PCI-E	(4) PCI-E Gen.2 x16 slots (w/ x16 link) (2) PCI-E Gen2x8 slots (w/x4 link) (2) PCI-E Gen2x16 slots (w/x16 link) -E SKU	
	Recommended TYAN® Riser Card		
LAN	PCI	(1) PCI	
	Port Q'ty	Max (4)	
Storage	SAS (opt.)	Controller	(2) Intel® 82576
		Connector	(2) Mini-SAS ports
		Speed	6.0 Gb/s
	SATA	RAID	RAID 0/1/1E/10 (LSI Integrated RAID)
		Controller	(6) single-port
		Speed	AMD SP5100
Graphic	RAID	RAID 0/1/10/5 (Promise raid stack)	
	Connector type	D-Sub 15-pin	
	Resolution	1600x1200@60Hz	
	Chipset	Aspeed AST2050	
Audio	Chipset	N/A	
	Feature	N/A	
Firewire	Chipset	N/A	
	Port Q'ty	N/A	
TPM (Optional)	Chipset	SLB9635	
	Version	TPM v1.2	
Input /Output	USB	(9) USB2.0 ports (4 at rear, 4 via cable, 1 type A onboard)	
	COM	(2) ports (1 at rear, 1 via cable)	
	PS/2	None	
	SAS	(2) Mini-SAS ports	
	VGA	(1) D-Sub 15-pin VGA port	
	RJ-45	Max (4) GbE ports	
	Power	Universal 24-pin + 8-pin + 8-pin + 4-pin power connectors	
	Front Panel	(1) 2x12 pin SSI front panel header	
	SATA	(6) single port SATA-II connectors	
	System Monitoring	Chipset	Winbond W83793G
Voltage		Monitors voltage for CPU, memory, chipset & power supply	
Fan		Total (8) 4-pin headers	
Temperature		Monitors temperature for CPU & system environment	
Others	Chassis intrusion detection Watchdog timer support		



Server Management	Onboard Chipset	Onboard Aspeed AST2050
	AST2050 IPMI Feature	IPMI 2.0 compliant baseboard management controller (BMC) BIOS update USB 2.0 virtual hub
	AST2050 iKVM Feature	24-bit high quality video compression Dual 10/100 Mb/s MAC interfaces
BIOS	Brand / ROM size	AMI / 4MB
	Feature	Plug and Play (PnP) / PCI 2.3 WfM2.0 / SMBIOS2.3 / PXE boot ACPI 2.0 power management Power on mode after power recovery User-configurable H/W monitoring Auto-configurable of hard disk types Multiple boot options
Form Factor	Form Factor	MEB
	Board Dimension	13" x 16" (330 x 406mm)
Operating System	OS supported list	Please refer to our OS supported list.
Regulation	FCC (DoC)	Class B
	CE (DoC)	Yes
Operating Environment	Operating Temp.	10° C ~ 35° C (41° F ~ 95° F)
	Non-operating Temp.	- 40° C ~ 70° C (-40° F ~ 158° F)
	In/Non-operating Humidity	Operating Relative Humidity: 15% to 90% (non-condensing) Non-operating Relative Humidity: 10% to 95% (non-condensing)
RoHS	RoHS 6/6 Compliant	Yes

(Specifications are subject to change without notice. Items pictured may only be representative.)

MITAC INTERNATIONAL CORP.
TYAN Business Unit

USA
Tel: +1-510-651-8868
Fax: +1-510-651-7688

Taiwan
Tel: +886-2-2652-5888
Fax: +886-2-2652-5805

Japan
Tel: +81-3-3769-8311
Fax: +81-3-3769-8328

Europe
Sales: +32 2456 1721
Technical Support: +32 2456 1722

China
Shanghai Tel: +86-21-61431188 Ext 1366
China Tel: +86-010-62555015 Ext 8302