

GOG9xx08C

THREE PHASE AC-DC BRIDGE

- Fuse protection
- Temperature sensors
- Snubber for SCR's protections
- Compact design
- Cooling fans included

LINE VOLTAGE UP TO 500V

DC OUTPUT CURRENT 800A

GOG94008C GOG95008C

Line to line voltage	400	500	
----------------------	------------	------------	--

Characteristic		Conditions	Value	Value	
I _{DC}	DC output current		800 A	800 A	
V _{INS} (rms)	Insulation voltage		3000 V	3000 V	

THYRISTOR TRIGGERING CHARACTERISTICS

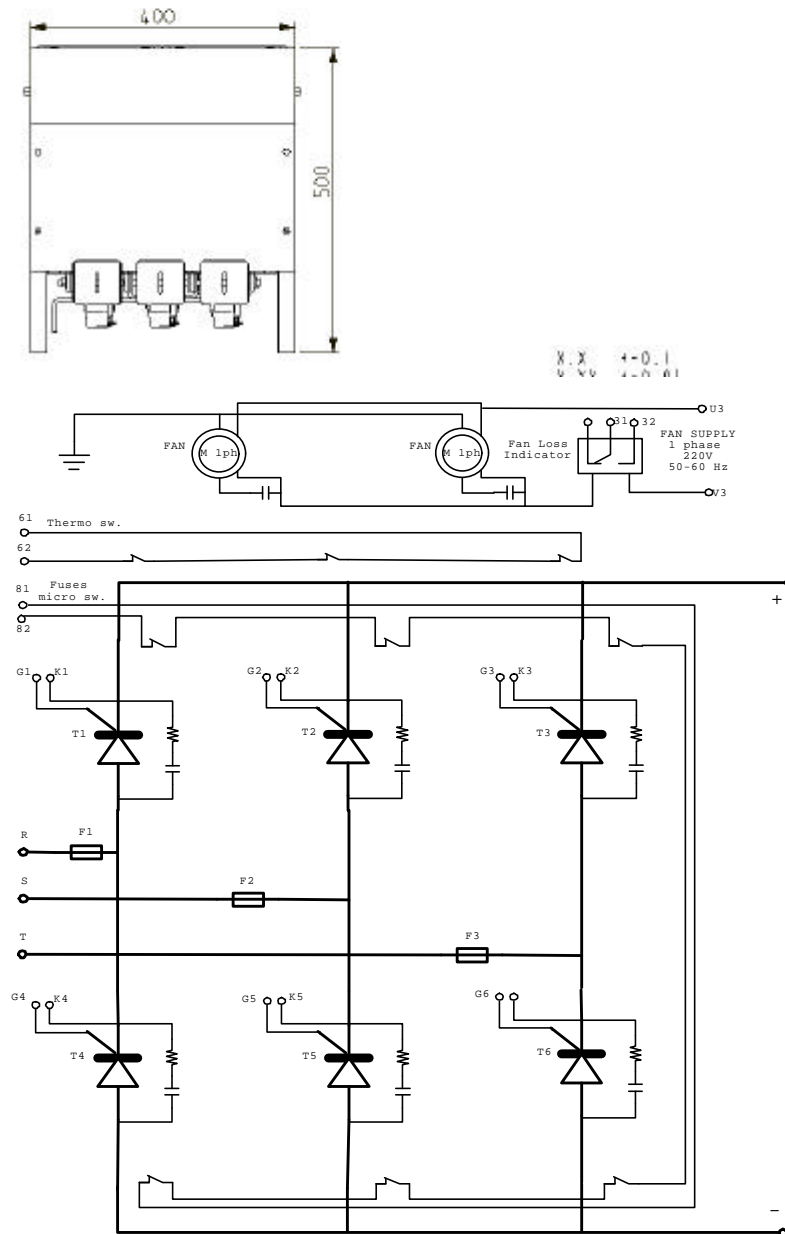
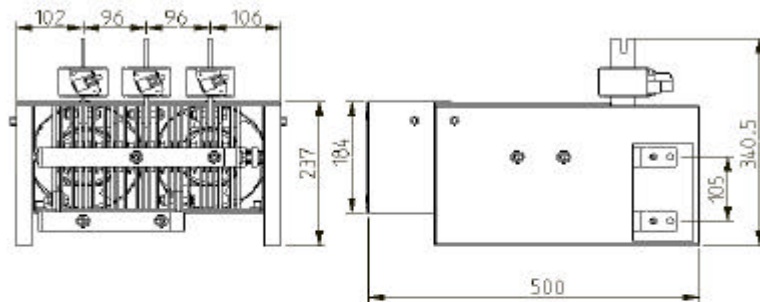
V _{GT}	Gate trigger voltage	T _j = 25 °C, V _D = 5 V	3 V	3 V	
I _{GT}	Gate trigger current	T _j = 25 °C, V _D = 5 V	300 mA	300 mA	
dV/dt	Critical rate of rise off-state voltage	T _j = 125 °C	1000 V/us	1000 V/us	
V _{RRM}	Blocking Voltage	T _j = 125 °C	1200 V	1600 V	

FUSE TYPE SIBA 2068132.700

V _{NF}	Rated voltage		690 V	690 V	
I _{NF}	Rated current		700 A	700 A	
P _{VF}	Power loss	At rated current	99 W	99 W	
I ² _t	Total I ² _t	At 660V	410 kA2s	410 kA2s	

MECHANICAL AND THERMAL CHARACTERISTICS

	Width		400 mm	400 mm	
	Depth		340 mm	340 mm	
	Height		500 mm	500 mm	
	Mass		30 Kg	30 Kg	
T _{a max}	Max amb. op. Temp.		40 °C	40 °C	
T _{stg}	Storage temperature		-40/ +60 °C	-40/ +60 °C	



In the interest of product improvement Green Power Semiconductors reserves the right to change any specification given in this data sheet without notice.