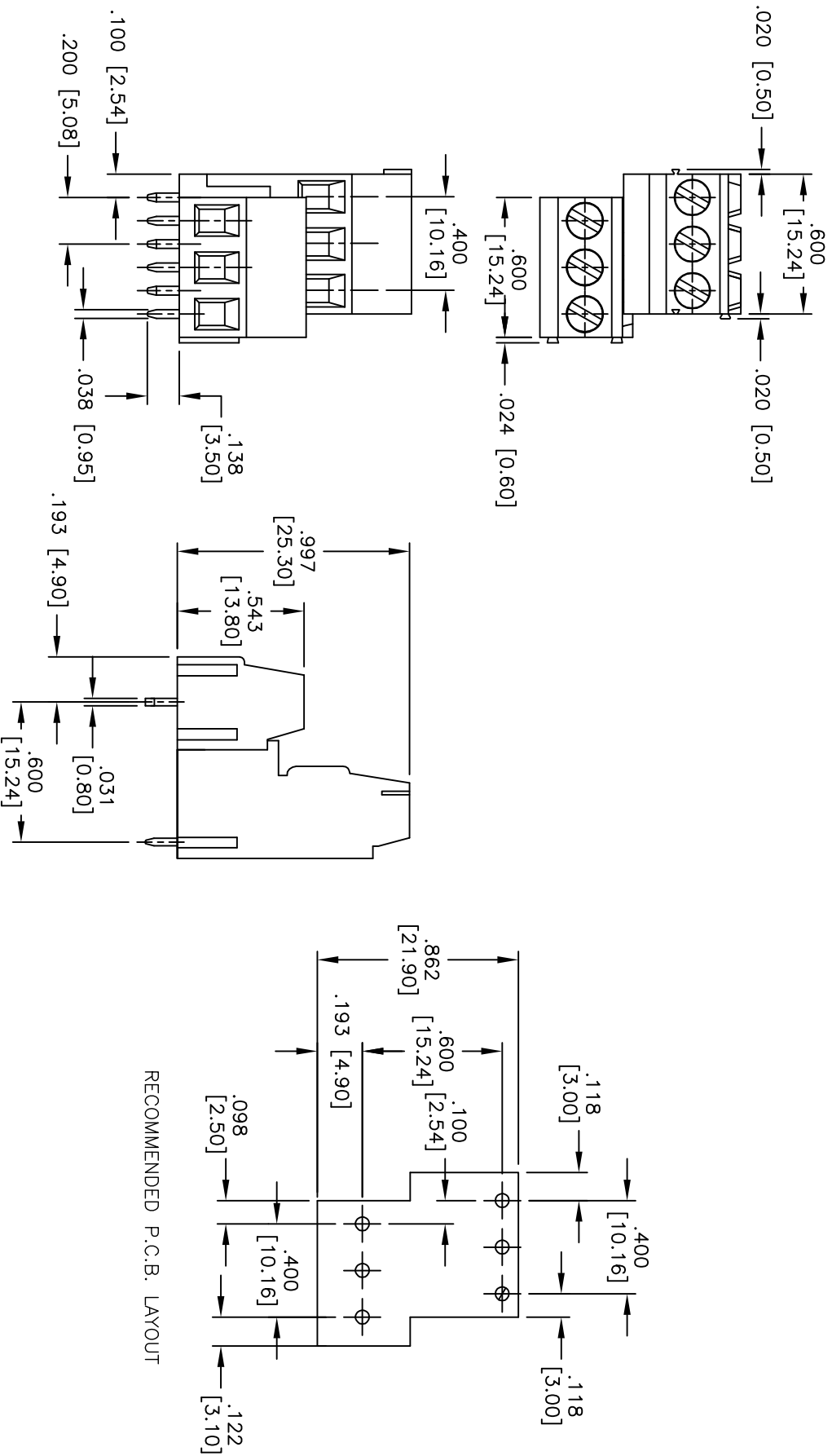


| Rev | AWO # | Description | Date | Appr |
|-----|-------|-------------|---------|------|
| - | | RELEASED | 4/26/07 | |

APPROVED: _____
 DATE: _____ TITLE: _____



RECOMMENDED P.C.B. LAYOUT

SPECIFICATIONS:
 Material: Insulator: Nylon, rated UL 94V-0
 Insulator color: Green
 Plating: Tin over Nickel underplate overall.
 Electrical: Operation voltage: 300V max
 Current rating: 10 Amps max per Pole
 Insulation resistance: 5000 Mohms min @ 1000V
 Dielectric withstanding voltage: 2000 VAC for 1 minute
 Environmental: Operating temperature: -33°C to +120°C
 Recommended Soldering Temp: 235°C for 5 Seconds.



UNLESS OTHERWISE SPECIFIED
 ALL DIMENSIONS ARE INCHES [MM]
 TOLERANCES: EXCEPT AS NOTED
 INCHES HOLEES [MM]

| | | | |
|------|--------|-------|--------|
| .X | ± .10 | ØXX | ± .10 |
| .XX | ± .020 | ØXXX | ± .015 |
| .XXX | ± .015 | ØXXXX | ± .010 |

APPROVALS: _____ DATE: _____

| | | |
|----------|----|---------|
| DRAWN | BW | 4/26/07 |
| CHECKED | | |
| APPROVED | | |

ADAM TECH
 909 Rahway Avenue, Union, NJ 07083
 Phone: 908-687-5000 Fax: 908-687-5710

TITLE: **EURO BLOCK, DUAL**
 5.08mm PITCH

| | | |
|------|------------|--------------|
| SIZE | PART NO. | REV. |
| X | EBV2-03-D | - |
| REF: | SCALE: NTS | SHEET 1 OF 1 |