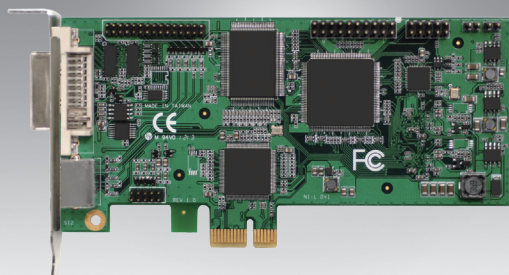


DVP-7012HE

1-ch H.264/MPEG4 Low-Power PCIe Video Capture Card with SDK

NEW



Features

- 1-channel DVI-I/YPbPr/S-Video/Composite video input with H.264 software compression
- 60/50 fps (NTSC/PAL) at up to full HD resolution for recording and display
- PCIe x1 (Gen2) host interface
- Low power consumption
- Supports Watchdog function
- Windows/Linux OS supported



Introduction

DVP-7012HE is a PCIe-bus, low-power software compression video capture card with 1 channel of either DVI-I/YPbPr/S-Video/Composite video and 2 audio inputs. DVP-7012HE supports H.264 baseline compression format at up to full HD resolution at real-time frame rate (60/50fps). With an easy-to-use software development kit (SDK) and flexibility to stack multiple cards, DVP-7012HE is an ideal solution for various video capture applications.

Specifications

Video	Video Standard	Composite for NTSC/PAL
	Video Input	1 x DVI-I/YPbPr/S-Video/Composite
	Video Output	1 x DVI-I/YPbPr/S-Video/Composite Loop Through (Optional)
	Compression	S/W H.264/MPEG4
	Max. Display Rate	60/50 fps (NTSC/PAL) @ 1920 x 1080p
	Max. Recording Rate	60/50 fps (NTSC/PAL) @ 1920 x 1080p
Audio	Audio Input	2 x RCA (Audio L/R through component cable)
	Format	Stereo/16 bits/32000-48000Hz
System Requirements	CPU (Display)	Intel Core 2 Duo E2200 2.2 GHz
	CPU (Recording)*	Intel Core 2 Quad Q9400 2.6 GHz
	Memory	2 GB
	VGA	1024 x 768, DirectX 9.0c
	Operating System	Windows XP/XPe/Vista/7; Linux 2.6.14 or higher; 32/64 bits
Physical Characteristics	Host Interface	PCIe x1 (Gen 2)
	Operating Temperature	-20 ~ 70° C (-4 ~ 158° F)
	Storing Temperature	-40 ~ 85° C (-40 ~ 185° F)
	Dimensions	135 x 69 mm
Safety	CE/FCC	

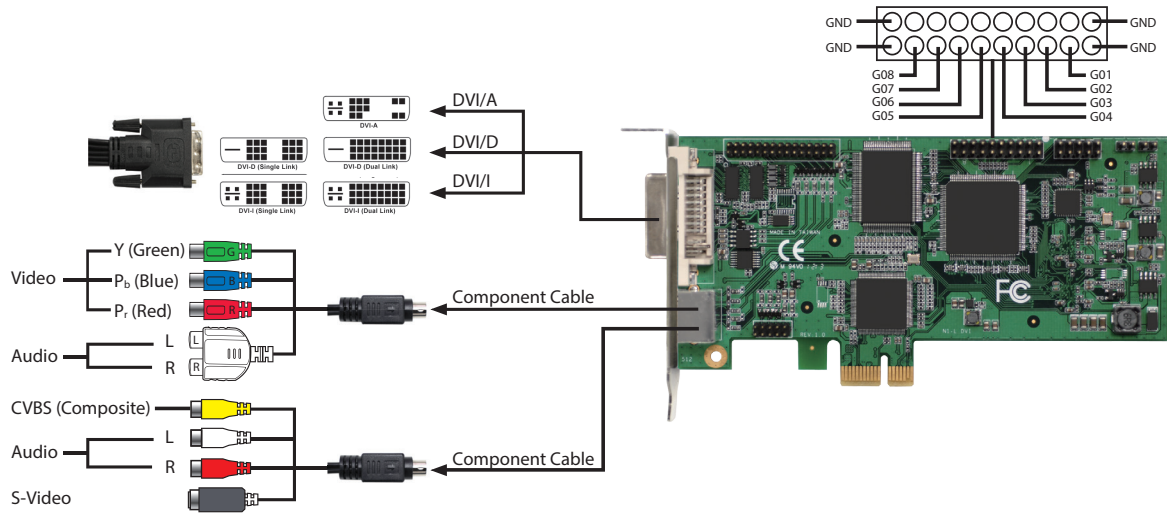
*For high quality full HD video recording at max. recording rate, Intel Sandy Bridge processor or above and Win7 OS are recommended

Versatile SDK Support (For Windows Only)

Advantech provides software development kit (SDK), a set of development tools that allows a software engineer to integrate video capture modules into different types of system. Functions include video recording, playback and instant preview.

- Software Library
- SDK Manual
- Sample Program

Connection Diagram



Ordering Information

Part Number	Description
DVP-7012HE	1-ch H.264/MPEG4 Low-Power PCIe Video Capture Card with SDK

Packing List

Item	Amount
DVP-7012HE Capture Card	1 (piece)
Watchdog Cable	1 (piece)
YPbPr Cable	2 (piece)
S/AV Cable	2 (piece)
Short Iron (One to One)	2 (piece)