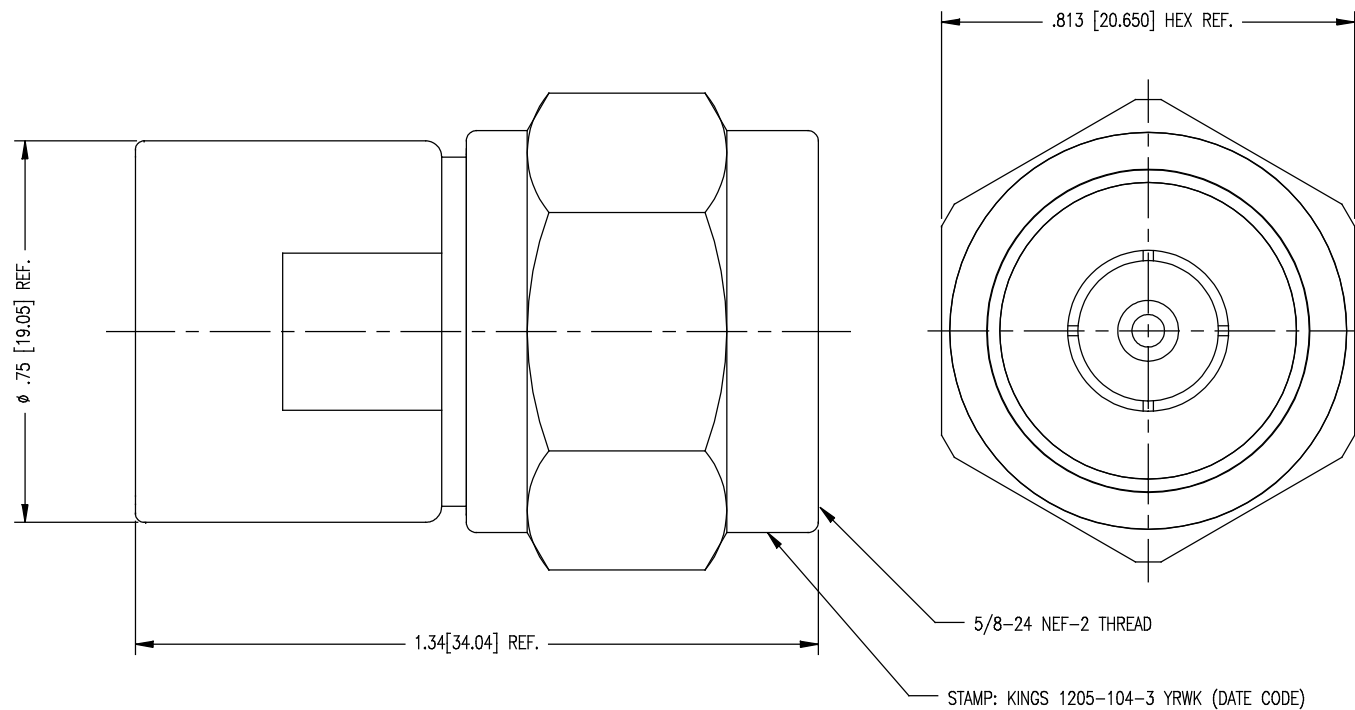


DASH NO.	M CODE	MADE FROM
----------	--------	-----------

GSD

1205-104-3



REVISIONS	
ISSUE	CHANGES
0	ER 39881 DRK 04/11/07

SCALE 4:1

APPROX SURFACE AREA

USED ON

REF: EQR 1166

N, PLUG

DRAWN DRK DATE 03/29/07

DESIGN DRK DATE 03/29/07

APPR. DATE

**KINGS**  
ELECTRONICS CO., INC.  
ROCK HILL, SOUTH CAROLINA 29730

1205-104-3

GSD

NOTES:

- FOR USE WITH RG-8, 9, 213 & 214/U CABLE GROUPS, WITH ADDITIONAL CABLE RETAINING COMPONENTS.
- INTERFACE PER MIL-STD-348, FIG 304-1.
- MATERIALS:
  - INSULATORS: TEFLON, ASTM-D4894
  - CONTACT: BRASS, ASTM-B16.
  - GASKETS: SILICONE RUBBER, A-A-59588
  - C-RING } PHOSPHOR BRONZE, ASTM-B103
  - OUTER CONTACT }
  - ALL OTHER METAL PARTS: STAINLESS STEEL, SAE-AMS-QQ-S-763

- FINISHES:
  - CENTER CONTACT: GOLD PLATE, ASTM-B488
  - OUTER CONTACT: NICKEL PLATE, SAE-AMS-QQ-N-290
  - ALL OTHER METAL PARTS: STAINLESS STEEL PASSIVATION, ASTM-A967
- ELECTRICAL CHARACTERISTICS:
  - NOMINAL IMPEDANCE: 50 OHMS
  - WORKING VOLTAGE: 1000 VRMS
  - FREQUENCY RANGE: DC TO 11 GHz.