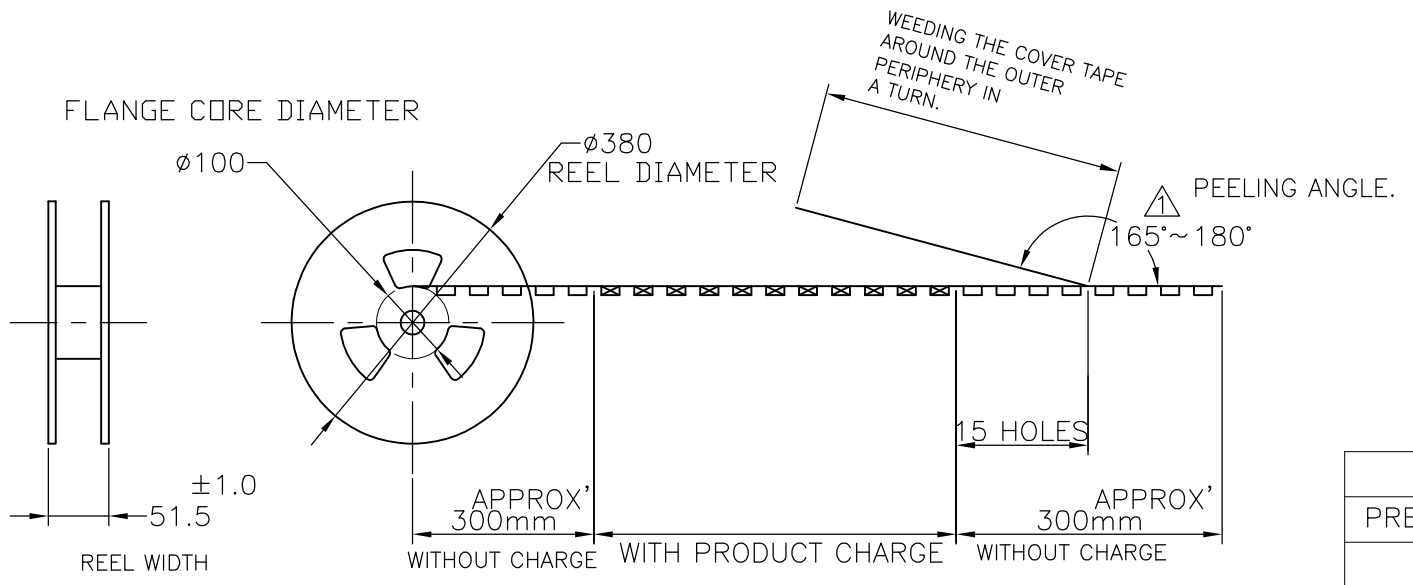
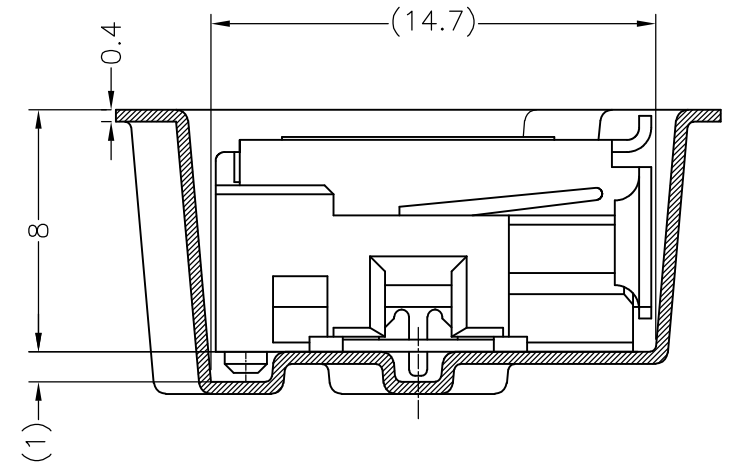
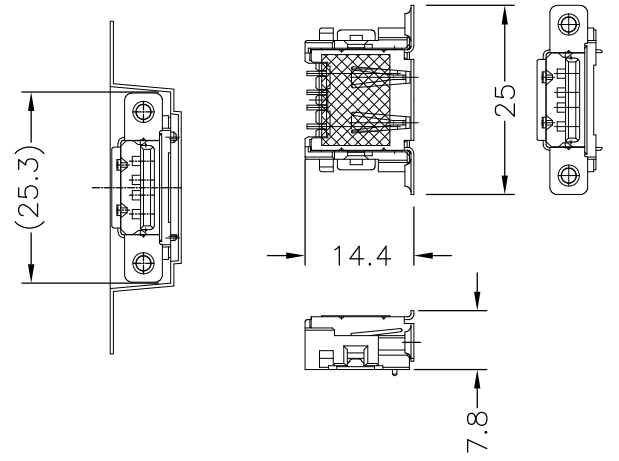
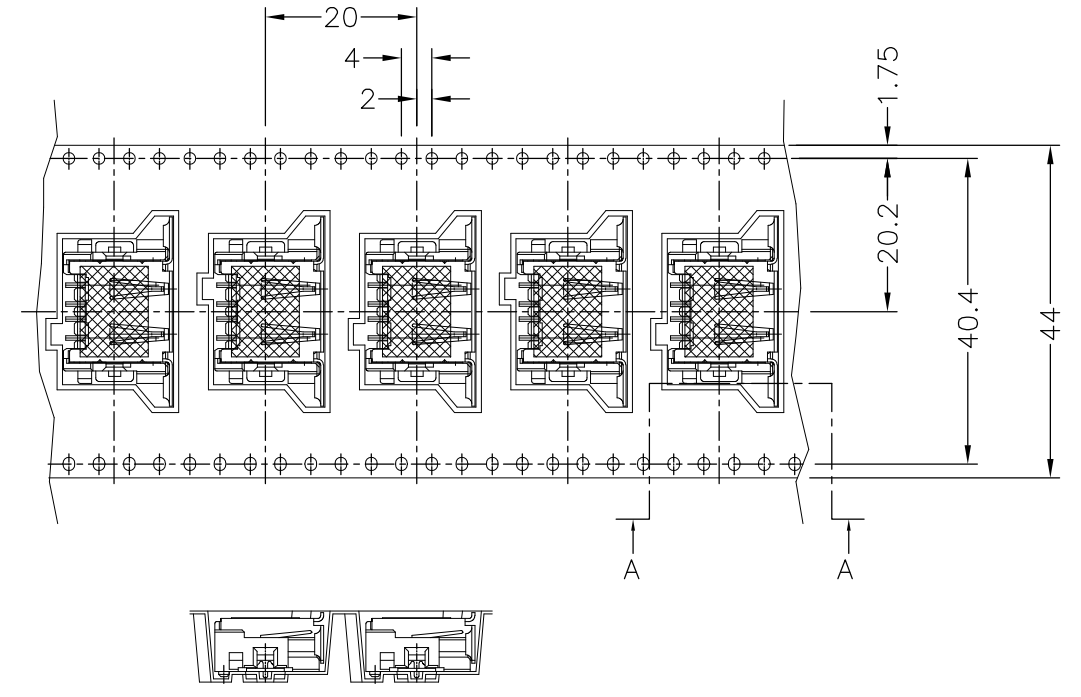


THIS DRAWING IS UNPUBLISHED. RELEASED FOR PUBLICATION
 © COPYRIGHT - By - ALL RIGHTS RESERVED.

LOC	DIST	REVISIONS					
ES	00	P	LTR	DESCRIPTION	DATE	DWN	APVD
		P		REVISED PER ECO-11-005033	28MAR11	RK	HMR

DIRECTION OFF TOP OF REEL →



5353929-1,2^{△2}

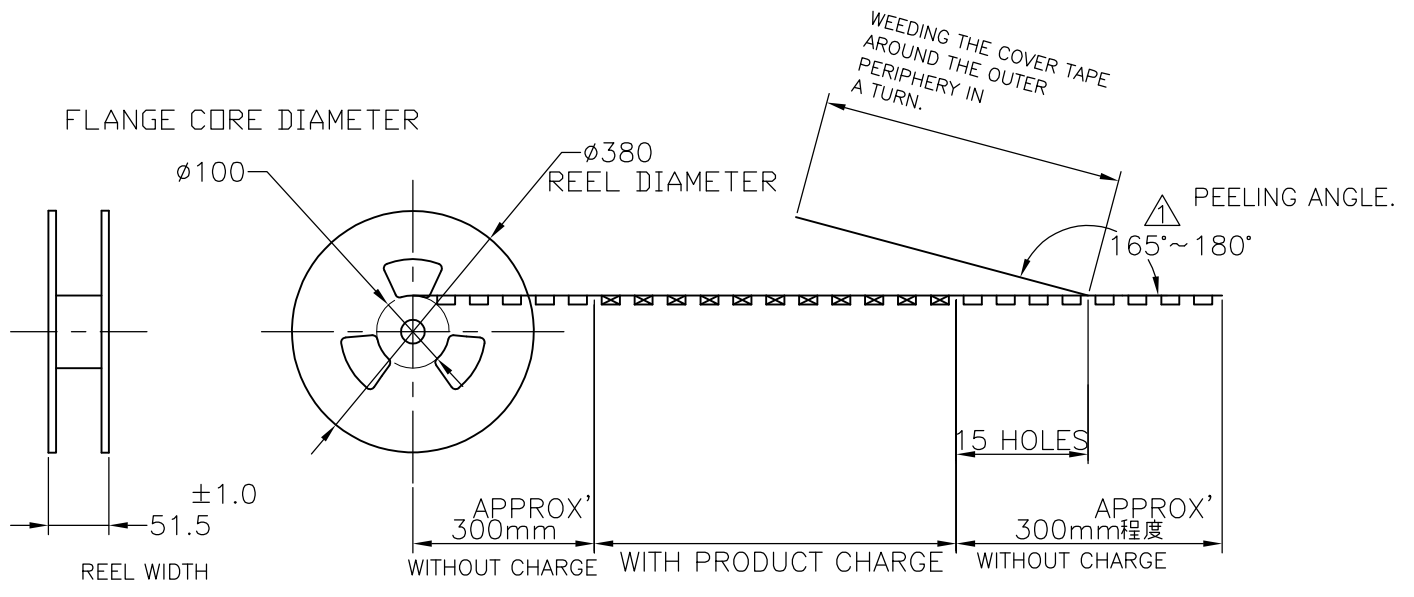
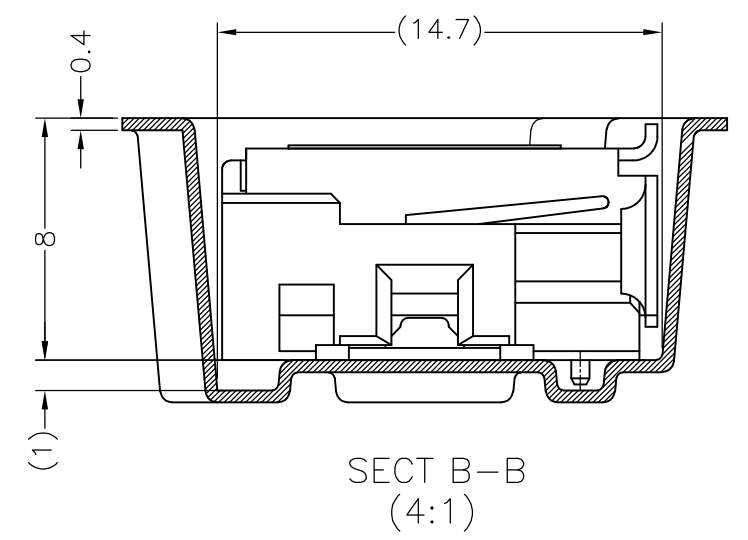
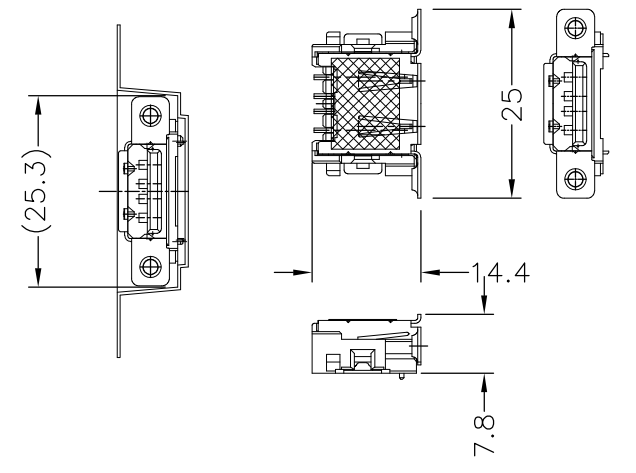
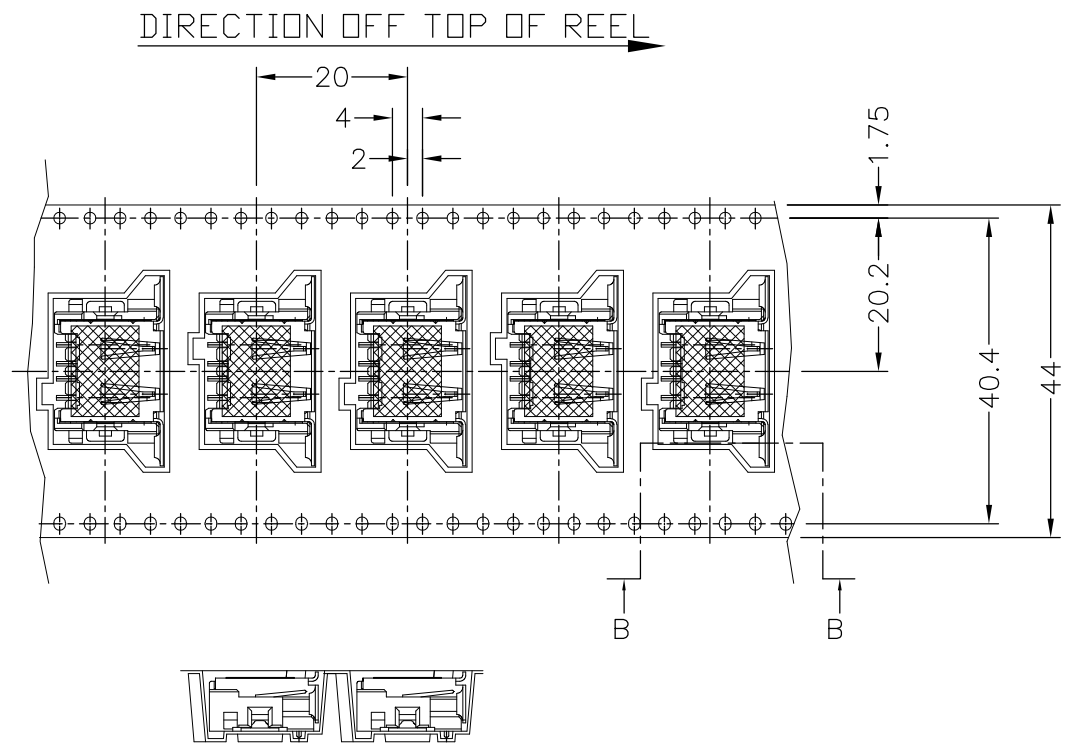
Notes
 1. PRELIMINARY PRODUCT DOES NOT BE PROMISED MANUFACTURE POSITIVELY.
^{△2} OBSOLETE PARTS: OBSOLETE CIS STREAMLINING PER D.RENAUD/D.SINISI

PRODUCING	BLACK	350	4	1-6674429-2	5353929-6
PRELIMINARY NOT FOR PRODUCTION	WHITE	350	4	1-6674429-1	^{△2} 5353929-5
PRODUCING	BLACK	350	4	1-5353583-4	5353929-4
PRELIMINARY NOT FOR PRODUCTION	WHITE	350	4	1-5353583-3	^{△2} 5353929-3
PRELIMINARY NOT FOR PRODUCTION	BLACK	350	4	1-5353583-2	^{△2} 5353929-2
PRODUCING	WHITE	350	4	1-5353583-1	5353929-1
TOOLING STATUS	HOUSING COLOR	QTY	POS	CONN. P/N	PART NO.

THIS DRAWING IS A CONTROLLED DOCUMENT.		DWN	J.JIANG	23MAR04	STE TE Connectivity
DIMENSIONS: MM		CHK	S.YAO	23MAR04	
TOLERANCES UNLESS OTHERWISE SPECIFIED:		APVD	T.SASAKI	23MAR04	
0 PLC ± 0.3 1 PLC ± 2 PLC ± 3 PLC ± 4 PLC ± ANGLES ± 5°		NAME		EMBOSS ASSY	
MATERIAL		PRODUCT SPEC		STD TYPE USB CONN. REC. WITH COVER TYPE	
FINISH		APPLICATION SPEC		108-5563	
WEIGHT		SIZE	A3	CAGE CODE	00779
CUSTOMER DRAWING		DRAWING NO	C-5353929		RESTRICTED TO
SCALE		1:1		SHEET	1 OF 3
REV		P			

THIS DRAWING IS UNPUBLISHED. RELEASED FOR PUBLICATION
 © COPYRIGHT - By - ALL RIGHTS RESERVED.

LOC	DIST	REVISIONS					
ES	00	P	LTR	DESCRIPTION	DATE	DWN	APVD
		-		SEE SHEET 1	-	-	-



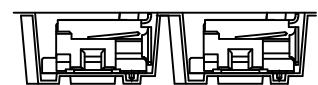
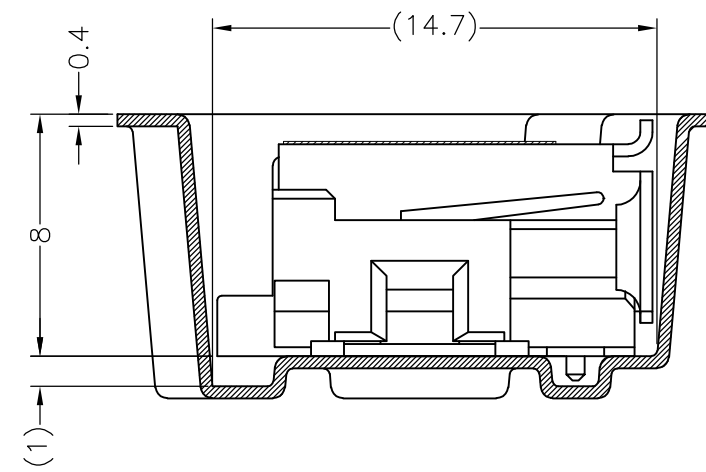
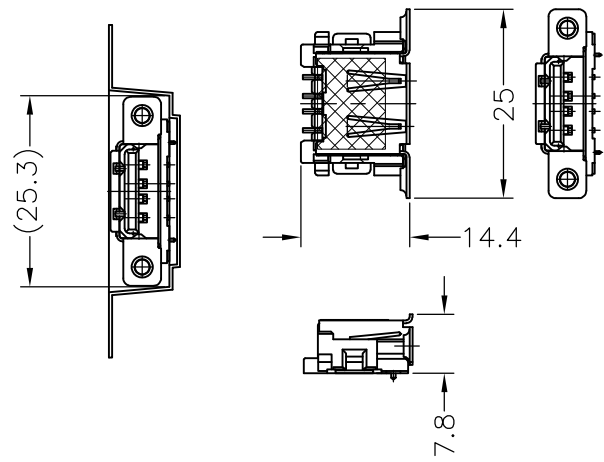
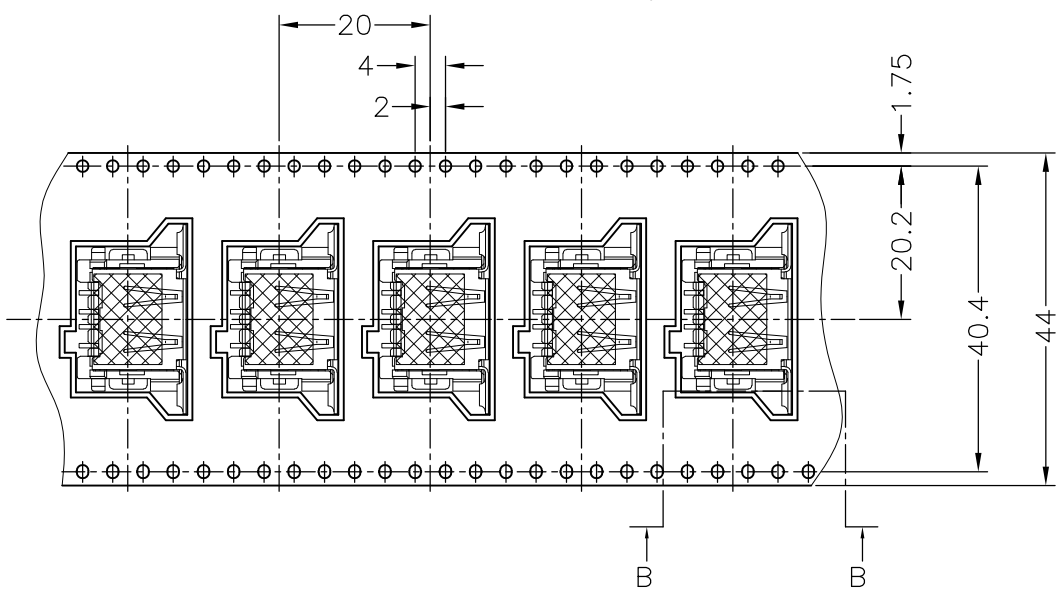
5353929-²3,4

THIS DRAWING IS A CONTROLLED DOCUMENT.		DWN				
DIMENSIONS: MM		CHK				
TOLERANCES UNLESS OTHERWISE SPECIFIED:		APVD				
0 PLC ± 0.3 1 PLC ± 2 PLC ± 3 PLC ± 4 PLC ± ANGLES ± 5°		NAME				
MATERIAL		PRODUCT SPEC	EMBOSS ASSY			
FINISH		APPLICATION SPEC	STD TYPE USB CONN. REC. WITH COVER TYPE			
		WEIGHT	SIZE	CAGE CODE	DRAWING NO	RESTRICTED TO
			A3	00779	C-5353929	-
CUSTOMER DRAWING			SCALE	SHEET	REV	
			1:1	2 OF 3	P	

THIS DRAWING IS UNPUBLISHED. RELEASED FOR PUBLICATION
 © COPYRIGHT - By - ALL RIGHTS RESERVED.

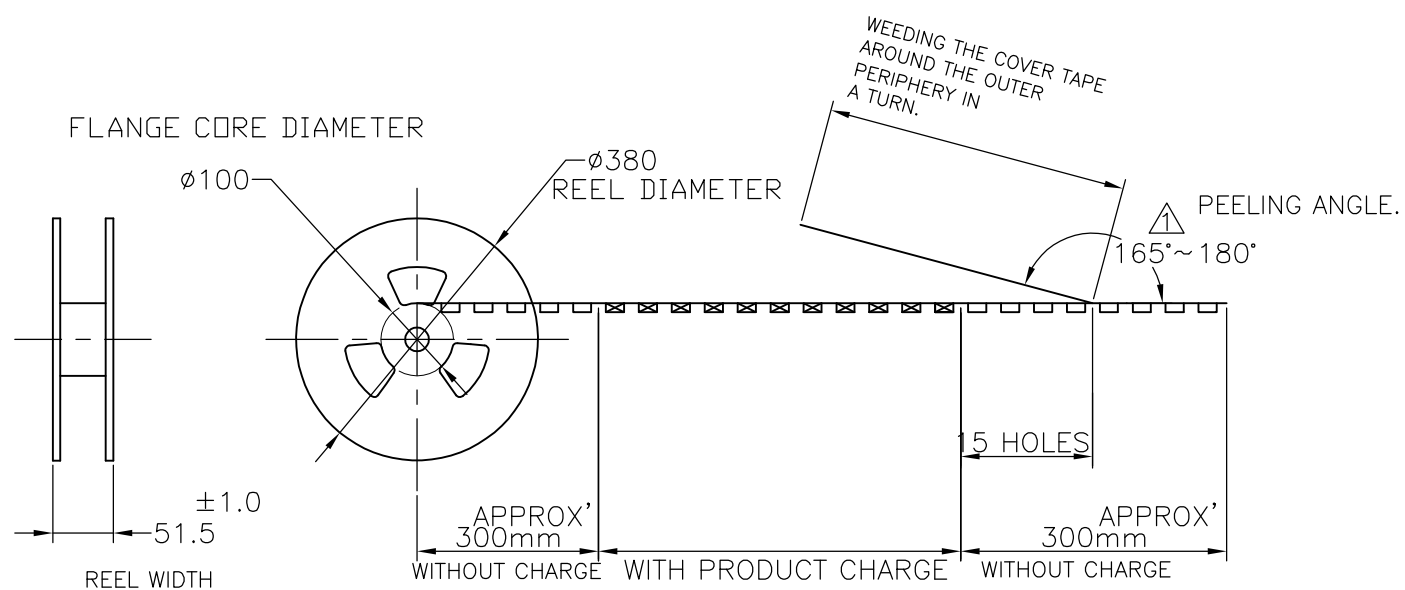
LOC ES	DIST 00	REVISIONS			
P	LTR	DESCRIPTION	DATE	DWN	APVD
-	-	SEE SHEET 1	-	-	-

DIRECTION OFF TOP OF REEL →



CONNECTOR DETAIL

SECT B-B
(4:1)



5353929-²~~5~~,6

THIS DRAWING IS A CONTROLLED DOCUMENT.		DWN	TE Connectivity NAME EMOSS ASSY STD TYPE USB CONN. REC. WITH COVER TYPE					
DIMENSIONS: MM		CHK				SIZE	CAGE CODE	DRAWING NO
		APVD				A3	00779	C-5353929
TOLERANCES UNLESS OTHERWISE SPECIFIED: 0 PLC ± 0.3 1 PLC ± 2 PLC ± 3 PLC ± 4 PLC ± ANGLES ± 5°		PRODUCT SPEC				RESTRICTED TO		
MATERIAL		FINISH	WEIGHT	CUSTOMER DRAWING				
			SCALE	SHEET	REV			
			1:1	3 OF 3	P			