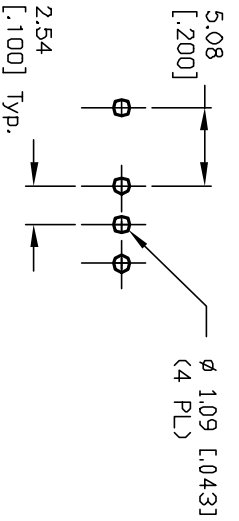
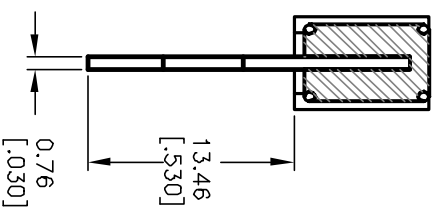
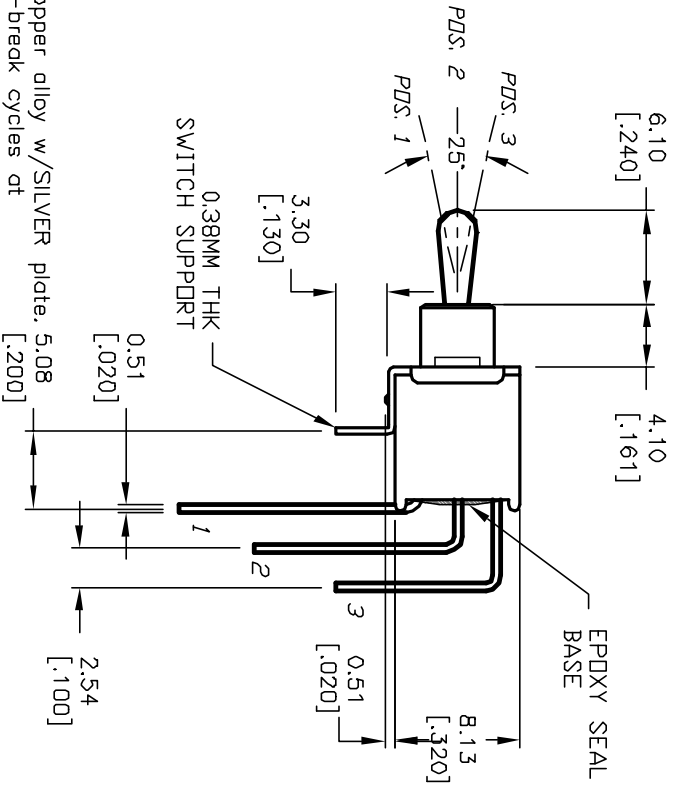
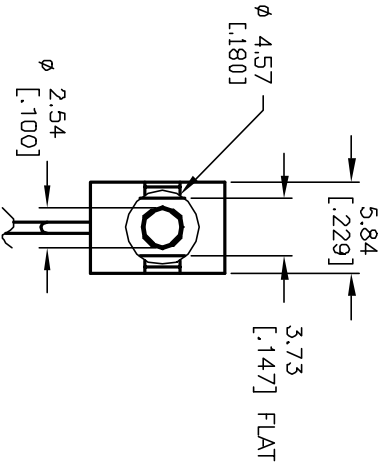


CIRCUIT: SPDT
CONTACT CONFIGURATION

SWITCH FUNCTION		
PDS. 1	PDS. 2	PDS. 3
DN	OFF	DN
2-3	OPEN	2-1



RECOMMENDED P.C.B. LAYOUT



NOTES:

1. ALL DIMENSIONS IN MM [INCH]
2. GENERAL TOLERANCE: X.X=±0.4 X.XX=±0.25
3. TERM. NOS. FOR REF. ONLY
4. RATING: 3@120VAC or 28V DC; 1@250VAC.
5. FIXED TERM. & MOVING CONTACT: Copper alloy w/SILVER plate. @see level.
6. ELECTRICAL LIFE: 50,000 make-and-break cycles at full load.
7. INSULATION RESISTANCE: 1000M ohm min.
8. DIELECTRIC STRENGTH: 1000V RMS min. @see level.
9. OPERATING TEMP.: -30°C to 85°C

E-SWITCH®

REVISED AND REDRAWN		TITLE	
B	12164	5/20/01	CJB
REV.	ECN No.	DATE	CHKD
DESCRIPTION		SCALE	DATE
2004 WSP-3 T2 A1 M7 Q E		2:1	5/20/02
DR		DWG	REV
CJB		T201219	B

THE INFORMATION CONTAINED IN THIS DOCUMENT IS PROPRIETARY TO E-SWITCH AND IS NOT TO BE COPIED OR TRANSMITTED