

DFK-PC 6-16/ 8-G-10,16

Order No.: 1701511

The figure shows a 5-pos. version of the product

<http://eshop.phoenixcontact.de/phoenix/treeViewClick.do?UID=1701511>Header, Nominal current: 76 A, Rated voltage (III/2): 1000 V, Pitch:
10.16 mm, Color: green, Assembly: Soldering

Commercial data

GTIN (EAN)	4046356030588
Note	Made-to-order
sales group	E543
Pack	10 pcs.
Customs tariff	85366990
Weight/Piece	0.04195 KG
Catalog page information	Page 428 (CC-2009)

Product notes

WEEE/RoHS-compliant since:
11/25/2004

<http://www.download.phoenixcontact.com>
Please note that the data given here has been taken from the online catalog. For comprehensive information and data, please refer to the user documentation. The General Terms and Conditions of Use apply to Internet downloads.

Technical data

Dimensions / positions

Pitch	10.16 mm
Dimension a	71.12 mm
Number of positions	8
Pin dimensions	1,0 x 1,2 mm
Pin spacing	10.16 mm

Hole diameter	1.7 mm
Technical data	
Insulating material group	I
Rated surge voltage (III/3)	8 kV
Rated surge voltage (III/2)	8 kV
Rated surge voltage (II/2)	6 kV
Rated voltage (III/2)	1000 V
Rated voltage (II/2)	1000 V
Connection in acc. with standard	EN-VDE
Nominal current I_N	76 A
Nominal voltage U_N	1000 V
Maximum load current	76 A
Insulating material	PA
Inflammability class acc. to UL 94	V0
Nominal voltage, UL/CUL Use Group B	300 V
Nominal current, UL/CUL Use Group B	66 A
Nominal voltage, UL/CUL Use Group C	300 V
Nominal current, UL/CUL Use Group C	66 A
Nominal voltage, UL/CUL Use Group D	600 V
Nominal current, UL/CUL Use Group D	5 A

Certificates / Approvals



Certification CB, CCA, CUL, SEV, UL

CUL

Nominal voltage U_N	600 V
Nominal current I_N	5 A

UL

Nominal voltage U_N	600 V
Nominal current I_N	5 A

Accessories

Item	Designation	Description
------	-------------	-------------

General

1970016	CS-IPC 16/ 6	Coding pin, serves to ensure correct polarization on the PCB during manual mounting
1205150	SZK PH1	Screwdriver, suitable for Phillips screws Phillips-Recess, size: 1

Plug/Adapter

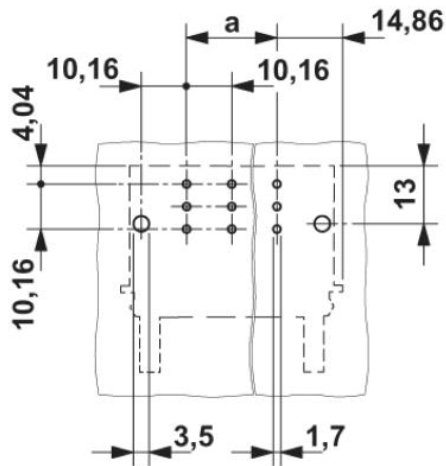
1600027	CP-HCC 4	Coding profile, Color: red
---------	----------	----------------------------

Tools

1205040	SZS 0,6X2,5	Screwdriver, bladed, matches SFL screw socket strips, blade: 0.6 x 2.5 mm
---------	-------------	---------------------------------------------------------------------------

Diagrams/Drawings

Drilling plan/solder pad geometry



Diagram

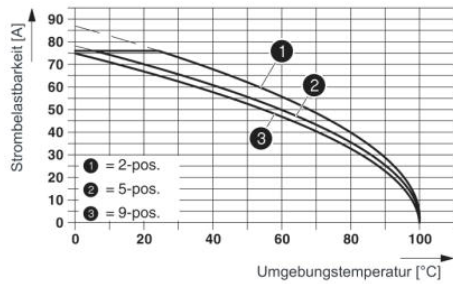


Illustration shows the derating curve for plugs PC 16/...-ST-10,16 in combination with header DFK-PC 6-16/...-G-10,16.

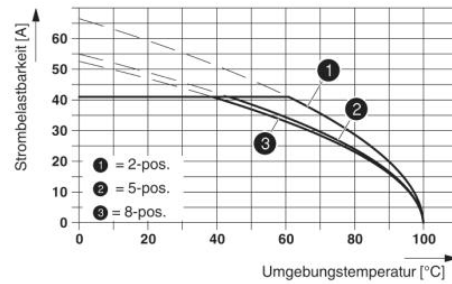
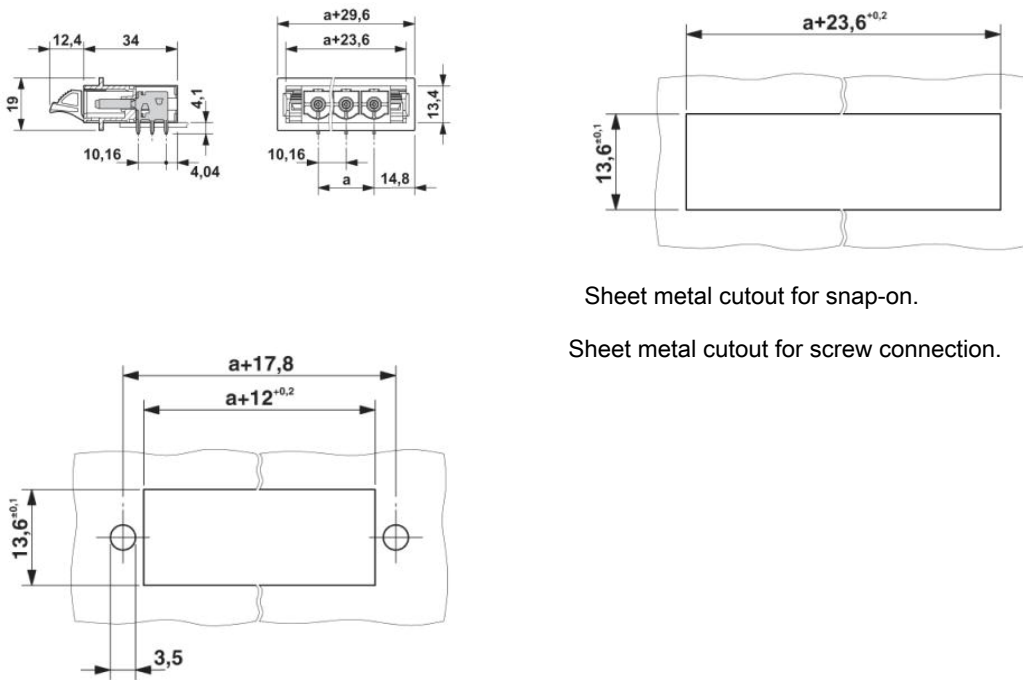


Illustration shows the derating curve for plugs PC 6/...-ST-10,16 in combination with header DFK-PC 6-16/...-G-10,16.

Dimensioned drawing



Sheet metal cutout for snap-on.

Sheet metal cutout for screw connection.

Address

PHOENIX CONTACT Inc., USA
586 Fulling Mill Road
Middletown, PA 17057, USA
Phone (800) 888-7388
Fax (717) 944-1625
<http://www.phoenixcon.com>



© 2010 Phoenix Contact
Technical modifications reserved;