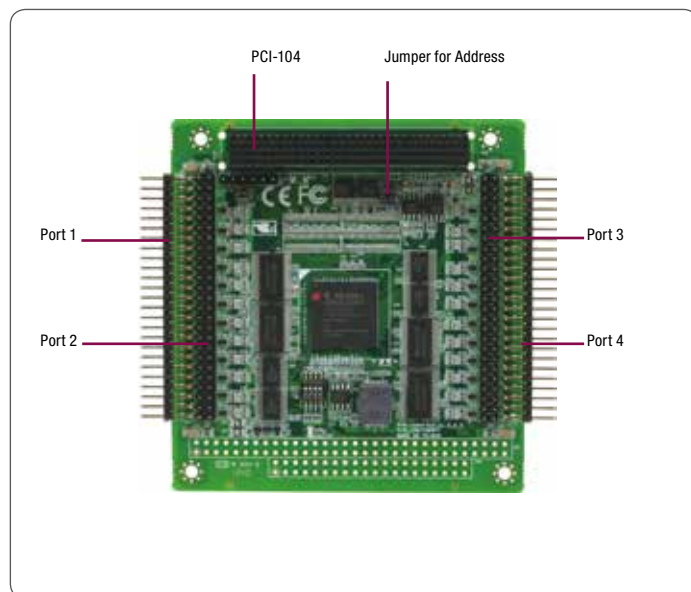


96-CH PCI-104 Digital I/O Module



Features

- PFM-T096P DAQ Modules
- 96-ch PCI-104 Digital I/O Module
- 96-Channel Digital I/O
- Interrupt Features Support
- Counter Feature Support
- PCI-104 Form Factor
- PCI-104 Interface
- SDK & Utility Ready

Specifications

| System | | |
|-----------------------|---|---|
| Chipset | XILINX XC3S200AN BGA 256, SN74ALVC245 | |
| Host Interface | PCI-104 | |
| Digital I/O | 96-Channel Digital I/O (Bi-Directional) Software Configurable Input and Output | |
| | Compatibility | 5V/TTL |
| | Output Capability | Low: $\leq 0.55V$, sink 24mA High: $\geq 3.7V$, source 24mA |
| Input Capability | Low: $\leq 0.8V$, sink 24mA High: $\geq 2V$, source 24mA | |
| | Interrupt mode | Disable: No interrupt Edge: Falling or Rising edge, an interrupt occurs Level: Low or High level, interrupt occurs repeatedly Change State: Data status changed, an interrupt occurs Pattern Match: Pattern matching, interrupt occurs. |
| Counter | Up Count | 0~65535 |
| | Down Count | |
| Power Requirement | +5V through PCI-104 connector | |
| System Cooling | Fanless | |
| Mechanical | | |
| Dimension | PC/104 Board – 90mm x 96mm | |
| I/O Connectors | 4 x 50-pin box header | |
| Gross Weight | 0.13 lb (0.06 kg) | |
| Net Weight | 0.66 lb (0.3 kg) | |
| Certification | CE/FCC | |
| Environmental | | |
| Operation Temperature | 32°F ~ 140°F (0°C ~ 60°C) | |
| Storage Temperature | -40 °F ~ 176 °F (-40 °C ~ 80 °C) | |
| Operation Humidity | 0% ~ 90% relative humidity, non-condensing | |
| MTBF | — | |
| OS support | Windows® XP, Windows® 7, Linux Fedora | |



Packing List

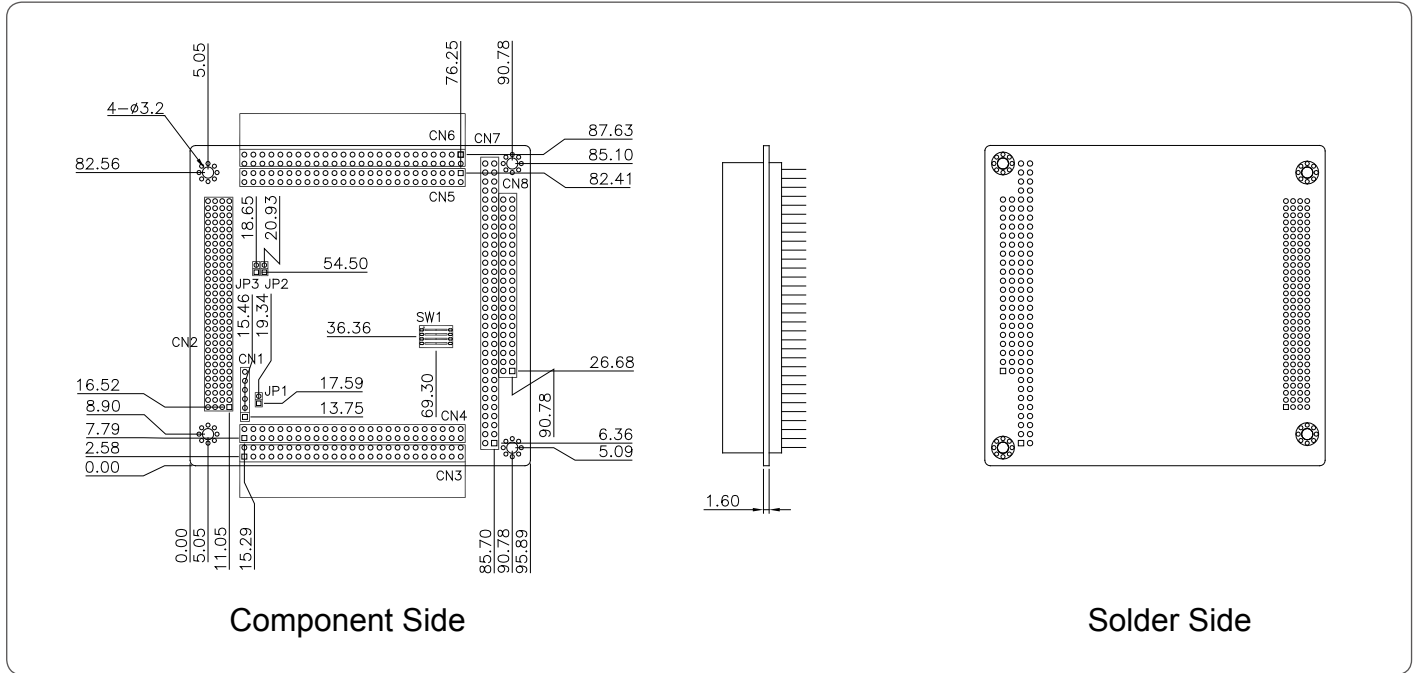
- Product CD
- PFM-T096P-A10

Optional Accessories

- 1701500401: 50pin Flat Cable

Dimension

Unit: mm



Ordering Information

- PFM-T096P-A10
96-ch Digital I/O, counter PCI-104 Module