



ALL RIGHTS RESERVED. NO PORTION OF THIS PUBLICATION, WHETHER IN WHOLE OR IN PART CAN BE REPRODUCED WITHOUT THE EXPRESS WRITTEN CONSENT OF SPC TECHNOLOGY.

SPC-F005.DWG

REVISIONS

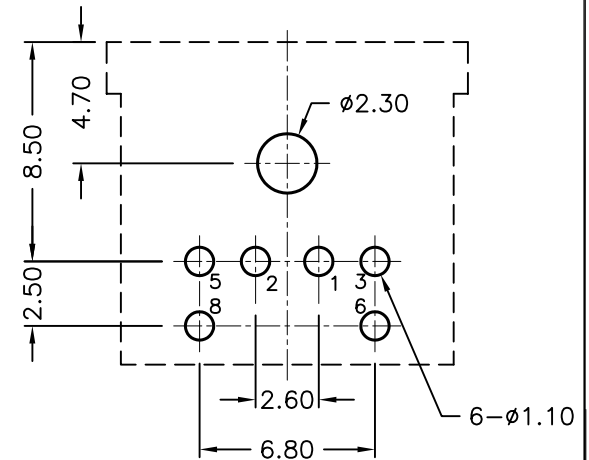
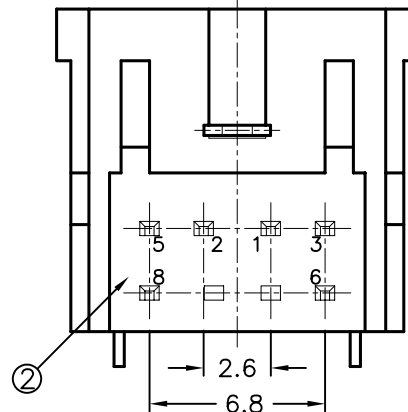
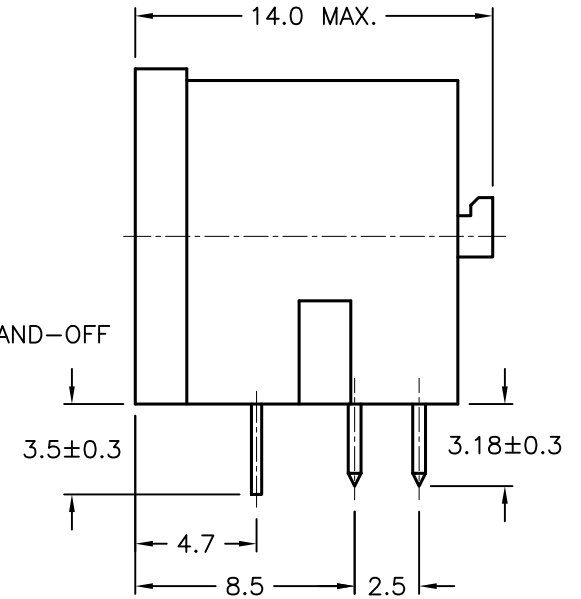
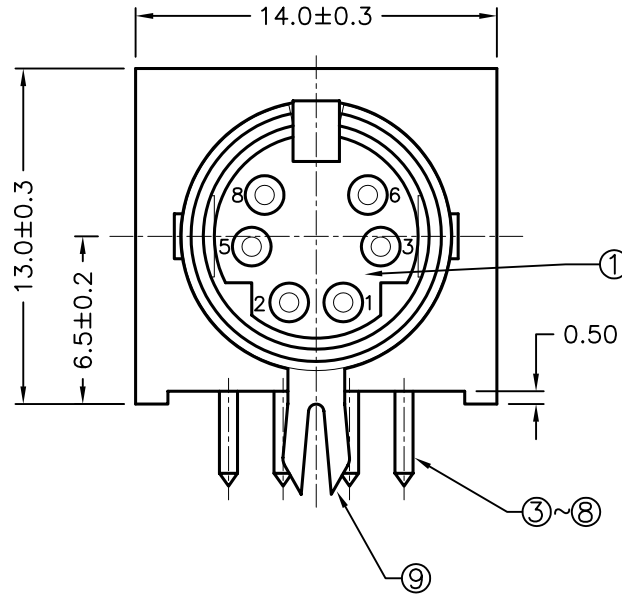
DOC. NO. SPC-F005 * Effective: 7/8/02 * DCP No: 1398

DCP #	REV	DESCRIPTION	DRAWN	DATE	CHECKD	DATE	APPRVD	DATE
1878	A	RELEASED	EO	5/2/06	TL	06/19/06	HO	06/19/06



Specifications:

- 1- Rated Voltage: 12.0 VDC
- 2- Rated Current: 2.0 ADC
- 3- Operating Temperature: -25°C ~ +85°C
- 4- Withstand Force: 500g for 10 Seconds
- 5- Withstand Voltage: 500V @ 50/60 Hz
- 6- Insulation Resistance: 100 Megohm Min
- 7- Housing: Plastic PBT, Black Color, UL94V-0
- 8- Cover: Plastic PBT, Black Color, UL94V-0
- 9- Contacts: PBS, 20T Gold Flash @ Contact Tin @ Soldering Lead
- 10- Center Ground: Brass, 40T Ni or Au Plating



ITEM	NAME	MATERIAL	FINISH	Q'TY	NOTE
9	CENTER GROUND	BRASS	Ni	1	40T
8	CONTACT#8	PBS	Au+Tin	1	20T
7	CONTACT#6	PBS	Au+Tin	1	20T
6	CONTACT#5	PBS	Au+Tin	1	20T
5	CONTACT#3	PBS	Au+Tin	1	20T
4	CONTACT#2	PBS	Au+Tin	1	20T
3	CONTACT#1	PBS	Au+Tin	1	20T
2	SPACER	PBT	15	1	UL94V-0
1	HOUSING	PBT	15	1	UL94V-0

DISCLAIMER:
ALL STATEMENTS AND TECHNICAL INFORMATION CONTAINED HEREIN ARE BASED UPON INFORMATION AND/OR TESTS WE BELIEVE TO BE ACCURATE AND RELIABLE. SINCE CONDITIONS OF USE ARE BEYOND OUR CONTROL, THE USER SHALL DETERMINE THE SUITABILITY OF THE PRODUCT FOR THE INTENDED USE AND ASSUME ALL RISK AND LIABILITY WHATSOEVER IN CONNECTION THEREWITH.

TOLERANCES:
UNLESS OTHERWISE SPECIFIED
±0.2

DRAWN BY:	DATE:
EKLAS ODISH	5/2/06
CHECKED BY:	DATE:
THOMAS LEE	06/19/06
APPROVED BY:	DATE:
HISHAM ODISH	06/19/06

DRAWING TITLE: MINI-DIN JACK, 6 PINS NON-SHIELD, PC BOARD MOUNT			
SIZE	DWG. NO.	ELECTRONIC FILE	REV
A	SPC15538	82K7819.DWG	A
SCALE: NTS		U.O.M.: millimeters	SHEET: 1 OF 1