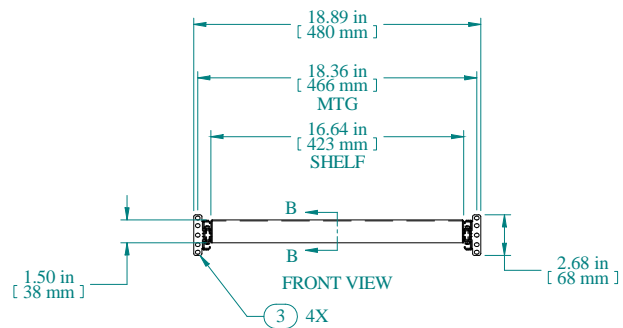
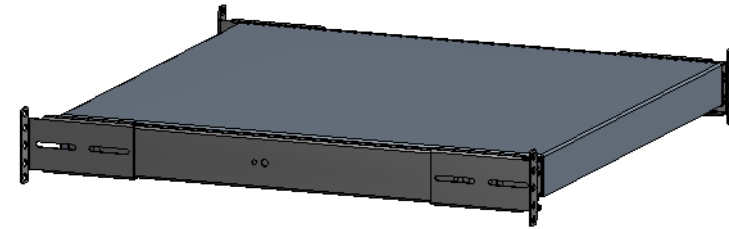
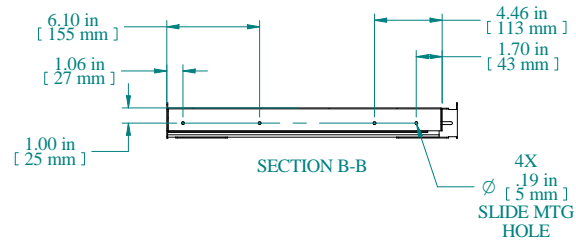


TOP VIEW



FRONT VIEW



SECTION B-B

Item Number	Title	Quantity
1	RS - SOLID SHELF	1
2	SLIDE - 18" FULL TRAVEL	2
3	SLIDE MTG BRACKET	4

**PART NUMBERS**

RSUS1918BK1	PAINTED BLACK TEXTURED
RSUS1918CG1	PAINTED GREY/BEIGE TEXTURED

**NOTES**

Maximum Weight 120 lb  
 Some Assembly Required  
 Slide Assembly Hardware Omitted for Clarity

Data subject to change without notice. Isometric drawing not to scale.



**HAMMOND  
MANUFACTURING™**  
 www.hammondmfg.com  
 PART NO. RSUS1918