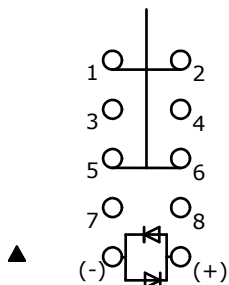
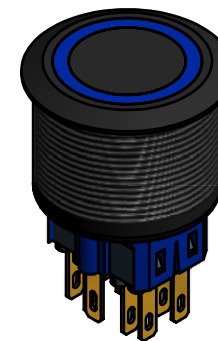
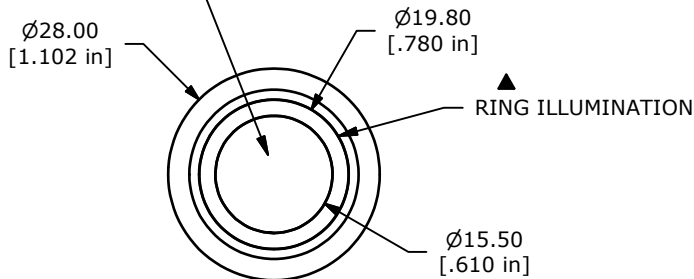


PANEL CUTOUT
MAX. PANEL THICKNESS 10mm

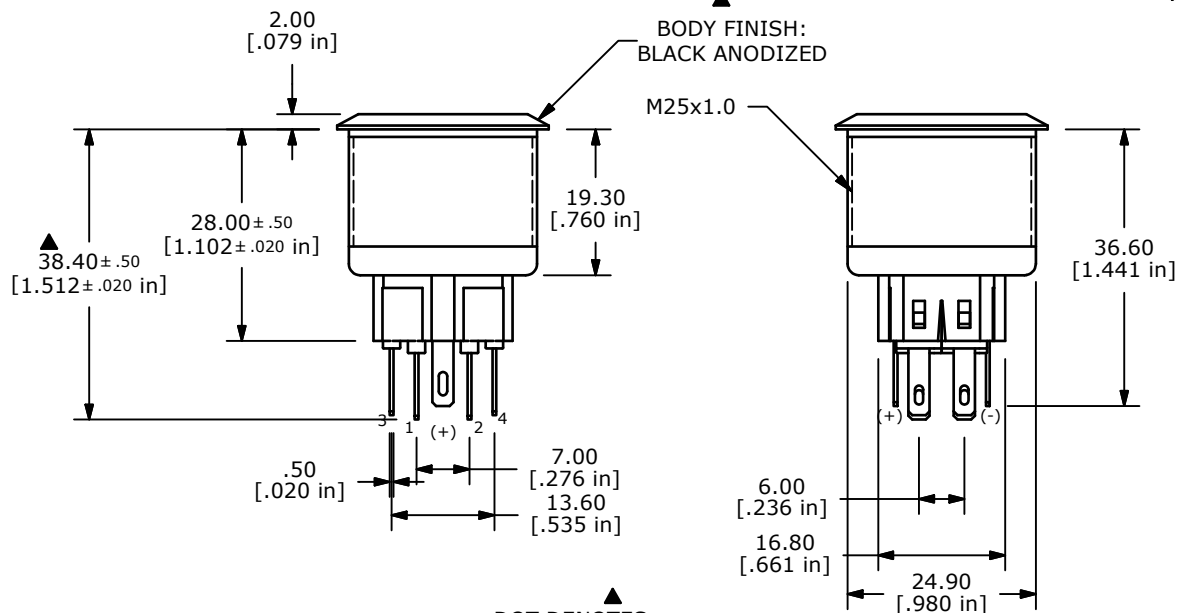
SWITCH FUNCTION	
POS. 1	POS. 2
1-2 5-6	(3-4) (7-8)

(ON) = MOMENTARY

ACTUATOR FINISH:
BLACK ANODIZED



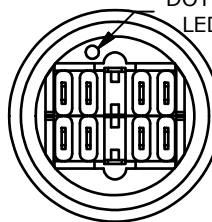
DPDT
CONTACT CONFIGURATION



BODY FINISH:
BLACK ANODIZED

M2.5x1.0

DOT DENOTES
LED COLOR



- NOTE:
- ALL DIMENSIONS IN MM [INCH]
 - GENERAL TOLERANCE: X.X = ± 0.4
X.XX = ± 0.25
 - TERMINAL NOS. FOR REF. ONLY
 - FUNCTION: SPDT
 - RATING: 2A @ 48VDC
 - ILLUMINATION VOLTAGE: 2.8V FORWARD, 2.8V REVERSE
 - CONTACT RESISTANCE: 50mΩ MAX. @ 1A 12VDC
 - INSULATION RESISTANCE: 1,000MΩ @ 500VDC
 - DIELECTRIC STRENGTH: 2,000VAC MIN. FOR 1 MINUTE
 - ELECTRICAL LIFE: 50,000 CYCLES
 - OPERATING TEMPERATURE: -20°C TO 55°C
 - INGRESS PROTECTION: IP65
 - SUPPLIED HARDWARE: O-RING AND HEXNUT
 - ▲ DENOTES CRITICAL PARAMETER
 - 2002/95/EC (ROHS) COMPLIANT
 - ▲ ILLUMINATION COLOR: BLUE (FORWARD), BLUE (REVERSE)
 - ▲ CONTACT PLATING: SILVER



TITLE PV8F2V011-341

A	21793	RELEASE FOR PRODUCTION	3/3/15	rc
REV	PCR NO	DESCRIPTION	DATE	BY

SCALE	DATE	DR	DWG	REV
1:1	3/3/2015	rc	52-PV8F2V011341	A

THE INFORMATION CONTAINED IN THIS DOCUMENT IS PROPRIETARY TO E-SWITCH AND IS NOT TO BE COPIED OR TRANSFERRED