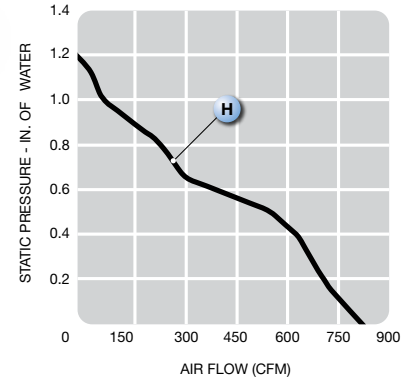
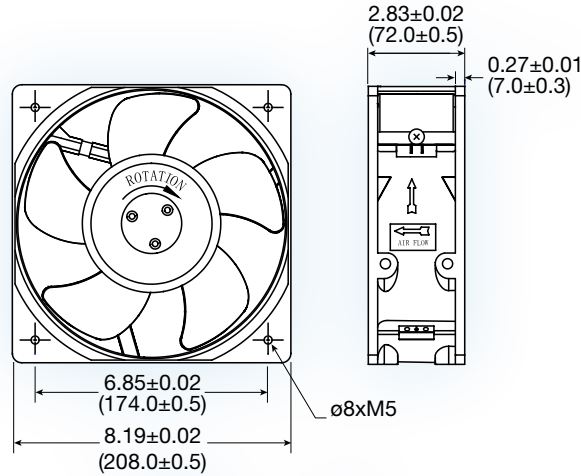


MM2072 series

**(208 x 208 x 72 mm)**

8.19 x 8.19 x 2.83 inches

Construction: magnesium alloy impeller & frame

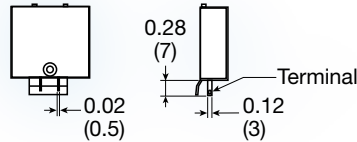
Bearing option: ball bearing

Connection: terminal or AWG 18 lead wire

Frame: flanged

Protection: thermal

Options: tachometer output or locked rotor alarm signal



Model No.	Rated Voltage V	Current mA		Speed RPM	Air Volume		Max. Static Pressure (H ₂ O)		Sound Noise dBa	Weight kg
		24	48		M ³ /Min.	CFM	MM	INCH		
MM2072H	24/48	5000	2800	3,600	23	825	30.48	1.2	65	1.55